

TO PERFORM.

BUILT TO PERFORM.

AKER

AKER

Full-Strength Bathware Line

PRICE LIST USA

EFFECTIVE DATE **MARCH 17, 2014**



AKER[®]
BY MAAX

Table of Contents

● = NEW PRODUCT ● = KDS SERIES

BUILT TO PERFORM	4
HOW TO USE THIS BOOK	15

MULTI-PIECE UNITS

REFERENCE GUIDE:	
MULTI-PIECE UNITS	22
SUMMARY: MULTI-PIECE UNITS	25

GELCOAT TUB SHOWERS

● KDTS 3260 4P	142012	28
● KDTS 3060 4P	142006	31
● KDTS 2954 4P	142000	34

GELCOAT SHOWERS

● KDS 3460 4P	142042	36
● KDS 3060 4P	142036	39
● KDS 3448 4P	142030	42
● KDS 3636 4P	142024	45
● KDS 3232 4P	142018	48
KD-NAS	141047	51

ACRYLIC TUB SHOWERS

ACTS-3P-3360	141014-S	53
--------------------	----------	----

ACRYLIC SHOWERS

ACSH-3P-60	141054-S	56
ACSH-3P-48	141051-S	58
ACSH-2P-36	141048-S	60
ACKDSH-NA	141059	62

RECOMMENDED DOORS	64
-------------------------	----

ONE-PIECE BATHTUBS

REFERENCE GUIDE:	
ONE-PIECE BATHTUBS	70
SUMMARY: ONE-PIECE BATHTUBS	75

GELCOAT RECTANGULAR BATHTUBS

SBHG-4272	141108	78
SB-3672	141105	80
SBF-3672	141092	82
GT-60	141083	84
GT-4860	141084	86
GT-4260	141082	88
● GT-4260AP	141482	90
SB-4260	141103	92
● TO-4260	141354	94
SB-3660	141101	96
SBA-3660	141080	98
SBF-3660	141089	100
● TO-3660	141352	102
TOF-3260	142014	104
● TO-3260	141350	106
SB-3260	141099	108
SBA-3260	141079	110
SBF-3260	141088	112
TOF-3060	142008	114
● TO-3060 (formerly TO-60)	141078	116
TOF-2954	142002	118
● TO-2954	141077	120

GELCOAT OVAL BATHTUBS

OV-4272	141114	122
SBOO-4272	141110	124
OV-4260	141112	126

DIGITAL VERSION ONLY

Click on the product name or code to go directly to the selected page.

Click on this symbol  at the top of every page in order to get back to the Table of Contents.

OVA-4260	141081	128
OVF-4260	141095	130

GELCOAT CORNER BATHTUBS

GT-6060AP	141121	132
CT-6060	141118	134
CT2-6060	141120	136
CTF-6060	141096	138
CTF2-6060	141097	140
CT-5454	141085	142

ACRYLIC RECTANGULAR BATHTUBS

ACOP-4872	141116	144
ACSB-4872	141115	146
ACHG-4272	141107	148
ACSB-4272	141106	150
ACA-4272	141141	152
ACSB-3672	141104	154
ACA-3672	141139	156
ACA-3666	141138	158
ACSB-4260	141102	160
ACA-4260	141140	162
ACSB-3660	141100	164
ACA-3660	141137	166
ACSB-3260	141098	168
ACA-3260	141087	170
ACA-3060	141086	172

ACRYLIC OVAL BATHTUBS

ACOV-4272	141113	174
ACOO-4272	141109	176
ACRYOO-4272	141144	178
ACOV-4260	141111	180

ACRYLIC CORNER BATHTUBS

ACRYC2-6060	141119	182
-------------------	--------	-----

RECOMMENDED DOORS	184
-------------------------	-----

ONE-PIECE TUB SHOWERS

REFERENCE GUIDE:	
ONE-PIECE TUB SHOWERS	188
SUMMARY: ONE-PIECE TUB SHOWERS	191

GELCOAT TUB SHOWERS

SBW-3672	141006	192
GTW-60	141009	194
GTW-4260	141007	196
GTWT-4260	141008	198
TS 3660	141227	200
SBW-3360	141002	203
TST-3360	105215	206
GB-60	141004	208
CM-60	141000	211
CMT-60	141185	213
TS-3060	141132	215

ACRYLIC TUB SHOWERS

ACTS-60	141145	217
ACTSDM-3360	141015	219
ACTS-3360	141014	222



Table of Contents (cont'd)

RECOMMENDED DOORS	225
-------------------	-----

ONE-PIECE SHOWERS

REFERENCE GUIDE: ONE-PIECE SHOWERS	228
SUMMARY: ONE-PIECE SHOWERS	234

GELCOAT ALCOVE SHOWERS

SHLS/RS-60	141036-R/L	235
S-60	141029	237
SHT-60	141032	239
SHLS/RS-48	141033-L/R	241
S-48	141027	243
NS-48	141026	245
SHRST/LST-48	141035-L/R	247
SHT-48	141031	249
SHW-48	141135	251
S-42	141025	253
SH-4242HR	141157	255
SHT-4242HR	141158	257
SHW-36	141134	259
S-36	141022	261
S-36T	141186	263
SHT-36	141024	265
S-32	141021	267

GELCOAT CORNER SHOWERS

SH-NA	141038	269
SH-NARD	141040	271
SH-RD	141039	273
CORS-36	141041	275

ACRYLIC ALCOVE SHOWERS

ACS/RS/LS/NS-60	141148	277
ACSHDM/RSDM/LSDM/NSDM-60	141055	279
ACSH/RS/LS/NS-60	141054	281
ACS/RS/LS/NS-48	141147	283
ACSHRSDM/LSDM/NSDM-48	141053	285
ACSHRS/LS/NS-48	141051	287
ACSHDM-36	141050	289
ACSH-36	141048	291
ACS-36	141146	293

ACRYLIC CORNER SHOWERS

ACSH-NA	141056	295
ACSH-RD	141057	297

RECOMMENDED DOORS	299
-------------------	-----

SHOWER BASES

REFERENCE GUIDE: SHOWER BASES	304
SUMMARY: SHOWER BASES	305

SHOWER BASES

SP-3660	141074	306
SPS 3460	142044	308
SP-3260	141073	310
SPS 3060	142038	312
SP-3648	141072	314
SPS 3448	142032	316
SP-3448	141071	318

DIGITAL VERSION ONLY

Click on the product name or code to go directly to the selected page.

Click on this symbol  at the top of every page in order to get back to the Table of Contents.

SP-3248	141070	320
SP-3442	141069	322
• SPL-3950	141365	324
SPL 3636	142026	326
SPCN-3636	141076	328
SPL 3232	142020	330
SP-NAS	141075	332

RECOMMENDED DOORS	334
-------------------	-----

CODE COMPLIANT SERIES

CODE COMPLIANT SERIES	339
REFERENCE GUIDE : CODE COMPLIANT SERIES	344
SUMMARY : CODE COMPLIANT SERIES	345

CODE COMPLIANT TUB SHOWER UNIT

• OPTS-6032	141309	346
-------------	--------	-----

CODE COMPLIANT SHOWER UNITS

• OPS-6036-RS	141336	350
• OPS-6036	141294	353
• OPS-6030-RS	141329	356
• OPS-6030	141287	359
• OPS-3636-RS	141321	362
• OPS-3636	141271	366

GENERATION + SERIES

GENERATION + SERIES	371
REFERENCE GUIDE : GENERATION + SERIES	375
SUMMARY : GENERATION + SERIES	376

GENERATION + TUB SHOWER UNIT

• OPTS-6032G-2P	141302	377
-----------------	--------	-----

GENERATION + SHOWER UNITS

• OPS-6034G	141301	380
• OPS-5634G	141286	383
• OPS-4836G	141285	386
• OPS-3636G	141284	389

RECOMMENDED DOORS	392
-------------------	-----

TECHNICAL DRAWINGS

CODE COMPLIANT DRAWINGS	396
GENERATION + DRAWINGS	404

ACCESSORIES

LIST OF ACCESSORIES	409
ACCESSORIES - OUTLOOK PLUS	412

Table of Contents (cont'd)

DIGITAL VERSION ONLY

Click on the product name or code to go directly to the selected page.

Click on this symbol  at the top of every page in order to get back to the Table of Contents.

GENERAL INFORMATION

COLOR CHART	418
MAINTENANCE	419
TERMS, CONDITIONS AND WARRANTIES	420
RG/DA REQUEST FORM	427
NUMERIC INDEX	431

“My reputation is the quality of work I do
and my reliability to my customers.”



“My consumers are looking for
higher styles and designs.”

“Help make me different,
so consumers see me different.”

YOU DEMAND NOTHING BUT THE BEST.

SO DO WE.



Your credibility is on the line every day, at every installation. Ours is too.

We haven't earned the trust of the trade for more than 40 years by cutting corners. We specialize in building high-performance, long-lasting bathware that has a history of satisfying even the most demanding contractor, as well as their customers.

Getting it right the first time is just how we work, and it pays off for you — with reduced callbacks and efficient installations. Now as a part of MAAX, AKER is even better equipped to continue its heritage. Industry-leading manufacturing standards, a damage-free promise, and the **best customer service practices** in the industry — that's our **Full-Strength** approach, and it's the only way we do business. When our customers demand nothing but the best, so do we.



Made and supported in the USA.

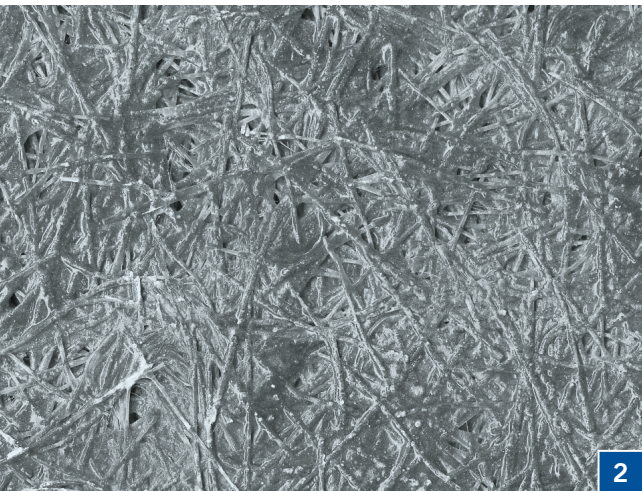
With state-of-the-art production plants in Indiana, Georgia and West Virginia, AKER by MAAX has proudly made its products in the USA since 1967. Our vast distribution network ensures the industry's fastest lead times, and our automated production and coating technology assures precise and consistent quality. Plus, our USA-based customer service is just one more way we fulfill our mission to offer the best support while making it **easy to do business with us.**



1

PERFORMANCE FROM EVERY ANGLE.

Top, bottom, front and back — you'll see how every part of our bathware is engineered to last.



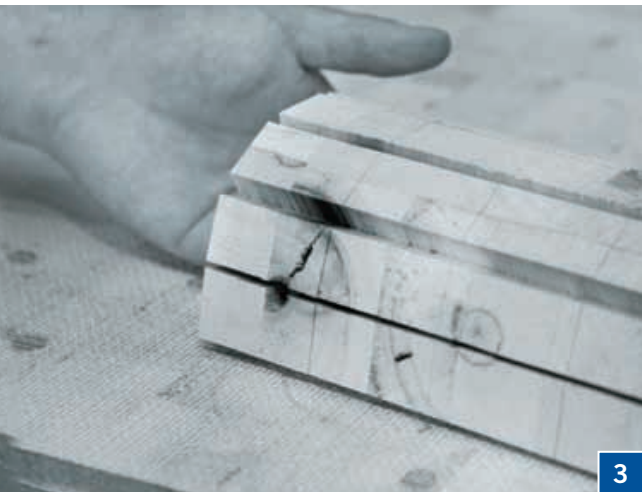
2

1 More resin, less fillers, and a hands-on approach

We hand roll the fiberglass and resin laminate up to four times, and we don't skimp on the mix. You'll find no exposed fiberglass strands, uneven surfaces, air bubbles or cracks here. We'll continue to invest more in our mix. We know contractors and their customers will see the difference — today, and years from now.

2 Longer strands = greater strength

At the core of any fiberglass product is an individual strand. Our strands are 25% longer. It's simple: The longer the strand, the greater the surface integrity; the greater the surface integrity, the greater the overall strength.



3

3 Tough from bottom up

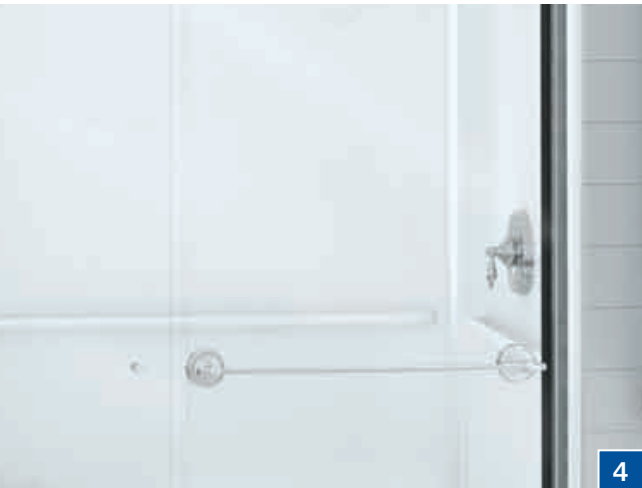
We use ½" of balsa wood, sandwiched between layers of reinforced fiberglass, to stabilize our four-part "Anti-flex" construction. Balsa wood is unique from other woods; it's extremely light but remarkably strong. The balsa wood is constructed to conform with the contours of the unit's base for maximum surface contact, ensuring superior base strength that eliminates floor fatigue and adds years of life to our products.

Did you know? Balsa wood's toughness is relied on in a lighter-weight Hummer for the Army and for floor panels in a Corvette, making the floor 10 times stiffer than composites alone.

4 Reinforced side for a sturdier and safer shower

Sidewalls reinforced with fiberglass and wood ensure sturdier shower door and grab bar installation, meaning a safer overall product.

Note: Grab bars and reinforcements optional.



4

AKER PLUMBER FRIENDLY FEATURES.

AKER products are designed with **smooth installation** in mind and feature unique constructive details that make the **plumber's job easier and faster**.

Integrated tiling flange and integrated apron

Some AKER bathtubs are equipped with a leakproof integrated tiling flange that requires **less time to install, saves effort**, and makes a **better, longer-lasting seal**. The integrated apron is molded with the bathtub, adding ease of installation.

Above-the-Floor Rough (AFR)

AKER offers many products designed with enough space to pipe directly under the bathtub without having to relocate the existing drain. **Perfect for concrete slab installation in renovation or new construction**.

Anti-Flex Base System - FORGET WET-SETTING

AKER pre-leveled **Anti-Flex Base System** makes wet-setting a thing of the past and results in a **quicker and easier installation**. No need to fill the space between the floor and the base with concrete or any other materials, meaning you can save time and money on the job site.

1-piece or multi-piece units

Tub showers and showers are available as **1-piece or multi-piece** to fit easily through standard door openings. No more job site problems.

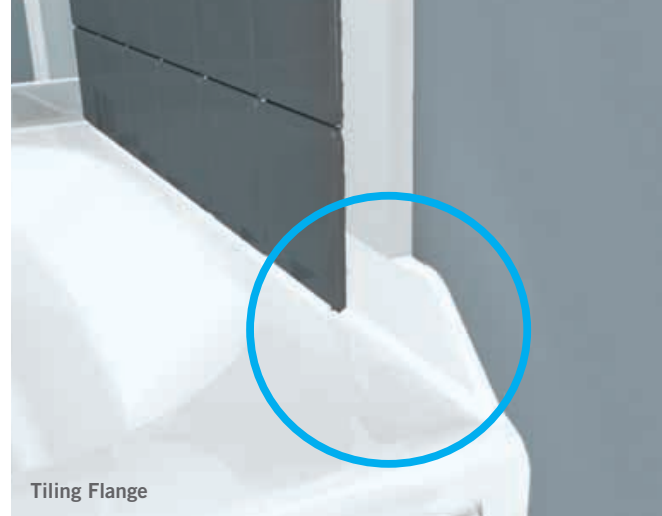
Shower doors

Shower doors **designed to fit** are available by MAAX.

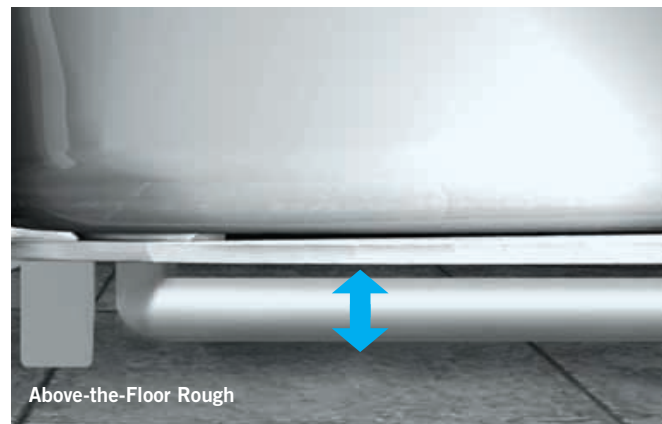
Plumber-friendly features

- Tiling flange on three sides of the bathtub
- Above-the-Floor Rough (AFR)
- Anti-Flex Base System
- Available with right or left-hand drain
- PIN system (KDS Series only)

Consult product sheet to see which features are available.



Tiling Flange



Above-the-Floor Rough



Anti-Flex Base System



1-PIECE SHOWER

A SOLUTION FOR EVERY BATHROOM PROJECTS



MULTI-PIECE SHOWER

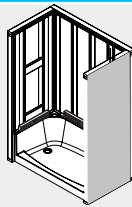
KDS SERIES

FULL LINE OF KNOCK DOWN SHOWERS & TUB SHOWERS

Thanks to our **EASY STEPS** installation, you're saving time and money with AKER.

STEP-1

Level and install the shower base or the bathtub in the alcove.



STEP-2

Apply silicone and install the walls using the PIN system to guide them in place. (Install the back wall and slide the side walls in).



STEP-3

Secure the wall parts to the studs (shim if necessary).



- ✓ Get it right the 1st time: **Perfect alignment of pins and holes** for easier and stronger installation.
- ✓ **No wet-set “Anti-Flex” base system**, providing superior strength and durability: no need to fill the space between the floor and the base with concrete or any other material eliminates wet-setting.
- ✓ Straight front apron for **easy tile installation**.
- ✓ **Above-the-Floor Rough option** designed with enough space to pipe directly under the unit without relocating the drain.
- ✓ All side walls reinforced with fiberglass and wood to **ensure sturdier door installation**.
- ✓ AKER’s tile adaptor provides **a hard edge to tile for a clean, finished look** (for base only to be installed with tile) and for ease of shower door installation.

A COMPLETE SERIES OF PRODUCTS THAT ALWAYS WORK

3 REASONS TO BUY A KDS SHOWERS & TUB SHOWERS

1 Easy to install

- Easy 1-person front installation
- Hassle-free patented PIN system
- Packaged in 3 boxes
- Above-the-Floor Rough
No need to relocate the existing drain

2 Modern and functional

- Ample storage space
- One-piece look
- Easy to clean anti-slip surface
- NEW & improved low threshold shower bases
- Optional grab bars & wall reinforcement

3 Versatile

- All components can be ordered separately
- Mix and match walls and bases
- Right, left or no seat available
- Base only available for tile application



Continuous improvement

All KDS or KDTS models can now be ordered as a full unit or sectionally for increased inventory flexibility.

New grab bars

New modern and stylish AKER grab bars are now available with all KDS/KDTS units. Select the color that suits your style and specific needs: white, chrome or brushed nickel.

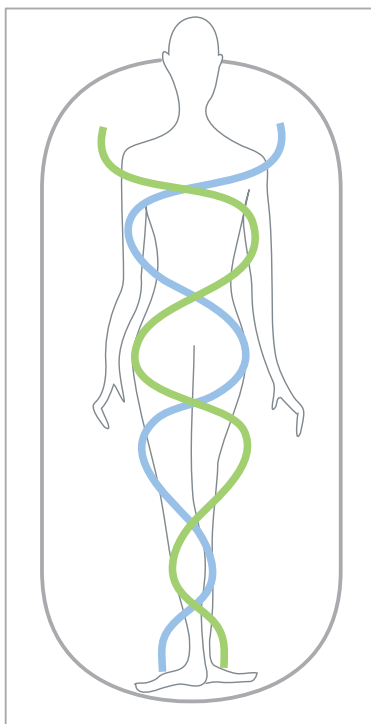
- 18" or 24" horizontal and vertical grab bars available





AKER | BODYWRAP

WHIRLPOOL SYSTEM



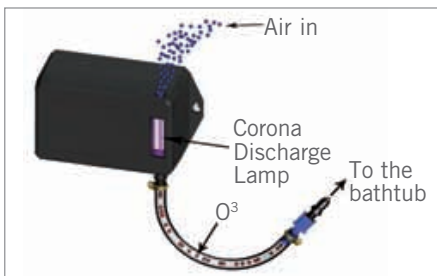
Swaddle yourself in comfort

The AKER Bodywrap system's unique whirlpool action [provides the solace](#) people need most after another long day's stresses and strains.

Soft spirals of water corkscrew up and around the body from toe to torso, swaddling the bather with [amazing tension-relieving comfort](#). For those needing a more vigorous hydromassage, personalize the airflow and spray direction of up to a dozen whirlpool jets for a pulsating action that [re-energizes and alleviates sore](#) backs and aching feet.

Features

- 10 or 12 jets
- 2 foot/ankle massage jets
- 2 micro pulse lumbar jets
- 6 adjustable comfort-flo side jets
- Twin air controls
- Micro-switch on/off control with 20 minute electronic timer
- 1 hp pump



O₃ | Ozonator

Ozone is the Earth's natural way to [purify the air and water](#) from their toxins. Bringing these same natural purification benefits to the bath, AKER now offers the Ozonator for Whirlpool System in keeping with its promise to design innovative customer solutions. This technology [neutralizes unhealthy micro-organisms](#) like bacteria and mold, thus making your bathing experience [safe and fresh](#).



HOMESTEAD

WHIRLPOOL SYSTEM

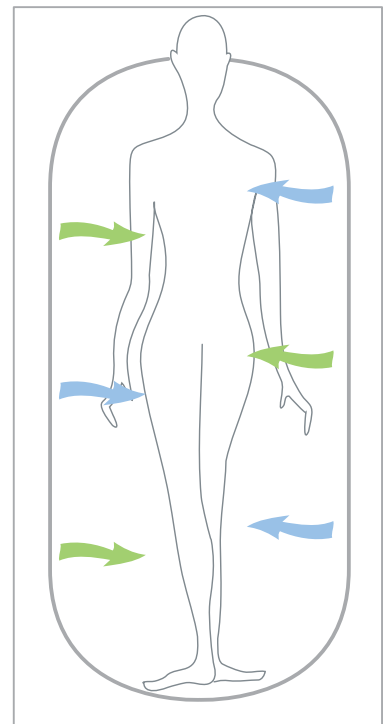
Hassle-free hydrotherapy

Enjoy the simple pleasures of life again with the AKER Homestead system, [our original personal relaxation system](#) for the bath.

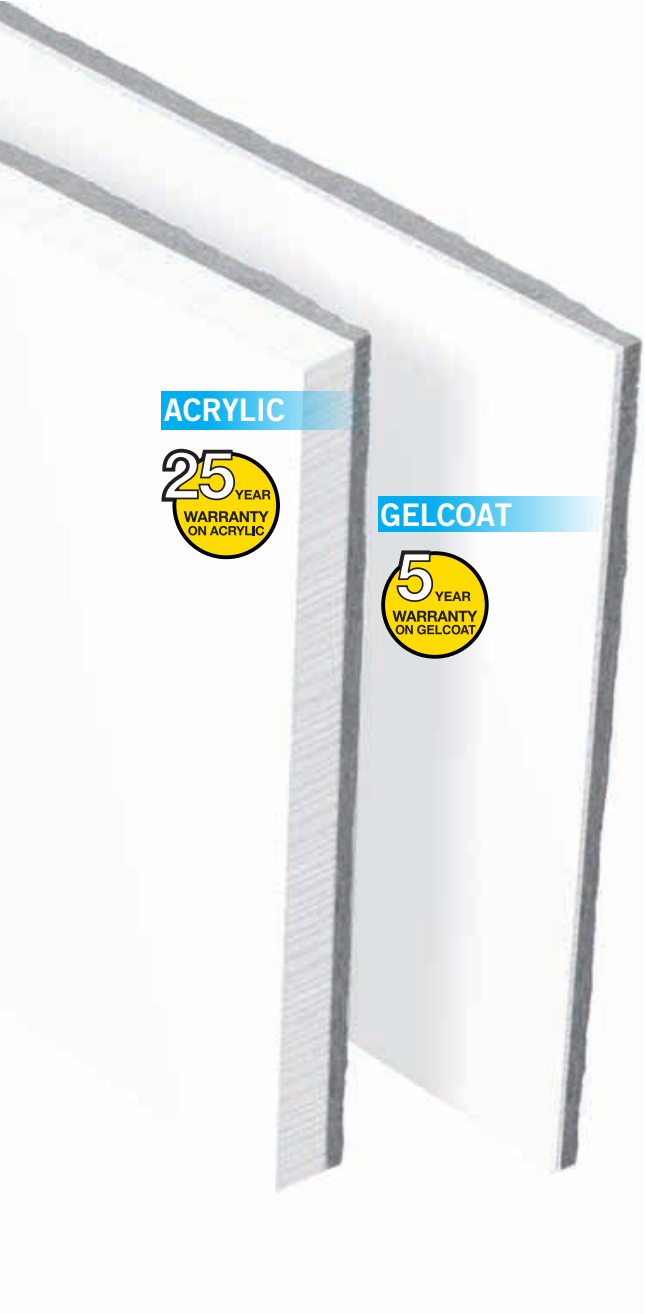
Up to 8 fully independent jets can be adjusted directionally and for flow, giving bathers complete control of the intensity and location for [a superior massage experience with the ultimate ease](#). Whether they want a gentle, reassuring caress or a deep, tension relieving rubdown, this is [hydrotherapy without hassles](#).

Features

- 4, 6 or 8 adjustable jet system
- Pneumatic on/off controls
- 3/4 HP pump



AKER MATERIALS, MAXIMUM QUALITY.



It's easy to maintain and hard to damage. Our attractive finishes take time to achieve, but it's why they last a long time.

Higher quality materials and unmatched manufacturing excellence adds up to **beauty that lasts** — year after year.

How is it made?

ACRYLIC	GELCOAT
Acrylic bathware is constructed of a single, continuous piece of heat-molded acrylic which resists fading, is exceptionally easy to maintain and allows sophisticated designs.	Gelcoat is a polyester coating applied directly to our molds and sealed with our fiberglass and resin mix - producing lightweight, beautiful units.
Both finishes are reinforced with a superior laminating process that includes more resin, longer fiberglass and sturdy balsa wood base.	

What are the benefits?

ACRYLIC	GELCOAT
Acrylic is 3 to 5 times thicker than the gelcoat layer found in fiberglass units for a strong and durable product resistant to scratches, cracks, chips and spider cracks during building construction.	Gelcoat although thinner than acrylic is lighter than acrylic and allows for flexibility to adjust to uneven walls during renovation projects.
Acrylic is non-porous and resistant to mildew, soap scum, chemicals and ferrous water stains. In addition to not yellowing, the color will not fade.	Gelcoat is easier to clean than ABS or Polypropylene materials.
Higher gloss finish brings a sparkle look that lasts, making homeowners proud of their new bathroom.	AKER has the glossiest gelcoat in the industry because we insist on better quality materials and polishing.
Scratches can be carefully buffed out.	While scratches can reveal the fiberglass under the gelcoat, they can be easily repaired by a professional.

AKER FULL-STRENGTH APPROACH.

AKER customers are **our partners in success**. We've developed service and support programs to facilitate and enhance this business relationship, saving your time and money and helping you grow with us. **AKER helps you enter new market niches, up-sell, increase your profit margins and enhance your business reputation.**

AKER tips

- ✓ AKER Sales Representatives are available for wholesaler's plumbers presentations and training. **Make the most out of the line.**

AKER ships

- ✓ Consistent, reliable delivery.
No more costly delays or rescheduling.

AKER assists

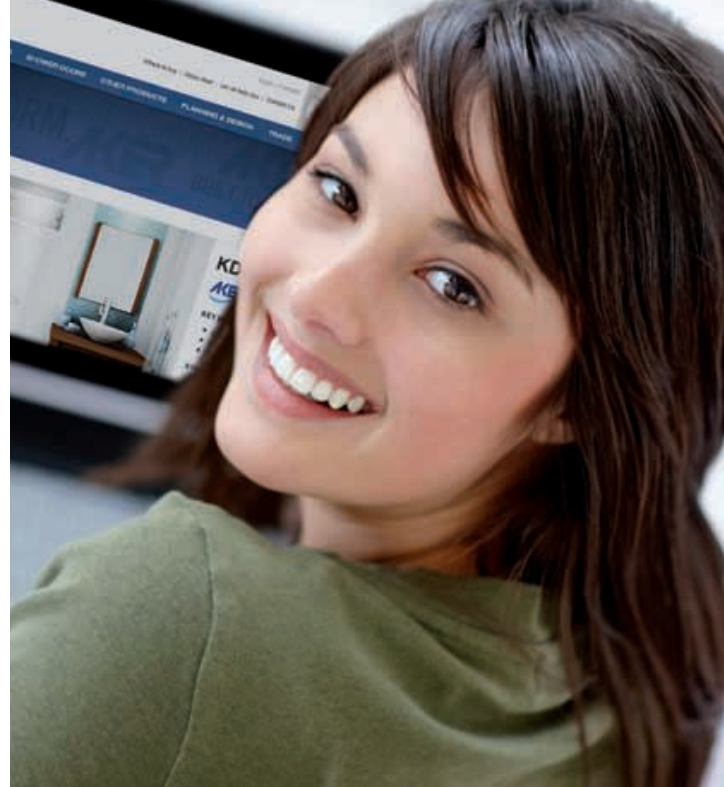
- ✓ Problem-solving by phone, fax, e-mail, or in person on site. Quick solutions so you can stay on schedule. **Call your local AKER representative.**

Easy one-stop shopping

- ✓ From a full line of products that will simplify and **speed up your work.**

Quality sales support material

- ✓ **Attractive and functional sales and marketing support material.** Full line catalog, consumer brochure, product and builder specs available at www.AKERbymaax.com



Certification

All AKER products are truly tested and meet all certification requirements however it is the responsibility of the plumber to ensure that local requirements are respected.

AKER products adhere to one or more of the following certifications.



Warranty

AKER stands behind its products with industry-leading warranties against structural, surface and cosmetic defects. **Acrylic units are covered for 25 years and gelcoat units for 5 years.**

Certification

All AKER Outlook plus code compliant models are truly tested and meet major accessibility building codes when fully equipped and installed according to guidelines.

Code compliance: ANSI-ICC A117.1, ADA Standards for Accessible Design, 521 CMR (Massachusetts), FHA, CSA B45.5-11 / IAPMO Z124-2011, HUD UM 73a, ASTM F-462.

For full warranty details, please refer to warranty section.

AKER'S CUSTOMIZED OPTIONS.

Personalize any AKER bathware so it best suits your sense of style and desired **showering and bathing experience** by choosing among our **selection of options** that can be ordered separately.

Bathtubs



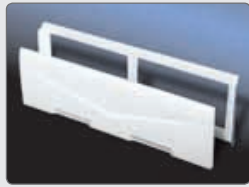
In-line water heater

Stay warm a little longer with AKER in-line heater.



Removable or non-removable apron

Offered on specific bathtubs allowing two different configurations : Drop-in or alcove installation.



Access panel

For easy access to your bathtub whirlpool system.
Facilitate maintenance.



Above-the-Floor Rough (AFR)

Products designed with enough space to pipe directly under the bathtub without having to relocate the existing drain.

Tub showers & showers



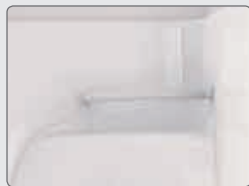
Handle

Metallic finish handle to match bathroom accessories.



Grab bars

Vertical and horizontal grab bars are available on multiple AKER units. Select the color that suits your style and specific needs.



Shelf rail

Added shelf space to hold bottles of varied size.



Wall reinforcement

Allow for the installation of additional grab bars, if needed, and a safer shower door installation.



Roofcap and light

Roofcap allow easier wall finishing while the custom built light helps to shed a little extra light on the area inside your shower stall.



Above-the-Floor Rough

Products designed with enough space to pipe directly under the bathtub without having to relocate the existing drain.

Note: Refer to OUTLOOK Plus section for code compliant and **GENERATION +** Series options & accessories.

HOW TO USE THIS BOOK.

The AKER price list is here to help you **understand our products** and **easily order them**. We are dedicated to providing you with the **best tools possible**. Inside, you will find information on models, systems, pricing, summary tables, warranties and handy customer service forms. In order to help you navigate through the price list, follow these guidelines on how to use this book to its full potential. Do not hesitate to contact your AKER Sales Representative or Customer Service agent if you have any questions.

PRODUCT CLASSIFICATION

Multi-piece units

Ideal for remodeling projects, all multi-piece units are listed into one section at the beginning of the price book, for easy search. Tub showers and showers are listed by **material type** (gelcoat and acrylic) and then sorted by **size** (largest to smallest).

Bathtubs, tub showers, showers and shower bases

Products are listed by **category** first (in order: bathtubs, tub showers, showers and shower bases); by **material type** (gelcoat and acrylic), then sorted by **size** (largest to smallest).

Outlook plus Products Accessibility Code Compliant Series

All AKER **code compliant models** meet major accessibility building codes and come in industry-standard dimensions. Our instinctive ordering codes allow you to choose from a base model, a partial or a fully compliant package. Tub shower and shower units are listed by sizes (largest to smallest). Select the model, the size, the skirt height and the configuration package that correspond to your project need.

Outlook plus Generation+ Series

Generation+ models offer versatility in grab-bar and seat placement now or in the future. AKER's vast selection of grab bars, seats and accessories allow graceful adaptation through the years. Tub shower and shower units are listed by sizes (largest to smallest). Each product is listed has a base model to which you can add the different options and accessories available to customize the unit as required.

AKER TIP

For a quick glance of all product features, refer to the Summary Tables at the beginning of each product category section.



HOW TO USE THIS BOOK.

Dimensions

The dimensions in the summary tables are approximate. For exact dimensions, please see the pricing table or the technical drawing. Dimensions listed at the top of each product pages are external or finished, non AFR dimensions.

For Outlook plus products, both interior & exterior dimensions listed in the Summary table & Reference guide are approximate (dimensions listed in Reference guide are interior). For exact interior and exterior dimensions, please see the pricing table or technical drawings. Dimensions listed at the top of each product pages are exact interior dimensions.

To download specifications, go to the product page at www.AKERbymaax.com

Outlook Plus Technical Drawings

Each product page shows the technical drawing of the base model unit. To access the technical drawings of any other Outlook plus configuration available (partial or fully compliant or showing the different options), please consult the technical drawing section at the end of this price book.

Configurations



• Pump location on central drains

On a bathtub with a central drain, the pump or blower is located on the right or left hand side. To locate the pump or blower on opposite side, select OPT 10174.

• Integrated tiling flange

Many bathtubs offer the choice between a drop-in or alcove installation. If you require an alcove tub with tiling flange, specify right or left drain for proper configuration of the tiling flange.

System icons

Look for these icons on product pages. **Bodywrap**  **Homestead** 



HOW TO USE THIS BOOK.

Footnotes

When you see a number in superscript above a description or model, look to the [bottom of the respective technical drawing page](#) for that number and an important note. Often these notes are essential to specify on your purchase order.

Resources

• Product summary tables

There are summary tables at the beginning of the following product category sections: multi-piece, bathtubs, tub showers, showers, shower bases and Outlook plus. These [easy-to-use tables](#) display product features with just a glance to quickly help you choose the product that best fits your needs.

• System pages

Ever wonder what the benefit of hydrotherapy? Look at the pages at the beginning of the book for system details.

• Pictorial quick reference guides

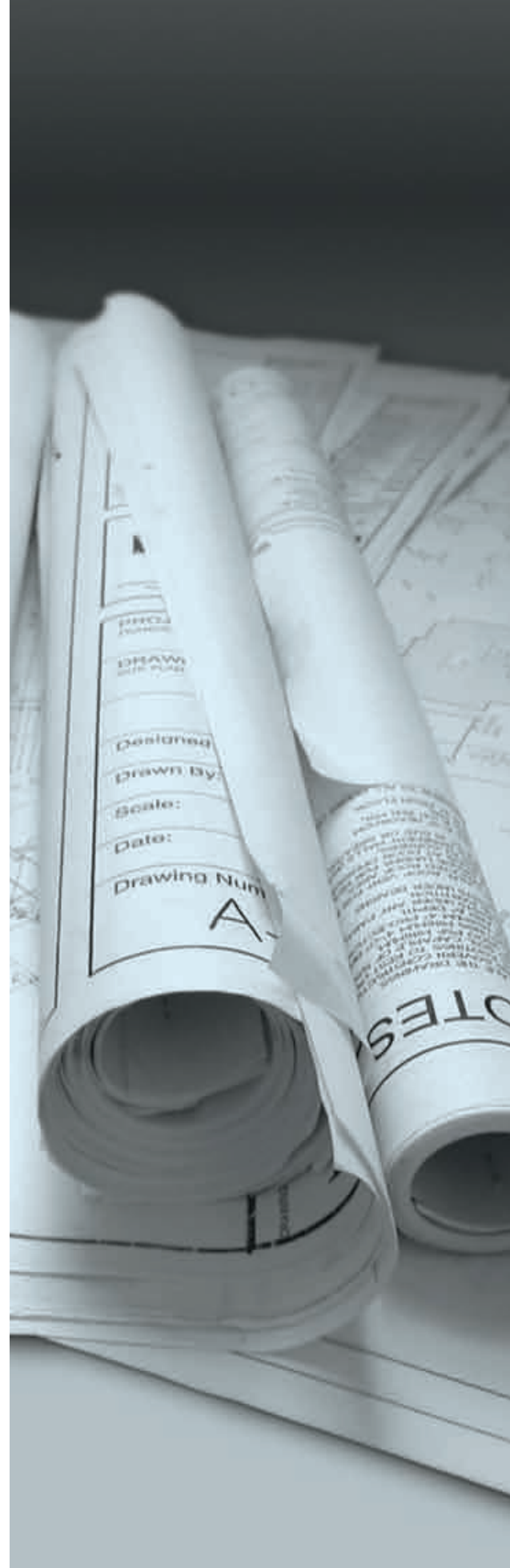
If you are looking for a particular product in various sizes, this is [the tool for you](#). At the beginning of each product category section is a pictorial quick reference guide organized by product family.

• Accessories

At the end of the price book is a list of accessories offering a [quick reference](#) when looking for an accessory ordering code.

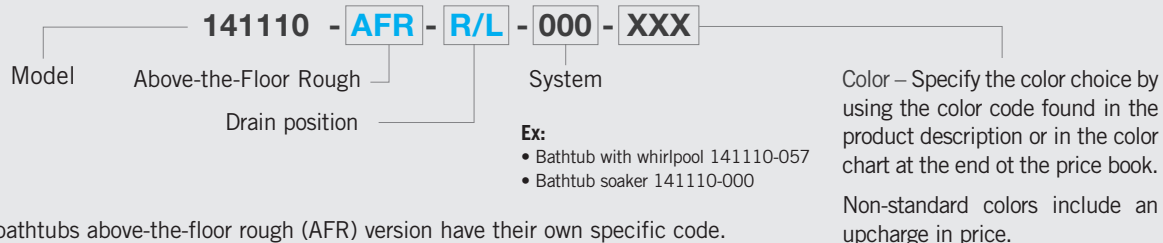
• Warranty

For any questions regarding AKER warranties, refer to the end of the book to see all detailed warranty information.

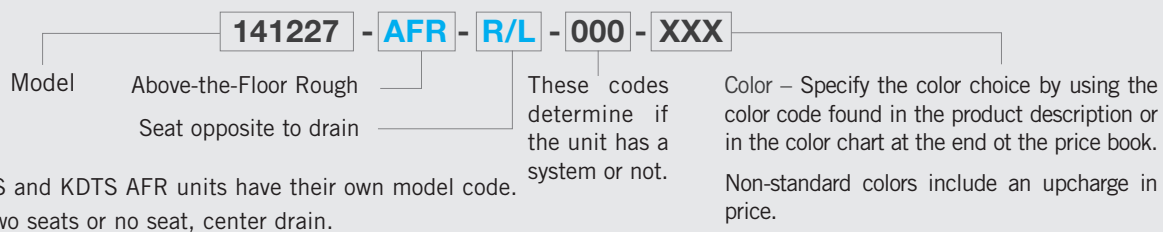


PRICE LIST CODES: WHAT DO THEY MEAN?

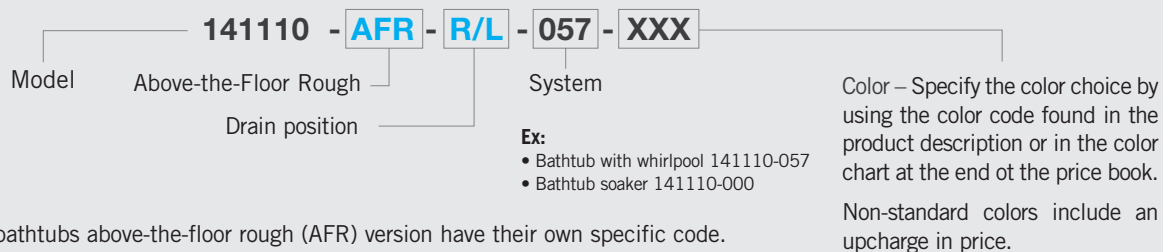
Tub showers



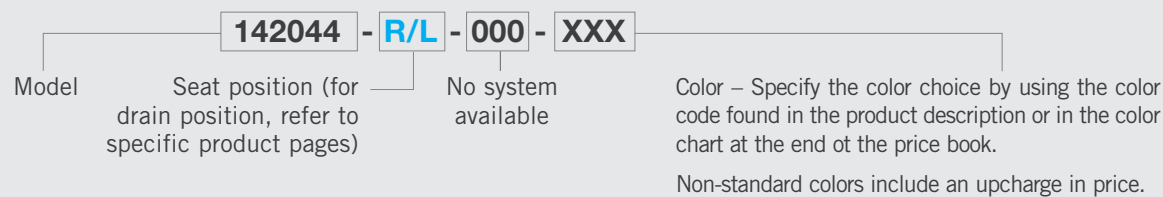
Showers



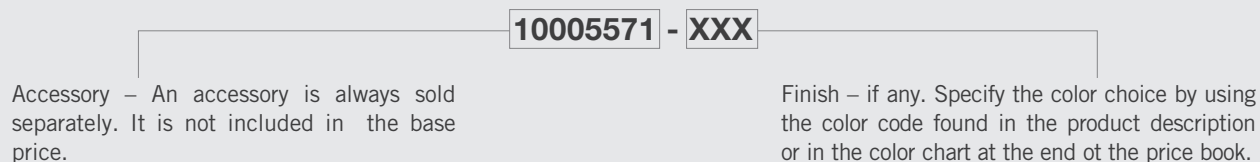
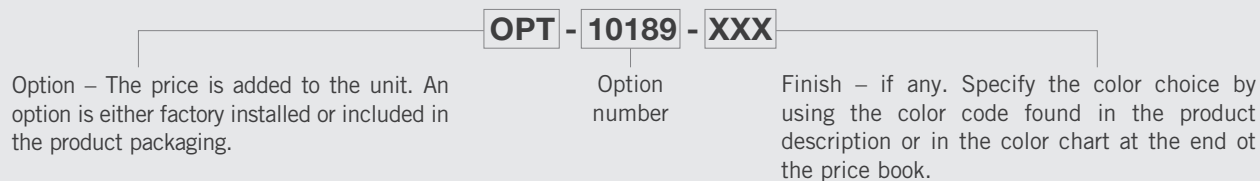
Bathtubs



Shower bases




Options, accessories and replacement parts




PRICE LIST CODES: WHAT DO THEY MEAN?

Outlook plus CODE COMPLIANT SERIES

Tub shower  Model **141309** - **R/L** - **000** - **XXX**

Drain position No system available Color – Specify the color choice by using the color code found in the product description or in the color chart at the end of the price book.


Non-standard colors include an upcharge in price.

Showers  Model **141337** - **R/L** - **000** - **XXX**

Grab bar positioning (when applicable, seat will be installed on opposite side) No system available Color – Specify the color choice by using the color code found in the product description or in the color chart at the end of the price book.


Non-standard colors include an upcharge in price.

Outlook plus GENERATION+ SERIES

Tub shower  Model **141302** - **R/L** - **000** - **XXX**

Drain position No system available Color – Specify the color choice by using the color code found in the product description or in the color chart at the end of the price book.

Non-standard colors include an upcharge in price.

Showers  Model **141284** - **R/L** - **000** - **XXX**

Shelf position - Center Drain No system available Color – Specify the color choice by using the color code found in the product description or in the color chart at the end of the price book.

Non-standard colors include an upcharge in price.

Grab Bar Options

Grab bar option **OPT 20204** - **VR/VL** - **HR/HL/HB** - **BR/BL** - **XXX**

Vertical right or left side wall positioning Horizontal right, left or back wall positioning Right or left-end upper section of curves grab bars or pivot direction of pivot grab bars - Back wall positioning Color – Specify the color choice by using the color code found in the product description or in the color chart at the end of the price book.

Non-standard colors include an upcharge in price.

Seat Options

Seat option **OPT 20041** - **R/L** - **XXX**

Right or left side wall seat positioning Color – Specify the color choice by using the color code found in the product description or in the color chart at the end of the price book. Non-standard colors include an upcharge in price.

MULTI-PIECE TUB SHOWERS & SHOWERS

MULTI-PIECE
TUB SHOWERS & SHOWERS



KDTS 3260 MULTI-PIECE TUB SHOWER



REFERENCE GUIDE: MULTI-PIECE UNITS


GELCOAT TUB SHOWERS

KDTS 3260	p. 28
	
	
ALCOVE	4P 60 x 32 x 79

KDTS 3060	p. 31
	
	
ALCOVE	4P 60 x 30 x 78

KDTS 2954	p. 34
	
	
ALCOVE	4P 54 x 29 x 78

SYSTEMS

	HOMESTEAD WHIRLPOOL	p.11
---	---------------------	------

GELCOAT SHOWERS


KDS 3460	p. 36
	
	
ALCOVE	4P 60 x 34 x 80

KDS 3060	p. 39
	
	
ALCOVE	4P 60 x 30 x 80

KDS 3448	p. 42
	
	
ALCOVE	4P 48 x 34 x 80


REFERENCE GUIDE: MULTI-PIECE UNITS (cont'd)

GELCOAT SHOWERS (CONT'D)

KDS 3636	p. 45	KDS 3232	p. 48	KD-NAS	p. 51
 <p data-bbox="229 530 298 546">KDS Series</p>		 <p data-bbox="724 530 793 546">KDS Series</p>			
ALCOVE	4P 36 x 36 x 76	ALCOVE	4P 32 x 32 x 76	CORNER	2P 38 x 38 x 77

ACRYLIC TUB SHOWERS

ACTS-3P-3360	p. 53
	
ALCOVE	3P 60 x 33 x 75

SYSTEMS		
	BODYWRAP WHIRLPOOL	p.10

REFERENCE GUIDE: MULTI-PIECE UNITS (cont'd)

ACRYLIC SHOWERS

ACSH-3P-60

p. 56



ALCOVE

3P

60 x 34 x 76

ACSH-3P-48

p. 58



ALCOVE

3P

48 x 34 x 76

ACSH-2P-36

p. 60



ALCOVE

2P

36 x 34 x 76

ACKDSH-NA

p. 62



ALCOVE- CORNER



3P

38 x 38 x 79

SUMMARY: MULTI-PIECE UNITS

NAME	MODEL	EXTERNAL DIMENSIONS	MATERIAL	SYSTEM	INSTALLATION		# OF PIECES	ASSEMBLY SYSTEM	DRAIN LOCATION	APRON	ACCESS PANEL ON APRON	GRAB BARS	HANDLE	TOWEL BAR	INTEGRATED SHELVING	GUARDRAILS FOR SHELVES	INTEGRATED SEAT	INTEGRATED FOOTREST	DOOR	PAGE
					ALCOVE	CORNER														
GELCOAT TUB SHOWERS																				
KDTS 3260 4P	142012	60 x 32 x 79	Gelcoat	WH	●		4P	PINS	L, R	Incl.	Opt.	Incl.	2					Opt.		28
KDTS 3060 4P	142006	60 x 30 x 78	Gelcoat	WH	●		4P	PINS	L, R	Incl.	Opt.	Incl.	2					Opt.		31
KDTS 2954 4P	142000	54 x 29 x 78	Gelcoat		●		4P	PINS	L, R	Incl.	Opt.	Incl.	2					Opt.		34
GELCOAT SHOWERS																				
KDS 3460 4P	142042	60 x 34 x 80	Gelcoat		●		4P	PINS	Center, L or R		Opt.	Incl.	2		L or R		Opt.			36
KDS 3060 4P	142036	60 x 30 x 80	Gelcoat		●		4P	PINS	Center, L or R		Opt.	Incl.	2		L or R		Opt.			39
KDS 3448 4P	142030	48 x 34 x 80	Gelcoat		●		4P	PINS	Center		Opt.	Incl.	2		L or R		Opt.			42
KDS 3636 4P	142024	36 x 36 x 76	Gelcoat		●		4P	PINS	Center		Opt.	Incl.	2				Opt.			45
KDS 3232 4P	142018	32 x 32 x 76	Gelcoat		●		4P	PINS	Center		Opt.	Incl.	2				Opt.			48
KD-NAS	141047	38 x 38 x 77	Gelcoat			●	2P	BOLTS	Center				1					Opt.		51
ACRYLIC TUB SHOWERS																				
ACTS-3P-3360	141014-S	60 x 33 x 75	Acrylic	WB	●		3P	Bolts and Pins	L, R	Incl.	●	Opt.	2	Opt.				Opt.		53
ACRYLIC SHOWERS																				
ACSH-3P-60	141054-S	60 x 34 x 76	Acrylic		●		3P	Bolts and Pins	Center, L or R			Opt.	●	2	Opt.	L or R	Opt.	Opt.		56
ACSH-3P-48	141051-S	48 x 34 x 76	Acrylic		●		3P	Bolts and Pins	Center			Opt.	2	Opt.	L or R	Opt.	Opt.			58
ACSH-2P-36	141048-S	36 x 34 x 76	Acrylic		●		2P	Bolts and Pins	Center				2	Opt.				Opt.		60
ACKDSH-NA	141059	38 x 38 x 79	Acrylic			●	3P	Bolts and Pins	Center				2					Opt.		62

SYSTEMS LEGEND

	HOMESTEAD WHIRLPOOL	p.11
	BODYWRAP WHIRLPOOL	p.10

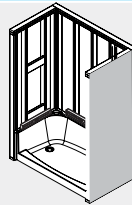
KDS SERIES

FULL LINE OF KNOCK DOWN SHOWERS & TUB SHOWERS

Thanks to our **EASY STEPS** installation, you're saving time and money with AKER.

STEP-1

Level and install the shower base or the bathtub in the alcove.



STEP-2

Apply silicone and install the walls using the PIN system to guide them in place. (Install the back wall and slide the side walls in).



STEP-3

Secure the wall parts to the studs (shim if necessary).



- ✓ Get it right the 1st time: **Perfect alignment of pins and holes** for easier and stronger installation.
- ✓ **No wet-set “Anti-Flex” base system**, providing superior strength and durability: no need to fill the space between the floor and the base with concrete or any other material eliminates wet-setting.
- ✓ Straight front apron for easy tile installation.
- ✓ **Above-the-Floor Rough option** designed with enough space to pipe directly under the unit without relocating the drain.
- ✓ All side walls reinforced with fiberglass and wood to ensure sturdier door installation.
- ✓ AKER's tile adaptor provides a hard edge to tile for a clean, finished look (for base only to be installed with tile) and for ease of shower door installation.



[A COMPLETE SERIES OF PRODUCTS THAT ALWAYS WORK]

3 REASONS TO BUY A KDS SHOWERS & TUB SHOWERS

1

Easy to install

- Easy **1-person** front installation
- Hassle-free patented **PIN system**
- Packaged in **3 boxes**
- **Above-the-Floor Rough**
No need to relocate the existing drain

2

Modern and functional

- **Ample storage** space
- **One-piece** look
- **Easy to clean** anti-slip surface
- NEW & improved **low threshold** shower bases
- Optional **grab bars** & **wall reinforcement**

3

Versatile

- **All components** can be ordered **separately**
- **Mix** and **match** walls and bases
- **Right, left or no seat** available
- **Base only available** for tile application



Continuous improvement

All KDS or KDTS models can now be ordered as a **full unit or sectionally** for **increased inventory flexibility**.

New grab bars

New modern and stylish AKER grab bars are now available with all KDS/ KDTS units. Select the color that suits your style and specific needs: white, chrome or brushed nickel.

- 18" or 24" horizontal and vertical grab bars available



KDTS 3260

59 7/8" x 32" x 79 1/4" - Gelcoat
Water Capacity: Min: 30.6 gal. Max: 38.6 gal.



KDS Series

- Four-piece gelcoated fiberglass tub-shower with PIN system for easy front installation
- Large top corner shelves, wide soap dish and standard acrylic handle (opt. metallic finishes)
- Right or left-hand drain • Textured floor • Bottom bathing well : 44 1/8" L x 21 5/8" W
- Optional unique features: Reinforced walls and grab bars • 14 3/8" deep sump
- Product also available in Above-the-Floor Rough



TUB SHOWER MODEL

No	Model	Dimensions	Pkg	Approx. weight	Std Color(s)	Non-std Colors
142012-000-XXX	4-piece tub shower ¹ 142012-R-000 Right-hand drain 142012-L-000 Left-hand drain Specify: Standard colors: White (002), Bone (004), Biscuit (007) Non-standard colors: Refer to color chart in this book.	59 7/8 X 32 X 79 1/4 in. Door opening: 56 1/2 x 63 1/8	105 ft ³	152 lb	\$ 953	\$ 1,053
142013-000-XXX	4-piece tub shower AFR ¹ 142013-R-000-XXX Above-the-floor rough, right-hand drain 142013-L-000-XXX Above-the-floor rough, left-hand drain Specify: Standard colors: White (002), Bone (004), Biscuit (007) Non-standard colors: Refer to color chart in this book.	59 3/4 X 32 X 81 3/4 in.	105 ft ³	152 lb	\$ 953	\$ 1,053

SECTIONAL SHOWER COMPONENTS

142016-000-XXX	Tub only with pin system ¹ 142016-R-000-XXX Right-hand drain 142016-L-000-XXX Left-hand drain	59 3/4 X 32 X 19 1/8 in.	28 ft ³	52 lb	\$ 568	\$ 618
142017-000-XXX	Tub only with AFR with pin system ¹ 142017-R-000-XXX Above-the-floor rough, right-hand drain 142017-L-000-XXX Above-the-floor rough, left-hand drain	59 3/4 X 32 X 21 1/2 in.	28 ft ³	52 lb	\$ 568	\$ 618
142051-000-XXX	Side walls (right and left) for KDTS 3260	21 7/8 X 1 1/2 X 60 in.	3.4 ft ³	40 lb	\$ 193	\$ 218
142061-000-XXX	Back wall for KDTS 3060, KDTS 3260, KDS 3060 and KDS 3460 ¹	59 7/8 X 10 1/8 X 60 in.	29 ft ³	60 lb	\$ 193	\$ 218

HOMESTEAD WHIRLPOOL SYSTEM

No	Model	Approx. weight	Std Color(s)	Non-std Colors
142012-058	Tub shower with Homestead whirlpool w/air switch ^{2 1} 142012-R-058-XXX Right-hand drain 142012-L-058-XXX Left-hand drain	N/A	\$ 1,767	N/A
142012-142013-058	Tub shower AFR with Homestead whirlpool w/air switch ^{2 1} 142013-R-058-XXX Above-the-floor rough, right-hand drain 142013-L-058-XXX Above-the-floor rough, left-hand drain	N/A	\$ 1,767	N/A
142012-142016-058	Tub only with pin system with Homestead whirlpool w/air switch ² 142016-R-058-XXX Right-hand drain 142016-L-058-XXX Left-hand drain	N/A	\$ 1,382	N/A
142012-142017-058	Tub only AFR with pin system with Homestead whirlpool w/air switch ² 142017-R-058-XXX Above-the-floor rough, right-hand drain 142017-L-058-XXX Above-the-floor rough, left-hand drain	N/A	\$ 1,382	N/A

KDTS 3260 (cont'd)

COMMON OPTIONS

No	Description	Approx. weight	List Price
OPT20200	Pre-assembled unit	N/A	\$ 49
OPT20212-B	Back Wall reinforcement ³	N/A	\$ 47
OPT20212-L	Left Wall reinforcement ³	N/A	\$ 47
OPT20212-R	Right Wall reinforcement ³	N/A	\$ 47
OPT10109-XXX	Metallic finish handle replacing acrylic handle Available colors: Chrome (084) and Brushed Nickel (105)	N/A	\$ 98
OPT20203-B-XXX	18 in. Modern Horizontal Straight Grab Bar on Back wall ⁴ Available colors: White (002), Chrome (084) and Brushed Nickel (105)	N/A	\$ 140
OPT20203-R-XXX	18 in. Modern Vertical Straight Grab Bar on Right wall. ⁴ Available colors: White (002), Chrome (084) and Brushed Nickel (105)	N/A	\$ 140
OPT20203-L-XXX	18 in. Modern Vertical Straight Grab Bar on Left wall ⁴ Available colors: White (002), Chrome (084) and Brushed Nickel (105)	N/A	\$ 140
OPT20204-B-XXX	24 in. Modern Horizontal Straight Grab Bar on Back wall ⁴ Available colors: White (002), Chrome (084) and Brushed Nickel (105)	N/A	\$ 150
OPT20204-R-XXX	24 in. Modern Vertical Straight Grab Bar on Right wall ⁴ Available colors: White (002), Chrome (084) and Brushed Nickel (105)	N/A	\$ 150
OPT20204-L-XXX	24 in. Modern Vertical Straight Grab Bar on Left wall ⁴ Available colors: White (002), Chrome (084) and Brushed Nickel (105)	N/A	\$ 150

WHIRLPOOL OPTIONS

No	Description	Approx. weight	List Price
OPT10172	In-Line Heater (factory installed)	N/A	\$ 426
OPT10174	Pump position opposite standard position ⁵	N/A	\$ 68

DOORS RECOMMENDED WITH THIS PRODUCT. REFER TO MAAX DOOR PRICE BOOK

No	Description
136302-XXX-XXX	Decor Plus 2-panel 56 3/4 in.
135130-XXX-XXX	Tub Shield 1-panel 30 in.
135630-XXX-XXX	Tub Shield 1-panel 30 in.
135340-XXX-XXX	3 folding panels 39 1/2 in.
105410-XXX-XXX	Polar 2-panel 54 - 59 1/2 in.
105409-XXX-XXX	Mika 2-panel 54 - 59 1/2 in.
104031-XXX-XXX	Canvas 2-panel 54 - 59 1/2 in.
139398-XXX-XXX	Halo 2-panel 56 1/2-59 x 56 in.
134561-XXX-XXX	Kameleon 6 mm 55 - 59 in.
134661-XXX-XXX	Kameleon Soft Close 6 mm 55 - 59 in.
134573-XXX-XXX	Kameleon 8 mm 55 - 59 in.
134670-XXX-XXX	Kameleon Soft Close 8 mm 55 - 59 in.
138402-XXX-XXX	Halo 1-panel 56 1/2-59 x 59 in.

A SECURE FIT EVERY TIME

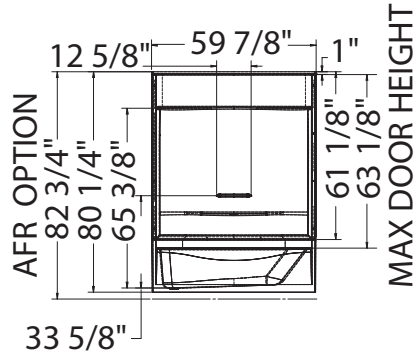
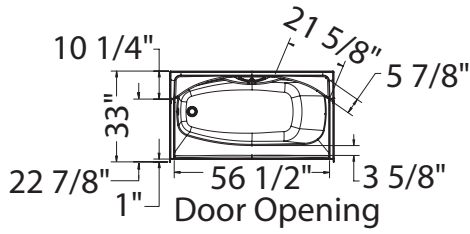
Our enhanced, patented front installation [PIN system](#) was designed with the installer in mind. Used in our KDS Series, this [time-and money-saving solution](#) eliminates the need for rear access. And pins are made of sturdier material for a tighter fit between the parts.

Did you know? Our sturdy, innovative PIN system is available in our new KDS Series of multi-piece showers and tub showers.

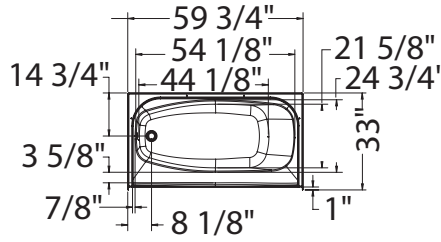


KDTS 3260 (cont'd)

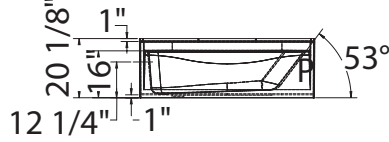
STANDARD



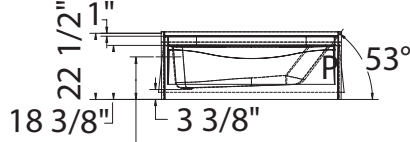
NO SYSTEM



NOT ABOVE-THE-FLOOR



ABOVE-THE-FLOOR

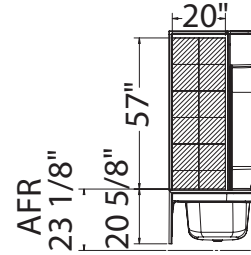


Whirlpool

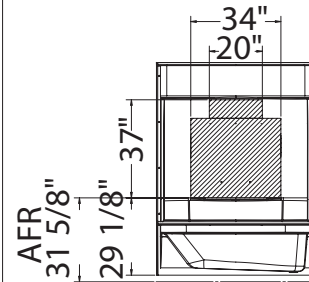


REINFORCEMENT BACKING

OPTION 20212-L Shown
OPTION 20212-R Symetrical

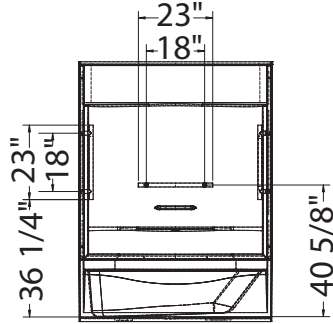


OPTION 20212-B

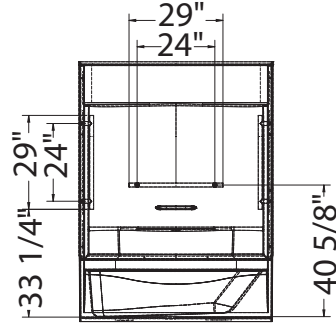


GRAB BARS

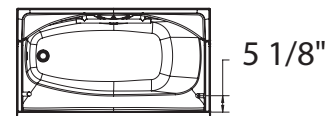
OPTION 20203



OPTION 20204



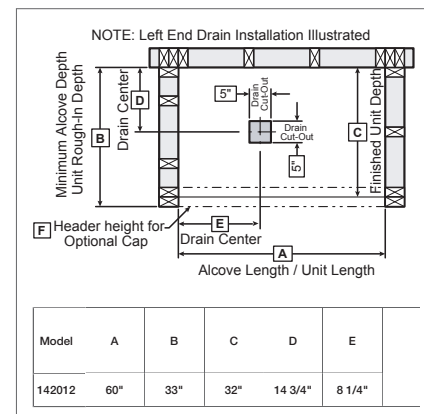
OPTION 20203-20204



(▲): Indicates Whirlpool jets positioning
(△): Indicates suction positioning
All dimensions are approximate. Structure measurements must be verified against the unit to ensure proper fit.

FOOTNOTES - BEFORE ORDERING, PLEASE SPECIFY:

- Handles for standard color tub showers are color-coordinated. Handles with metallic finish can be added (additional charge applies). For non-standard color tub showers, please specify handle color (additional charge applies for metallic finishes).
- Components for standard color tub showers equipped with Homestead Whirlpool are color-coordinated.
- Please see technical drawings for reinforcement positioning and size.
- Please see technical drawings for grab bar positioning.
- The pump on opposite side of standard location will exceed the bathtub dimensions from 8 to 10 inches.



KDTS 3060

59 7/8" x 30 1/8" x 77 1/2" - Gelcoat
Water Capacity: Min: 22.7 gal. Max: 37.2 gal.



KDS Series

- Four-piece gelcoated fiberglass tub-shower with PIN system for easy front installation
- Large top corner shelves, wide soap dish and standard acrylic handle (opt. metallic finishes)
- Right or left-hand drain • Textured floor • Bottom bathing well : 44 1/8" L x 20" W
- Optional unique features: Reinforced walls and grab bars • 14 3/8" deep sump
- Product also available in Above-the-Floor Rough



GELCOAT TUB SHOWERS

TUB SHOWER MODEL

No	Model	Dimensions	Pkg	Approx. weight	Std Color(s)	Non-std Colors
142006-000-XXX	4-piece tub shower ¹ 142006-R-000-XXX Right-hand drain 142006-L-000-XXX Left-hand drain Specify: Standard colors: White (002), Bone (004), Biscuit (007) Non-standard colors: Refer to color chart in this book.	59 7/8 X 30 1/8 X 77 1/2 in. Door opening: 56 1/2 x 61 5/8	99 ft ³	152 lb	\$ 909	\$ 1,009
142007-000-XXX	4-piece tub shower AFR ¹ 142007-R-000-XXX Above-the-floor rough, right-hand drain 142007-L-000-XXX Above-the-floor rough, left-hand drain Specify: Standard colors: White (002), Bone (004), Biscuit (007) Non-standard colors: Refer to color chart in this book.	59 7/8 X 30 1/8 X 79 5/8 in.	99 ft ³	152 lb	\$ 909	\$ 1,009

SECTIONAL SHOWER COMPONENTS

142010-000-XXX	Tub only with pin system ¹ 142010-R-000-XXX Right-hand drain 142010-L-000-XXX Left-hand drain	59 3/4 X 29 7/8 X 17 1/2 in.	28 ft ³	52 lb	\$ 504	\$ 554
142011-000-XXX	Tub only with AFR with pin system ¹ 142011-R-000-XXX Above-the-floor rough, right-hand drain 142011-L-000-XXX Above-the-floor rough, left-hand drain	59 3/4 X 29 7/8 X 19 7/8 in.	28 ft ³	52 lb	\$ 504	\$ 554
142048-000-XXX	Side walls (right and left) for KDTS 2954, KDTS 3060 and KDS 3060	19 7/8 X 1 1/2 X 60 in.	3.2 ft ³	40 lb	\$ 213	\$ 238
142061-000-XXX	Back wall for KDTS 3060, KDTS 3260, KDS 3060 and KDS 3460 ¹	59 7/8 X 10 1/8 X 60 in.	29 ft ³	60 lb	\$ 193	\$ 218

HOMESTEAD WHIRLPOOL SYSTEM

No	Model	Approx. weight	Std Color(s)	Non-std Colors
142006-058	Tub shower with Homestead whirlpool w/air switch ^{2 1} 142006-R-058-XXX Right-hand drain 142006-L-058-XXX Left-hand drain	N/A	\$ 1,723	N/A
142006-142007-058	Tub shower AFR with Homestead whirlpool w/air switch ^{2 1} 142007-R-058-XXX Above-the-floor rough, right-hand drain 142007-L-058-XXX Above-the-floor rough, left-hand drain	N/A	\$ 1,723	N/A
142006-142016-058	Tub only with pin system with Homestead whirlpool w/air switch ² 142010-R-058-XXX Right-hand drain 142010-L-058-XXX Left-hand drain	N/A	\$ 1,318	N/A
142006-142011-058	Tub only AFR with pin system with Homestead whirlpool w/air switch ² 142011-R-058-XXX Above-the-floor rough, right-hand drain 142011-L-058-XXX Above-the-floor rough, left-hand drain	N/A	\$ 1,318	N/A

KDTS 3060 (cont'd)

COMMON OPTIONS

No	Description	Approx. weight	List Price
OPT20200	Pre-assembled unit	N/A	\$ 49
OPT20212-B	Back Wall reinforcement ³	N/A	\$ 47
OPT20212-L	Left Wall reinforcement ³	N/A	\$ 47
OPT20212-R	Right Wall reinforcement ³	N/A	\$ 47
OPT10109-XXX	Metallic finish handle replacing acrylic handle Available colors: Chrome (084) and Brushed Nickel (105)	N/A	\$ 98
OPT20203-B-XXX	18 in. Modern Horizontal Straight Grab Bar on Back wall ⁴ Available colors: White (002), Chrome (084) and Brushed Nickel (105)	N/A	\$ 140
OPT20203-R-XXX	18 in. Modern Vertical Straight Grab Bar on Right wall. ⁴ Available colors: White (002), Chrome (084) and Brushed Nickel (105)	N/A	\$ 140
OPT20203-L-XXX	18 in. Modern Vertical Straight Grab Bar on Left wall ⁴ Available colors: White (002), Chrome (084) and Brushed Nickel (105)	N/A	\$ 140
OPT20204-B-XXX	24 in. Modern Horizontal Straight Grab Bar on Back wall ⁴ Available colors: White (002), Chrome (084) and Brushed Nickel (105)	N/A	\$ 150
OPT20204-R-XXX	24 in. Modern Vertical Straight Grab Bar on Right wall ⁴ Available colors: White (002), Chrome (084) and Brushed Nickel (105)	N/A	\$ 150
OPT20204-L-XXX	24 in. Modern Vertical Straight Grab Bar on Left wall ⁴ Available colors: White (002), Chrome (084) and Brushed Nickel (105)	N/A	\$ 150

WHIRLPOOL OPTIONS

No	Description	Approx. weight	List Price
OPT10172	In-Line Heater (factory installed)	N/A	\$ 426
OPT10174	Pump position opposite standard position ⁵	N/A	\$ 68

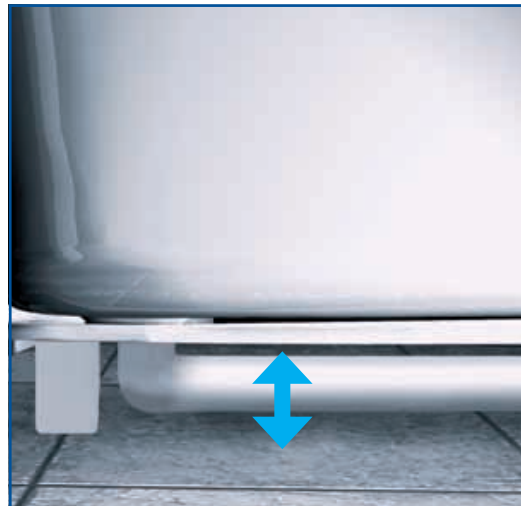
DOORS RECOMMENDED WITH THIS PRODUCT. REFER TO MAAX DOOR PRICE BOOK

No	Description
136302-XXX-XXX	Decor Plus 2-panel 56 3/4 in.
135130-XXX-XXX	Tub Shield 1-panel 30 in.
135630-XXX-XXX	Tub Shield 1-panel 30 in.
135340-XXX-XXX	3 folding panels 39 1/2 in.
105410-XXX-XXX	Polar 2-panel 54 - 59 1/2 in.
105409-XXX-XXX	Mika 2-panel 54 - 59 1/2 in.
104031-XXX-XXX	Canvas 2-panel 54 - 59 1/2 in.
139398-XXX-XXX	Halo 2-panel 56 1/2-59 x 56 in.
134561-XXX-XXX	Kameleon 6 mm 55 - 59 in.
134661-XXX-XXX	Kameleon Soft Close 6 mm 55 - 59 in.
134573-XXX-XXX	Kameleon 8 mm 55 - 59 in.
134670-XXX-XXX	Kameleon Soft Close 8 mm 55 - 59 in.
138402-XXX-XXX	Halo 1-panel 56 1/2-59 x 59 in.

ABOVE-THE-FLOOR ROUGH, WHAT DOES IT MEAN FOR YOU?

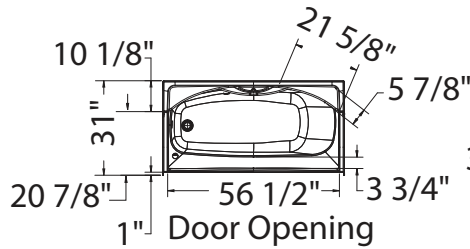
Above-the-Floor Rough or AFR means there is enough space to pipe directly under the bathtub without having to relocate the existing drain. What does this mean for you?

Less time and hassle on the job.

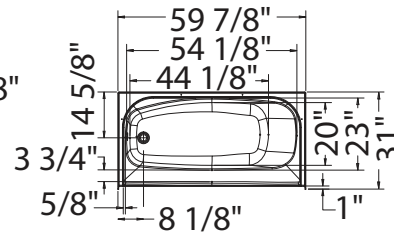


KDTS 3060 (cont'd)

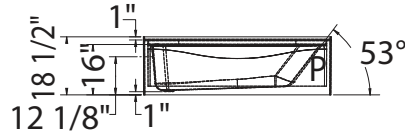
STANDARD



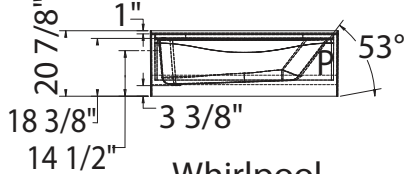
NO SYSTEM



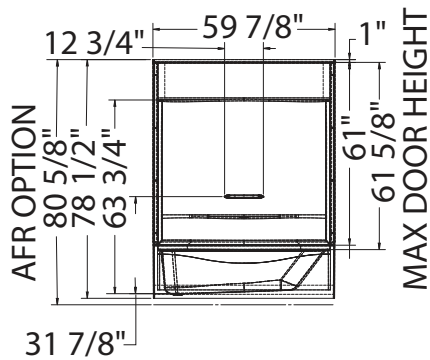
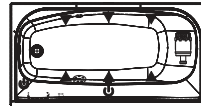
NOT ABOVE-THE-FLOOR



ABOVE-THE-FLOOR

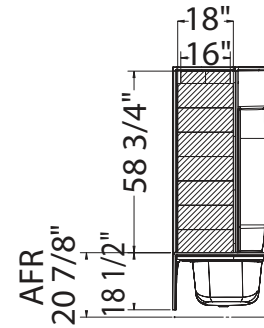


Whirlpool

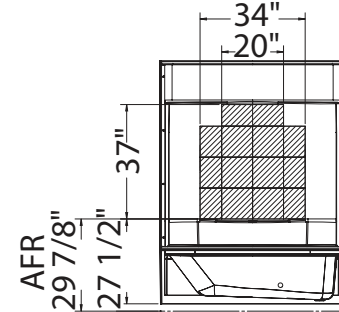


REINFORCEMENT BACKING

OPTION 20212-L Shown
OPTION 20212-R Symetrical

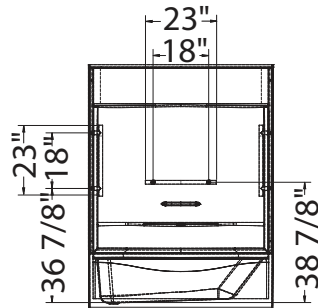


OPTION 20212-B

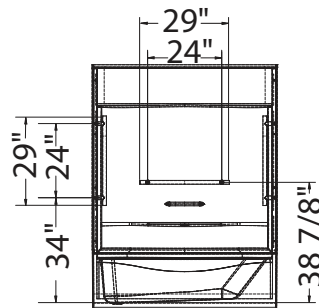


GRAB BARS

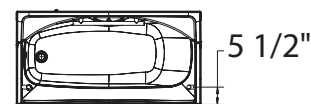
OPTION 20203



OPTION 20204



OPTION 20203-20204

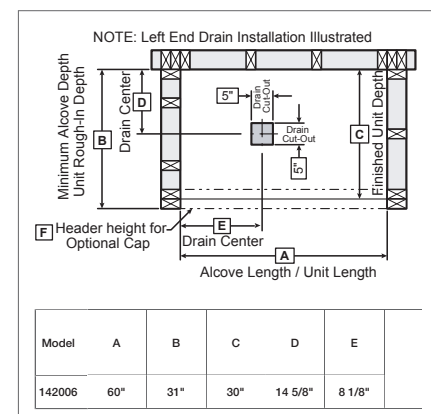


(▲): Indicates Whirlpool jets positioning
(△): Indicates suction positioning

All dimensions are approximate. Structure measurements must be verified against the unit to ensure proper fit.

FOOTNOTES - BEFORE ORDERING, PLEASE SPECIFY:

- Handles for standard color tub showers are color-coordinated. Handles with metallic finish can be added (additional charge applies). For non-standard color tub showers, please specify handle color (additional charge applies for metallic finishes).
- Components for standard color tub showers equipped with Homestead Whirlpool are color-coordinated.
- Please see technical drawings for reinforcement positioning and size.
- Please see technical drawings for grab bar positioning.
- The pump on opposite side of standard location will exceed the bathtub dimensions from 8 to 10 inches.



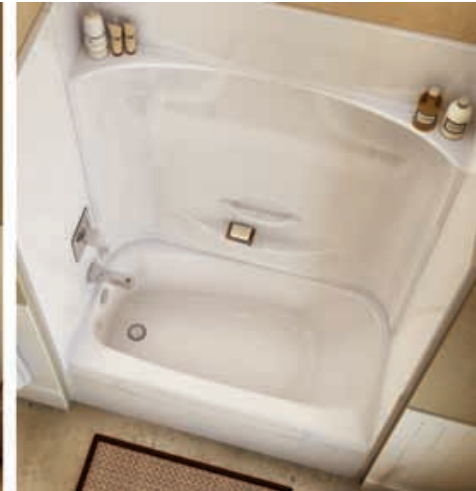
KDTS 2954

53 7/8" x 29" x 77 1/2" - Gelcoat
Water Capacity: Max: 32.5 gal.

KDS Series

- Four-piece gelcoated fiberglass tub-shower with PIN system for easy front installation
- Large top corner shelves, wide soap dish and standard acrylic handle (opt. metallic finishes)
- Right or left-hand drain • Textured floor • Bottom bathing well : 37 7/8" L x 19 3/8" W
- Optional unique features: Reinforced walls and grab bars • 14 3/8" deep sump
- Product also available in Above-the-Floor Rough

GELCOAT TUB SHOWERS



TUB SHOWER MODEL

No	Model	Dimensions	Pkg	Approx. weight	Std Color(s)	Non-std Colors
142000-000-XXX	4-piece tub shower ¹ 142000-R-000 Right-hand drain 142000-L-000 Left-hand drain Specify: Standard colors: White (002), Bone (004), Biscuit (007) Non-standard colors: Refer to color chart in this book.	53 7/8 X 29 X 77 1/2 in. Door opening: 50 1/2 x 61 1/2	81 ft ³	144 lb	\$ 855	\$ 955
142001-000-XXX	4-piece tub shower AFR ¹ 142001-R-000-XXX Above-the-floor rough, right-hand drain 142001-L-000-XXX Above-the-floor rough, left-hand drain Specify: Standard colors: White (002), Bone (004), Biscuit (007) Non-standard colors: Refer to color chart in this book.	53 7/8 X 29 X 79 7/8 in.	81 ft ³	144 lb	\$ 855	\$ 955

SECTIONAL SHOWER COMPONENTS

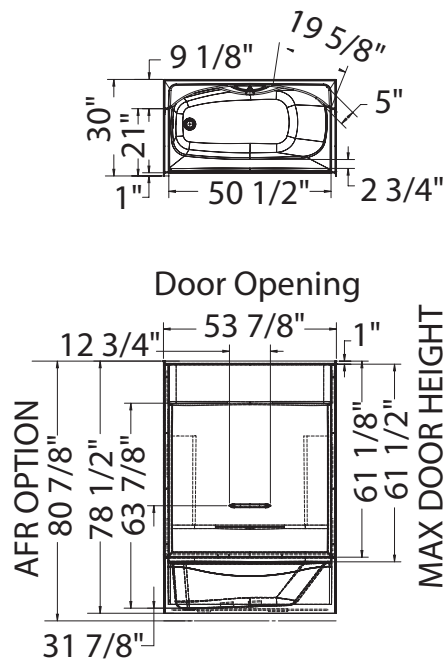
142004-000-XXX	Tub only with pin system 142004-R-000-XXX Right-hand drain 142004-L-000-XXX Left-hand drain	53 7/8 X 29 X 17 1/2 in.	28 ft ³	47 lb	\$ 465	\$ 515
142005-000-XXX	Tub only with AFR with pin system 142005-R-000-XXX Above-the-floor rough, right-hand drain 142005-L-000-XXX Above-the-floor rough, left-hand drain	53 7/8 X 29 X 19 7/8 in.	28 ft ³	47 lb	\$ 465	\$ 515
142048-000-XXX	Side walls (right and left) for KDTS 2954, KDTS 3060 and KDS 3060	19 7/8 X 1 1/2 X 60 in.	3.2 ft ³	40 lb	\$ 213	\$ 238
142060-000-XXX	Back wall for KDTS 2954 ¹	53 7/8 X 9 1/8 X 60 in.	29 ft ³	57 lb	\$ 176	\$ 201

COMMON OPTIONS

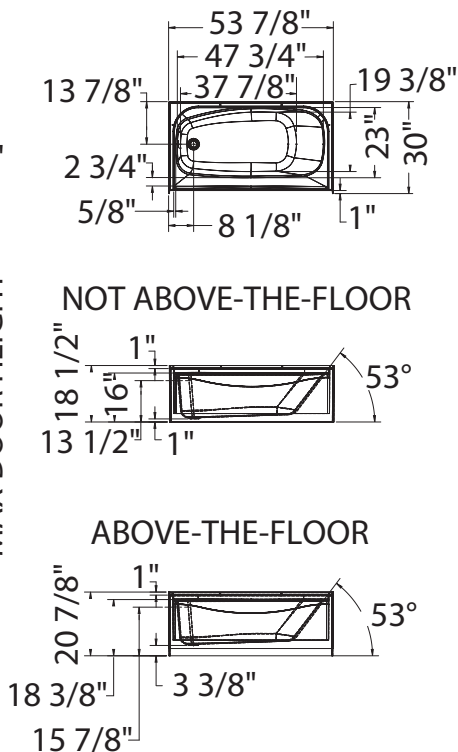
No	Description	Approx. weight	List Price
OPT20200	Pre-assembled unit	N/A	\$ 49
OPT20212-B	Back Wall reinforcement ²	N/A	\$ 47
OPT20212-L	Left Wall reinforcement ²	N/A	\$ 47
OPT20212-R	Right Wall reinforcement ²	N/A	\$ 47
OPT10109-XXX	Metallic finish handle replacing acrylic handle Available colors: Chrome (084) and Brushed Nickel (105)	N/A	\$ 98
OPT20203-B-XXX	18 in. Modern Horizontal Straight Grab Bar on Back wall ³ Available colors: White (002), Chrome (084) and Brushed Nickel (105)	N/A	\$ 140
OPT20203-R-XXX	18 in. Modern Vertical Straight Grab Bar on Right wall. ³ Available colors: White (002), Chrome (084) and Brushed Nickel (105)	N/A	\$ 140
OPT20203-L-XXX	18 in. Modern Vertical Straight Grab Bar on Left wall ³ Available colors: White (002), Chrome (084) and Brushed Nickel (105)	N/A	\$ 140
OPT20204-B-XXX	24 in. Modern Horizontal Straight Grab Bar on Back wall ³ Available colors: White (002), Chrome (084) and Brushed Nickel (105)	N/A	\$ 150
OPT20204-R-XXX	24 in. Modern Vertical Straight Grab Bar on Right wall ³ Available colors: White (002), Chrome (084) and Brushed Nickel (105)	N/A	\$ 150
OPT20204-L-XXX	24 in. Modern Vertical Straight Grab Bar on Left wall ³ Available colors: White (002), Chrome (084) and Brushed Nickel (105)	N/A	\$ 150

KDTS 2954 (cont'd)

STANDARD

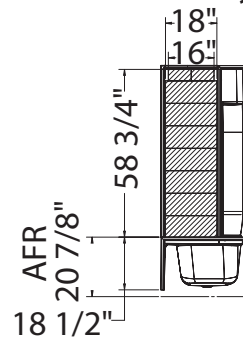


NO SYSTEM

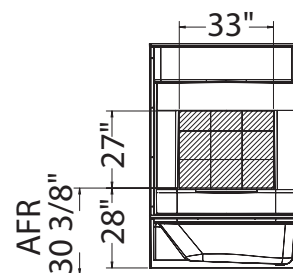


REINFORCEMENT BACKING

OPTION 20212-L Shown
OPTION 20212-R Symmetrical

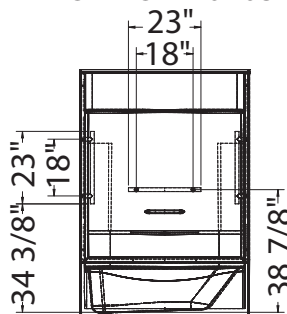


OPTION 20212-B

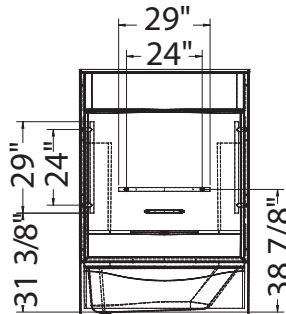


GRAB BARS

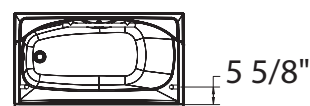
OPTION 20203



OPTION 20204



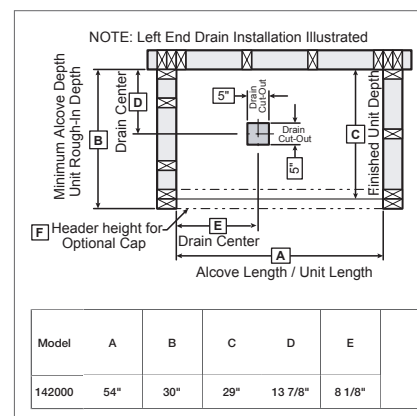
OPTION 20203-20204



All dimensions are approximate. Structure measurements must be verified against the unit to ensure proper fit.

FOOTNOTES - BEFORE ORDERING, PLEASE SPECIFY:

1. Handles for standard color tub showers are color-coordinated. Handles with metallic finish can be added (additional charge applies). For non-standard color tub showers, please specify handle color (additional charge applies for metallic finishes).
2. Please see technical drawings for reinforcement positioning and size.
3. Please see technical drawings for grab bar positioning.



KDS 3460

59 3/4" x 33 1/2" x 80 1/8" - 82 1/8" - Gelcoat

KDS Series

- Four-piece gelcoated fiberglass shower with PIN system for easy front installation
- Large top corner shelves, wide soap dish and standard acrylic handle (opt. metallic finishes)
- Right/left-hand seat (drain opposite to seat) or no seat (center drain) • Textured floor
- Optional unique features: Reinforced walls and grab bars
- Product also available in Above-the-Floor Rough

GELCOAT SHOWERS



SHOWER MODEL

No	Model	Dimensions	Pkg	Approx. weight	Std Color(s)	Non-std Colors
142042-000-XXX	4-piece shower ¹ 142042-R-000-XXX Right seat, left drain 142042-L-000-XXX Left seat, right drain 142042-000-XXX No seat, center drain Specify: Standard colors: White (002), Bone (004), Biscuit (007) Non-standard colors: Refer to color chart in this book.	59 3/4 X 33 1/2 X 80 1/8 - 82 1/8 in. Door opening: 56 1/2 x 76 1/4	105 ft ³	155 lb	\$ 1,041	\$ 1,141
142043-000-XXX	4-piece shower AFR ¹ 142043-R-000-XXX Above-the-floor rough, right seat, left drain 142043-L-000-XXX Above-the-floor rough, left seat, right drain 142043-000-XXX Above-the-floor rough, no seat, center drain Specify: Standard colors: White (002), Bone (004), Biscuit (007) Non-standard colors: Refer to color chart in this book.	59 3/4 X 33 1/2 X 82 1/8 in.	105 ft ³	155 lb	\$ 1,041	\$ 1,141

SECTIONAL SHOWER COMPONENTS

142046-000-XXX	Shower base only with pin system 142046-R-000-XXX Right seat, left drain 142046-L-000-XXX Left seat, right drain 142046-000-XXX No seat, center drain	59 7/8 X 33 1/2 X 20 1/8 in.	28 ft ³	55 lb	\$ 617	\$ 667
142047-000-XXX	Shower base only with AFR with pin system 142047-R-000-XXX Above-the-floor rough, right seat, left drain 142047-L-000-XXX Above-the-floor rough, left seat, right drain 142047-000-XXX Above-the-floor rough, no seat, center drain	59 7/8 X 33 1/2 X 22 1/8 in.	28 ft ³	55 lb	\$ 617	\$ 667
142057-000-XXX	Side walls (right and left) for KDS 3448 and KDS 3460	23 3/8 X 1 1/2 X 60 in.	3.8 ft ³	40 lb	\$ 231	\$ 256
142061-000-XXX	Back wall for KDTS 3060, KDTS 3260, KDS 3060 and KDS 3460 ¹	59 7/8 X 10 1/8 X 60 in.	29 ft ³	60 lb	\$ 193	\$ 218

COMMON OPTIONS

No	Description	Approx. weight	List Price
OPT20200	Pre-assembled unit	N/A	\$ 49
OPT20212-B	Back Wall reinforcement ²	N/A	\$ 47
OPT20212-L	Left Wall reinforcement ²	N/A	\$ 47
OPT20212-R	Right Wall reinforcement ²	N/A	\$ 47
OPT10109-XXX	Metallic finish handle replacing acrylic handle Available colors: Chrome (084) and Brushed Nickel (105)	N/A	\$ 98
OPT20203-B-XXX	18 in. Modern Horizontal Straight Grab Bar on Back wall ³ Available colors: White (002), Chrome (084) and Brushed Nickel (105)	N/A	\$ 140
OPT20203-R-XXX	18 in. Modern Vertical Straight Grab Bar on Right wall ³ Available colors: White (002), Chrome (084) and Brushed Nickel (105)	N/A	\$ 140
OPT20203-L-XXX	18 in. Modern Vertical Straight Grab Bar on Left wall ³ Available colors: White (002), Chrome (084) and Brushed Nickel (105)	N/A	\$ 140
OPT20204-B-XXX	24 in. Modern Horizontal Straight Grab Bar on Back wall ³ Available colors: White (002), Chrome (084) and Brushed Nickel (105)	N/A	\$ 150

KDS 3460 (cont'd)

COMMON OPTIONS (CONT'D)

No	Description	Approx. weight	List Price
OPT20204-R-XXX	24 in. Modern Vertical Straight Grab Bar on Right wall ³ Available colors: White (002), Chrome (084) and Brushed Nickel (105)	N/A	\$ 150
OPT20204-L-XXX	24 in. Modern Vertical Straight Grab Bar on Left wall ³ Available colors: White (002), Chrome (084) and Brushed Nickel (105)	N/A	\$ 150

DOORS RECOMMENDED WITH THIS PRODUCT. REFER TO MAAK DOOR PRICE BOOK

No	Description
138315-XXX-XXX	Triple Plus 3-panel 58 x 66 in.
136457-XXX-XXX	Kleara® 2-panel 54 1/2 - 57 1/2 in.
105412-XXX-XXX	Polar 2-panel 54 - 59 1/2 in.
136672-XXX-XXX	Reveal 71 pivot door 56 - 59 x 71 1/2 in.
136881-XXX-XXX	Reveal 75 pivot door 56 - 59 x 75 in.
134572-XXX-XXX	Kameleon 8 mm 55 - 59 in.
134675-XXX-XXX	Kameleon Soft Close 8 mm 55 - 59 in.
134565-XXX-XXX	Kameleon 6 mm 55-59 in.
134665-XXX-XXX	Kameleon Soft Close 6 mm 55-59 in.

KDS & KDTS: Knock-Down Showers and Tub Showers

Easy steps to install

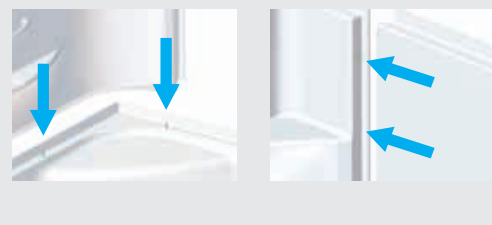
STEP-1

Level and install the shower base or the bathtub in the alcove.



STEP-2

Apply silicone and install the walls using the PIN system to guide them in place. Install the back wall and slide the side walls in.

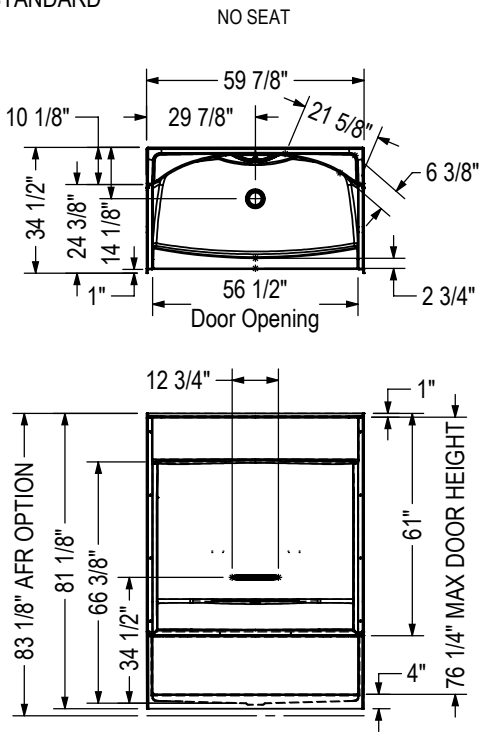


STEP-3

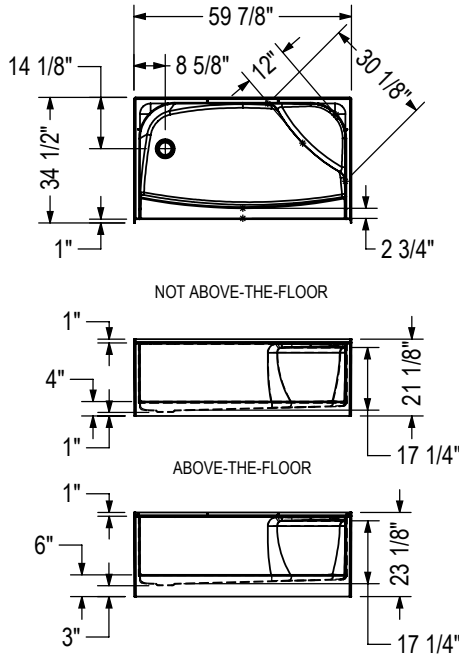
Secure the wall parts to the studs (shim if necessary).

KDS 3460 (cont'd)

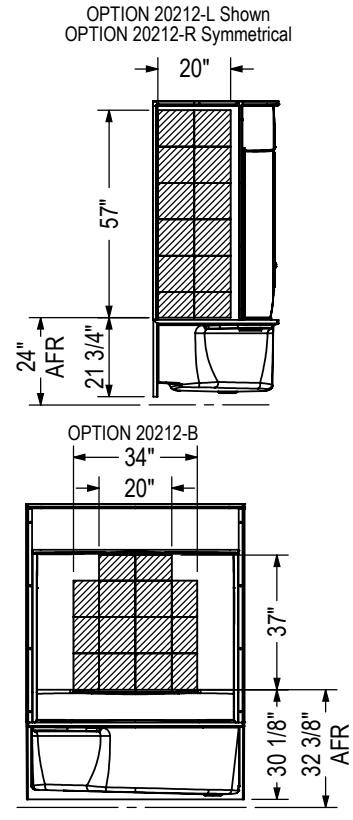
STANDARD



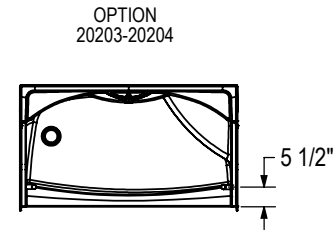
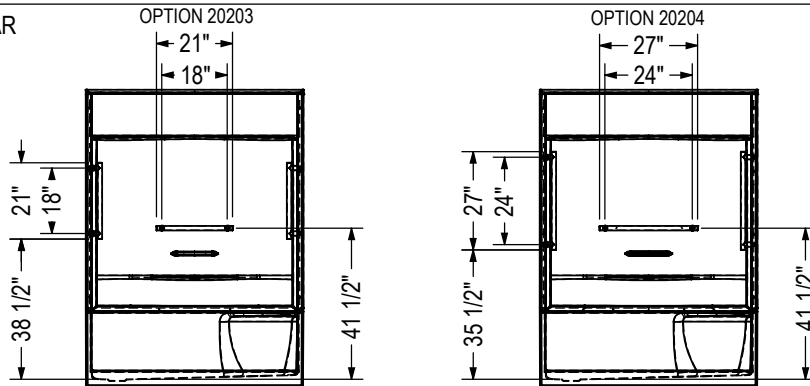
RIGHT SEAT SHOWN LEFT SEAT SYMMETRICAL



REINFORCEMENT BACKING



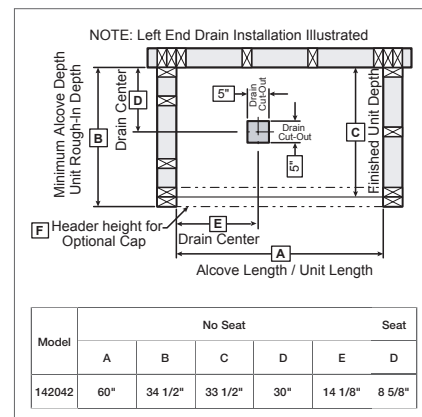
GRAB BAR



All dimensions are approximate. Structure measurements must be verified against the unit to ensure proper fit.

FOOTNOTES - BEFORE ORDERING, PLEASE SPECIFY:

- Handles for standard color showers are color-coordinated. Handles with metallic finish can be added (additional charge applies). For non-standard color showers, please specify handle color (additional charge applies for metallic finishes).
- Please see technical drawings for reinforcement positioning and size.
- Please see technical drawings for grab bar positioning.



KDS 3060

59 3/4" x 30" x 80 1/8" - 82 1/8" - Gelcoat

KDS Series

- Four-piece gelcoated fiberglass shower with PIN system for easy front installation
- Large top corner shelves, wide soap dish and standard acrylic handle (opt. metallic finishes)
- Right/left-hand seat (drain opposite to seat) or no seat (center drain) • Textured floor
- Optional unique features: Reinforced walls and grab bars
- Product also available in Above-the-Floor Rough



GELCOAT SHOWERS

SHOWER MODEL

No	Model	Dimensions	Pkg	Approx. weight	Std Color(s)	Non-std Colors
142036-000-XXX	4-piece shower ¹ 142036-R-000-XXX Right seat, left drain 142036-L-000-XXX Left seat, right drain 142036-000-XXX No seat, center drain Specify: Standard colors: White (002), Bone (004), Biscuit (007) Non-standard colors: Refer to color chart in this book.	59 3/4 X 30 X 80 1/8 - 82 1/8 in. Door opening: 56 1/2 x 76 1/4	99 ft ³	152 lb	\$ 957	\$ 1,057
142037-000-XXX	4-piece shower AFR ¹ 142037-R-000-XXX Above-the-floor rough, right seat, left drain 142037-L-000-XXX Above-the-floor rough, left seat, right drain 142037-000-XXX Above-the-floor rough, no seat, center drain Specify: Standard colors: White (002), Bone (004), Biscuit (007) Non-standard colors: Refer to color chart in this book.	59 3/4 X 30 X 82 1/4 in.	99 ft ³	152 lb	\$ 957	\$ 1,057

SECTIONAL SHOWER COMPONENTS

142040-000-XXX	Shower base only with pin system 142040-R-000-XXX Right seat, left drain 142040-L-000-XXX Left seat, right drain 142040-000-XXX No seat, center drain	59 7/8 X 30 X 20 1/8 in.	28 ft ³	52 lb	\$ 551	\$ 601
142041-000-XXX	Shower base only AFR with pin system 142041-R-000-XXX Above-the-floor rough, right seat, left drain 142041-L-000-XXX Above-the-floor rough, left seat, right drain 142041-000-XXX Above-the-floor rough, no seat, center drain	59 7/8 X 30 X 22 1/8 in.	28 ft ³	52 lb	\$ 551	\$ 601
142048-000-XXX	Side walls (right and left) for KDTS 2954, KDTS 3060 and KDS 3060	19 7/8 X 1 1/2 X 60 in.	3.2 ft ³	40 lb	\$ 213	\$ 238
142061-000-XXX	Back wall for KDTS 3060, KDTS 3260, KDS 3060 and KDS 3460 ¹	59 7/8 X 10 1/8 X 60 in.	29 ft ³	60 lb	\$ 193	\$ 218

COMMON OPTIONS

No	Description	Approx. weight	List Price
OPT20200	Pre-assembled unit	N/A	\$ 49
OPT20212-B	Back Wall reinforcement ²	N/A	\$ 47
OPT20212-L	Left Wall reinforcement ²	N/A	\$ 47
OPT20212-R	Right Wall reinforcement ²	N/A	\$ 47
OPT10109-XXX	Metallic finish handle replacing acrylic handle Available colors: Chrome (084) and Brushed Nickel (105)	N/A	\$ 98
OPT20203-B-XXX	18 in. Modern Horizontal Straight Grab Bar on Back wall ³ Available colors: White (002), Chrome (084) and Brushed Nickel (105)	N/A	\$ 140
OPT20203-R-XXX	18 in. Modern Vertical Straight Grab Bar on Right wall ³ Available colors: White (002), Chrome (084) and Brushed Nickel (105)	N/A	\$ 140
OPT20203-L-XXX	18 in. Modern Vertical Straight Grab Bar on Left wall ³ Available colors: White (002), Chrome (084) and Brushed Nickel (105)	N/A	\$ 140
OPT20204-B-XXX	24 in. Modern Horizontal Straight Grab Bar on Back wall ³ Available colors: White (002), Chrome (084) and Brushed Nickel (105)	N/A	\$ 150

KDS 3060 (cont'd)

COMMON OPTIONS (CONT'D)

No	Description	Approx. weight	List Price
OPT20204-R-XXX	24 in. Modern Vertical Straight Grab Bar on Right wall ³ Available colors: White (002), Chrome (084) and Brushed Nickel (105)	N/A	\$ 150
OPT20204-L-XXX	24 in. Modern Vertical Straight Grab Bar on Left wall ³ Available colors: White (002), Chrome (084) and Brushed Nickel (105)	N/A	\$ 150

DOORS RECOMMENDED WITH THIS PRODUCT. REFER TO MAAX DOOR PRICE BOOK

No	Description
138315-XXX-XXX	Triple Plus 3-panel 58 x 66 in.
136457-XXX-XXX	Kleara® 2-panel 54 1/2 - 57 1/2 in.
105412-XXX-XXX	Polar 2-panel 54 - 59 1/2 in.
136672-XXX-XXX	Reveal 71 pivot door 56 - 59 x 71 1/2 in.
136881-XXX-XXX	Reveal 75 pivot door 56 - 59 x 75 in.
134572-XXX-XXX	Kameleon 8 mm 55 - 59 in.
134675-XXX-XXX	Kameleon Soft Close 8 mm 55 - 59 in.
134565-XXX-XXX	Kameleon 6 mm 55-59 in.
134665-XXX-XXX	Kameleon Soft Close 6 mm 55-59 in.

MAAX® SHOWER DOORS

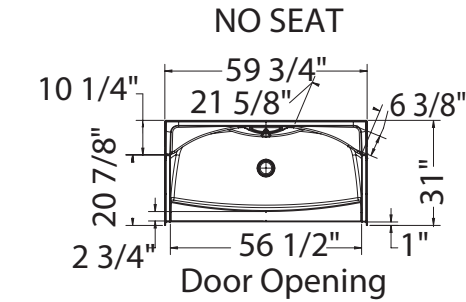
MAAX offers a [wide selection of custom-fit shower door styles](#) that work seamlessly with many AKER bathtubs, tub showers, showers and shower bases. Consult the Recommended MAAX Shower Doors list at the end of each product section for more information.

www.maax.com

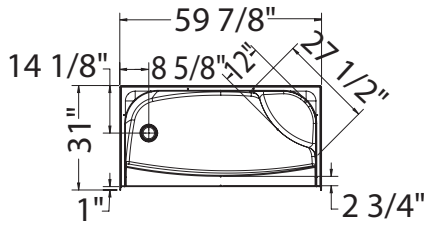


KDS 3060 (cont'd)

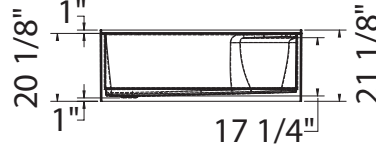
STANDARD



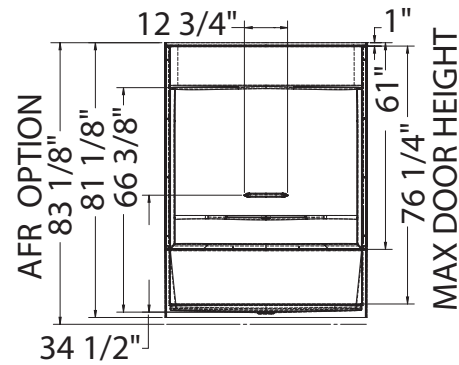
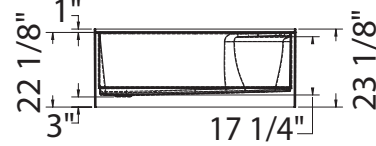
RIGHT SEAT SHOWN LEFT SEAT SYMMETRICAL



NOT ABOVE-THE-FLOOR

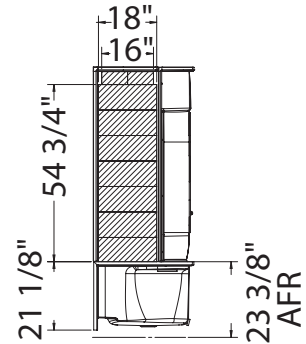


ABOVE-THE-FLOOR

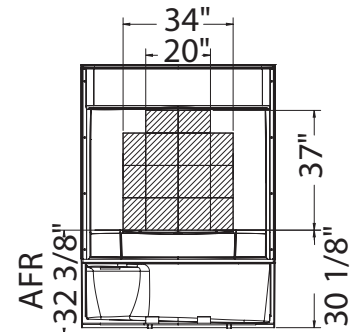


REINFORCEMENT BACKING

OPTION 20212-L Shown OPTION 20212-R Symetrical

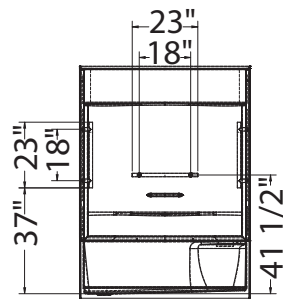


OPTION 20212-B

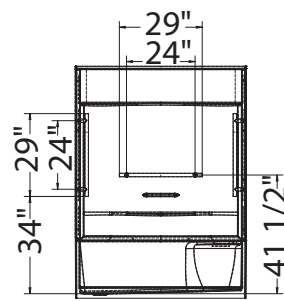


GRAB BARS

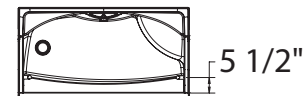
OPTION 20203



OPTION 20204



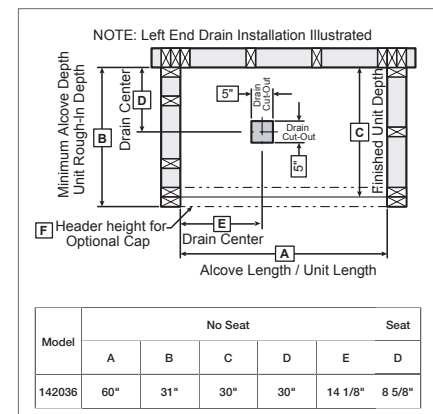
OPTION 20203-20204



All dimensions are approximate. Structure measurements must be verified against the unit to ensure proper fit.

FOOTNOTES - BEFORE ORDERING, PLEASE SPECIFY:

1. Handles for standard color showers are color-coordinated. Handles with metallic finish can be added (additional charge applies). For non-standard color showers, please specify handle color (additional charge applies for metallic finishes).
2. Please see technical drawings for reinforcement positioning and size.
3. Please see technical drawings for grab bar positioning.



KDS 3448

47 7/8" x 33 5/8" x 80 1/8" - 82 1/8" - Gelcoat

KDS Series

- Four-piece gelcoated fiberglass shower with PIN system for easy front installation
- Large top corner shelves, wide soap dish and standard acrylic handle (opt. metallic finishes)
- Right/left-hand seat or no seat • Center drain • Textured floor
- Optional unique features: Reinforced walls and grab bars
- Product also available in Above-the-Floor Rough

GELCOAT SHOWERS



SHOWER MODEL

No	Model	Dimensions	Pkg	Approx. weight	Std Color(s)	Non-std Colors
142030-000-XXX	4-piece shower ¹ 142030-R-000-XXX Right seat, center drain 142030-L-000-XXX Left seat, center drain 142030-000-XXX No seat, center drain Specify: Standard colors: White (002), Bone (004), Biscuit (007) Non-standard colors: Refer to color chart in this book.	47 7/8 X 33 5/8 X 80 1/8 - 82 1/8 in. Door opening: 44 1/2 x 76 1/4	83 ft ³	141 lb	\$ 841	\$ 941
142031-000-XXX	4-piece shower AFR ¹ 142031-R-000-XXX Above-the-floor rough, right seat, center drain 142031-L-000-XXX Above-the-floor rough, left seat, center drain 142031-000-XXX Above-the-floor rough, no seat, center drain Specify: Standard colors: White (002), Bone (004), Biscuit (007) Non-standard colors: Refer to color chart in this book.	47 7/8 X 33 5/8 X 82 1/4 in.	83 ft ³	141 lb	\$ 841	\$ 941

SECTIONAL SHOWER COMPONENTS

142034-000-XXX	Shower base only with pin system 142034-R-000-XXX Right seat, center drain 142034-L-000-XXX Left seat, center drain 142034-000-XXX No seat, center drain	47 7/8 X 33 5/8 X 20 1/8 in.	24.6 ft ³	45 lb	\$ 475	\$ 525
142035-000-XXX	Shower base only with AFR with pin system 142035-R-000-XXX Above-the-floor rough, right seat, center drain 142035-L-000-XXX Above-the-floor rough, left seat, center drain 142035-000-XXX Above-the-floor rough, no seat, center drain	47 7/8 X 33 5/8 X 22 1/8 in.	24.6 ft ³	45 lb	\$ 475	\$ 525
142057-000-XXX	Side walls (right and left) for KDS 3448 and KDS 3460	23 3/8 X 1 1/2 X 60 in.	3.8 ft ³	40 lb	\$ 231	\$ 256
142064-000-XXX	Back wall for KDS 3448 ¹	47 7/8 X 10 1/8 X 60 in.	22.5 ft ³	56 lb	\$ 135	\$ 160

COMMON OPTIONS

No	Description	Approx. weight	List Price
OPT20200	Pre-assembled unit	N/A	\$ 49
OPT20212-B	Back Wall reinforcement ²	N/A	\$ 47
OPT20212-L	Left Wall reinforcement ²	N/A	\$ 47
OPT20212-R	Right Wall reinforcement ²	N/A	\$ 47
OPT10109-XXX	Metallic finish handle replacing acrylic handle Available colors: Chrome (084) and Brushed Nickel (105)	N/A	\$ 98
OPT20203-B-XXX	18 in. Modern Horizontal Straight Grab Bar on Back wall ³ Available colors: White (002), Chrome (084) and Brushed Nickel (105)	N/A	\$ 140
OPT20203-R-XXX	18 in. Modern Vertical Straight Grab Bar on Right wall ³ Available colors: White (002), Chrome (084) and Brushed Nickel (105)	N/A	\$ 140
OPT20203-L-XXX	18 in. Modern Vertical Straight Grab Bar on Left wall ³ Available colors: White (002), Chrome (084) and Brushed Nickel (105)	N/A	\$ 140
OPT20204-R-XXX	24 in. Modern Vertical Straight Grab Bar on Right wall ³ Available colors: White (002), Chrome (084) and Brushed Nickel (105)	N/A	\$ 150

KDS 3448 (cont'd)

COMMON OPTIONS (CONT'D)

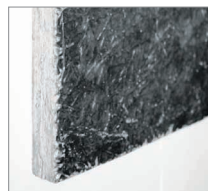
No	Description	Approx. weight	List Price
OPT20204-L-XXX	24 in. Modern Vertical Straight Grab Bar on Left wall ³ Available colors: White (002), Chrome (084) and Brushed Nickel (105)	N/A	\$ 150

DOORS RECOMMENDED WITH THIS PRODUCT. REFER TO MAAK DOOR PRICE BOOK

No	Description
138296-XXX-XXX	Triple Plus 3-panel 44 1/2 x 66 in.
136453-XXX-XXX	Kleara® 2-panel 42 1/2 - 45 1/2 in.
105414-XXX-XXX	Session 2-panel 42 - 47 1/2 in.
105413-XXX-XXX	Polar 2-panel 42 - 47 1/2 in.
136671-XXX-XXX	Reveal 71 pivot door 44 - 47 x 71 1/2 in.
136880-XXX-XXX	Reveal 75 pivot door 44 - 47 x 75 in. (1118-1194 x 1905 mm)
134571-XXX-XXX	Kameleon 8 mm 43 - 47 in.
134674-XXX-XXX	Kameleon Soft Close 8 mm 43 - 47 in.
134563-XXX-XXX	Kameleon 6 mm 43-47 in.
134663-XXX-XXX	Kameleon Soft Close 6 mm 43-47 in.

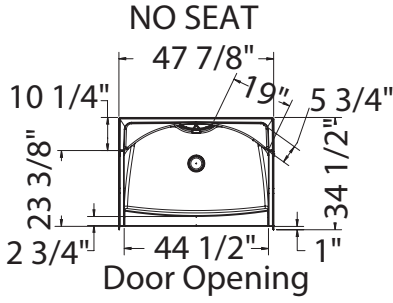
REINFORCED SIDES FOR A STURDIER AND SAFER SHOWER

Sidewalls reinforced with fiberglass and wood ensure sturdier shower door and grab bar installation, [meaning a safer overall product.](#)

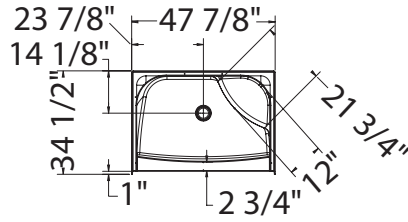


KDS 3448 (cont'd)

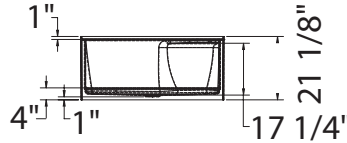
STANDARD



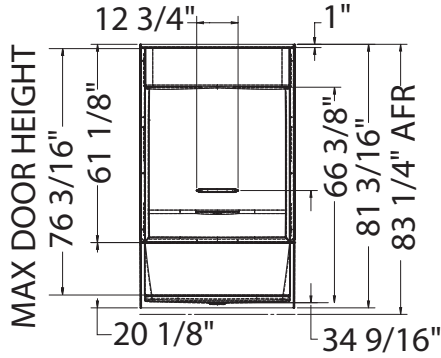
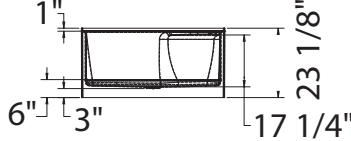
RIGHT SEAT SHOWN LEFT SEAT SYMMETRICAL



NOT ABOVE-THE-FLOOR

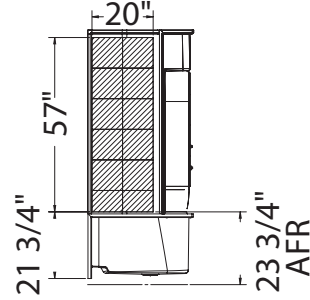


ABOVE-THE-FLOOR

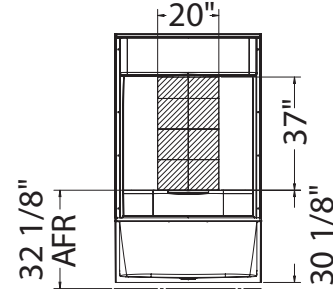


REINFORCEMENT BACKING

OPTION 20212-L Shown OPTION 20212-R Symetrical



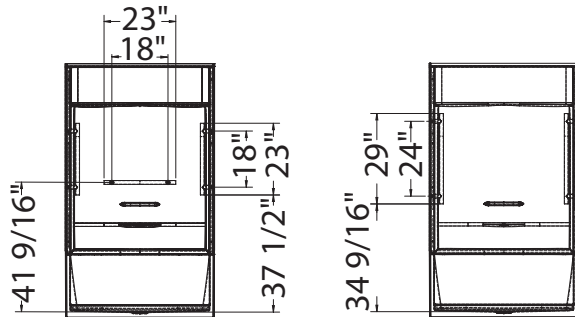
OPTION 20212-B



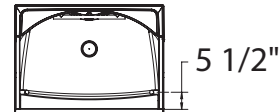
GRAB BARS

OPTION 20203

OPTION 20204



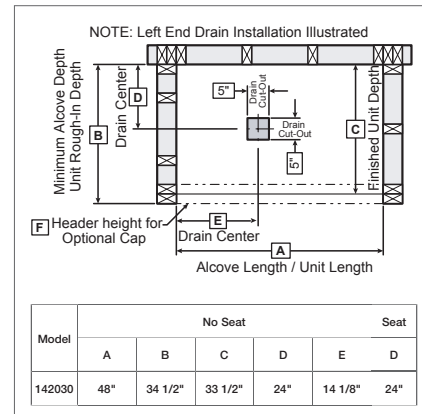
OPTION 20203-20204



All dimensions are approximate. Structure measurements must be verified against the unit to ensure proper fit.

FOOTNOTES - BEFORE ORDERING, PLEASE SPECIFY:

- Handles for standard color showers are color-coordinated. Handles with metallic finish can be added (additional charge applies). For non-standard color showers, please specify handle color (additional charge applies for metallic finishes).
- Please see technical drawings for reinforcement positioning and size.
- Please see technical drawings for grab bar positioning.



KDS 3636

35 7/8" x 36" x 76 - 79 1/2" - Gelcoat

KDS Series

- Four-piece gelcoated fiberglass shower with PIN system for easy front installation
- Large top corner shelves, footrests and standard acrylic handle (opt. metallic finishes)
- Center drain • Textured floor
- Optional unique features: Reinforced walls and grab bars
- Product also available in Above-the-Floor Rough



GELCOAT SHOWERS

SHOWER MODEL

No	Model	Dimensions	Pkg	Approx. weight	Std Color(s)	Non-std Colors
142024-000-XXX	4-piece shower ¹ 142024-000-XXX Center drain Specify: Standard colors: White (002), Bone (004), Biscuit (007) Non-standard colors: Refer to color chart in this book.	35 7/8 X 36 X 76 - 79 1/2 in. Door opening: 32 1/2 x 72 5/8	64 ft ³	132 lb	\$ 753	\$ 853
142025-000-XXX	4-piece shower AFR ¹ 142025-000-XXX Above-the-floor rough, center drain Specify: Standard colors: White (002), Bone (004), Biscuit (007) Non-standard colors: Refer to color chart in this book.	35 7/8 X 36 X 79 1/2 in.	64 ft ³	132 lb	\$ 753	\$ 853

SECTIONAL SHOWER COMPONENTS

142028-000-XXX	Shower base only with pin system 142028-000-XXX Center drain	35 7/8 X 36 X 3 3/8 in.	7.4 ft ³	35 lb	\$ 271	\$ 321
142029-000-XXX	Shower base only with AFR with pin system 142029-000-XXX , Above-the-floor rough, center drain	35 7/8 X 36 X 6 7/8 in.	7.4 ft ³	35 lb	\$ 271	\$ 321
142054-000-XXX	Side walls (right and left) for KDS 3232 and KDS 3636	24 3/8 X 1 1/2 X 72 5/8 in.	4.9 ft ³	45 lb	\$ 230	\$ 255
142063-000-XXX	Back wall for KDS 3636 ¹	35 7/8 X 11 3/4 X 72 5/8 in.	22.5 ft ³	52 lb	\$ 252	\$ 277

COMMON OPTIONS

No	Description	Approx. weight	List Price
OPT20200	Pre-assembled unit	N/A	\$ 49
OPT20212-B	Back Wall reinforcement ²	N/A	\$ 47
OPT20212-L	Left Wall reinforcement ²	N/A	\$ 47
OPT20212-R	Right Wall reinforcement ²	N/A	\$ 47
OPT10109-XXX	Metallic finish handle replacing acrylic handle Available colors: Chrome (084) and Brushed Nickel (105)	N/A	\$ 98
OPT20203-B-XXX	18 in. Modern Horizontal Straight Grab Bar on Back wall ³ Available colors: White (002), Chrome (084) and Brushed Nickel (105)	N/A	\$ 140
OPT20203-R-XXX	18 in. Modern Vertical Straight Grab Bar on Right wall ³ Available colors: White (002), Chrome (084) and Brushed Nickel (105)	N/A	\$ 140
OPT20203-L-XXX	18 in. Modern Vertical Straight Grab Bar on Left wall ³ Available colors: White (002), Chrome (084) and Brushed Nickel (105)	N/A	\$ 140
OPT20204-R-XXX	24 in. Modern Vertical Straight Grab Bar on Right wall ³ Available colors: White (002), Chrome (084) and Brushed Nickel (105)	N/A	\$ 150
OPT20204-L-XXX	24 in. Modern Vertical Straight Grab Bar on Left wall ³ Available colors: White (002), Chrome (084) and Brushed Nickel (105)	N/A	\$ 150

KDS 3636 (cont'd)

DOORS RECOMMENDED WITH THIS PRODUCT. REFER TO MAAX DOOR PRICE BOOK

No	Description
136449-XXX-XXX	Kleara® 1-panel 31 1/2 - 33 1/2 in.
136435-XXX-XXX	Pivolok Deluxe 1-panel 32 1/2 - 37 in.
136655-XXX-XXX	Pivolok 1-panel 31 - 32 3/4 in.
105417-XXX-XXX	Madono 1-panel 31 1/2 - 33 1/2 in.
105485-XXX-XXX	Alexa® 1-panel 31 1/2 - 33 1/2 in.
136676-XXX-XXX	Reveal 71 pivot door 32 1/2 - 35 1/2 x 71 1/2 in.

A SECURE FIT EVERY TIME

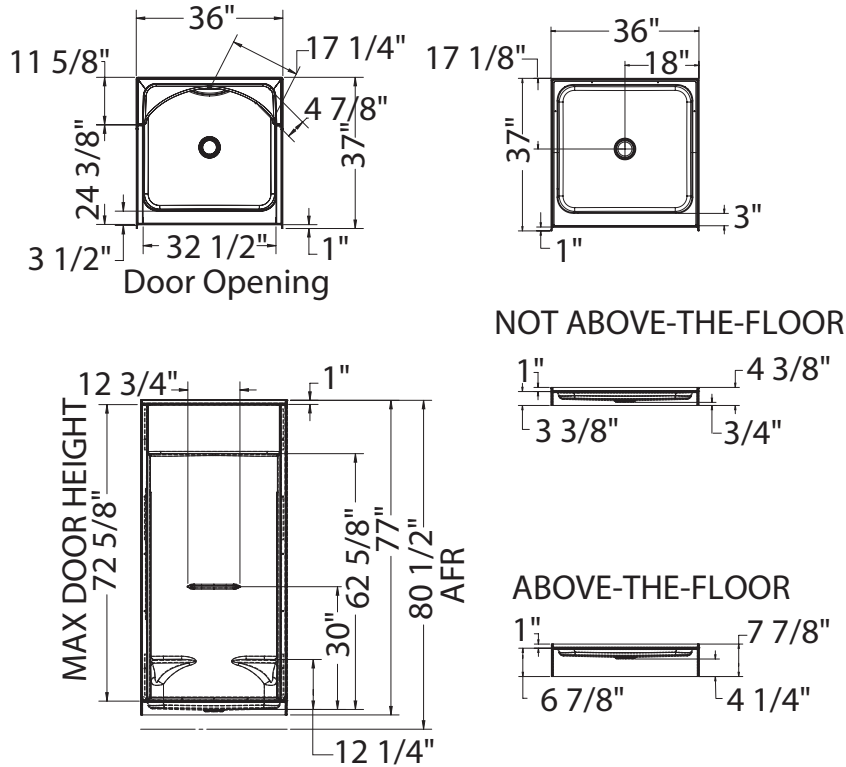
Our enhanced, patented front installation [PIN system](#) was designed with the installer in mind. Used in our KDS Series, this [time-and money-saving solution](#) eliminates the need for rear access. And pins are made of sturdier material for a tighter fit between the parts.

Did you know? Our sturdy, innovative PIN system is available in our new KDS Series of multi-piece showers and tub showers.



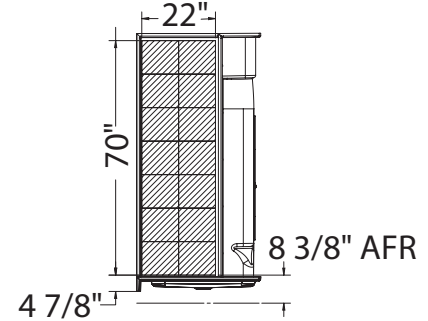
KDS 3636 (cont'd)

STANDARD

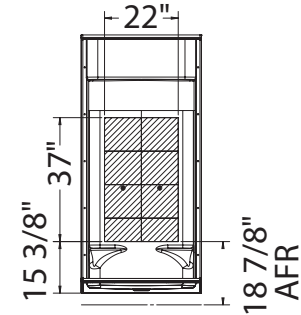


REINFORCEMENT BACKING

OPTION 20212-L Shown
OPTION 20212-R Symmetrical



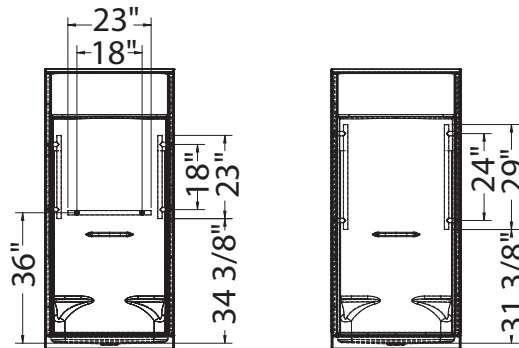
OPTION 20212-B



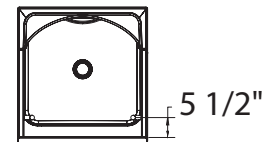
GRAB BARS

OPTION 20203

OPTION 20204



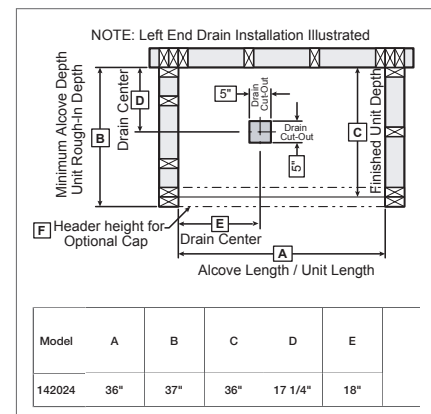
OPTION
20203-20204



All dimensions are approximate. Structure measurements must be verified against the unit to ensure proper fit.

FOOTNOTES - BEFORE ORDERING, PLEASE SPECIFY:

1. Handles for standard color showers are color-coordinated. Handles with metallic finish can be added (additional charge applies). For non-standard color showers, please specify handle color (additional charge applies for metallic finishes).
2. Please see technical drawings for reinforcement positioning and size.
3. Please see technical drawings for grab bar positioning.



KDS 3232

31 7/8" x 32" x 76 - 79 1/2" - Gelcoat

KDS Series

- Four-piece gelcoated fiberglass shower with PIN system for easy front installation
- Large top corner shelves, footrests and standard acrylic handle (opt. metallic finishes)
- Center drain • Textured floor
- Optional unique features: Reinforced walls and grab bars
- Product also available in Above-the-Floor Rough



GELCOAT SHOWERS

SHOWER MODEL

No	Model	Dimensions	Pkg	Approx. weight	Std Color(s)	Non-std Colors
142018-000-XXX	4-piece shower ¹ 142018-000-XXX Center drain Specify: Standard colors: White (002), Bone (004), Biscuit (007) Non-standard colors: Refer to color chart in this book.	31 7/8 X 32 X 76 - 79 1/2 in. Door opening: 28 1/2 x 72 5/8	52 ft ³	122 lb	\$ 677	\$ 777
142019-000-XXX	4-pieces shower AFR ¹ 142019-000-XXX Above-the-floor rough, center drain Specify: Standard colors: White (002), Bone (004), Biscuit (007) Non-standard colors: Refer to color chart in this book.	31 7/8 X 32 X 79 1/2 in.	52 ft ³	122 lb	\$ 677	\$ 777

SECTIONAL SHOWER COMPONENTS

142022-000-XXX	Shower base only with pin system 142022-000-XXX Center drain	31 7/8 X 32 X 3 3/8 in.	6.9 ft ³	32 lb	\$ 236	\$ 286
142023-000-XXX	Shower base only with AFR with pin system 142023-000-XXX Above-the-floor rough, center drain	31 7/8 X 32 X 6 7/8 in.	6.9 ft ³	32 lb	\$ 236	\$ 286
142054-000-XXX	Side walls (right and left) for KDS 3232 and KDS 3636	24 3/8 X 1 1/2 X 72 5/8 in.	4.9 ft ³	45 lb	\$ 230	\$ 255
142062-000-XXX	Back wall for KDS 3232 ¹	31 7/8 X 7 5/8 X 72 5/8 in.	20.5 ft ³	45 lb	\$ 211	\$ 236

COMMON OPTIONS

No	Description	Approx. weight	List Price
OPT20200	Pre-assembled unit	N/A	\$ 49
OPT20212-B	Back Wall reinforcement ²	N/A	\$ 47
OPT20212-L	Left Wall reinforcement ²	N/A	\$ 47
OPT20212-R	Right Wall reinforcement ²	N/A	\$ 47
OPT10109-XXX	Metallic finish handle replacing acrylic handle Available colors: Chrome (084) and Brushed Nickel (105)	N/A	\$ 98
OPT20203-B-XXX	18 in. Modern Horizontal Straight Grab Bar on Back wall ³ Available colors: White (002), Chrome (084) and Brushed Nickel (105)	N/A	\$ 140
OPT20203-L-XXX	18 in. Modern Vertical Straight Grab Bar on Left wall ³ Available colors: White (002), Chrome (084) and Brushed Nickel (105)	N/A	\$ 140
OPT20203-R-XXX	18 in. Modern Vertical Straight Grab Bar on Right wall ³ Available colors: White (002), Chrome (084) and Brushed Nickel (105)	N/A	\$ 140
OPT20204-L-XXX	24 in. Modern Vertical Straight Grab Bar on Left wall ³ Available colors: White (002), Chrome (084) and Brushed Nickel (105)	N/A	\$ 150
OPT20204-R-XXX	24 in. Modern Vertical Straight Grab Bar on Right wall ³ Available colors: White (002), Chrome (084) and Brushed Nickel (105)	N/A	\$ 150

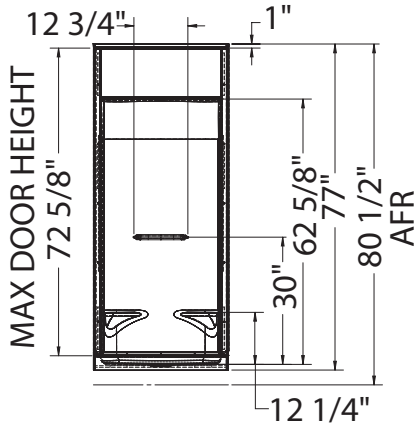
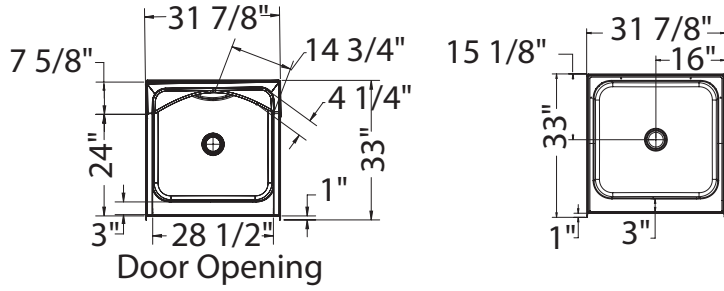
KDS 3232 (cont'd)

DOORS RECOMMENDED WITH THIS PRODUCT. REFER TO MAAK DOOR PRICE BOOK

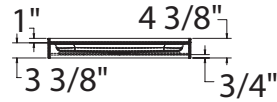
No	Description
136447-XXX-XXX	Kleara® 1-panel 27 1/2 - 29 1/2 in.
136425-XXX-XXX	Pivolok Deluxe 1-panel 28 - 32 1/2 in.
136635-XXX-XXX	Pivolok 1-panel 27 - 28 3/4 in.
105416-XXX-XXX	Madono 1-panel 28 1/2 - 30 1/2 in.
105484-XXX-XXX	Alexa® 1-panel 28 1/2 - 30 1/2 in.

KDS 3232 (cont'd)

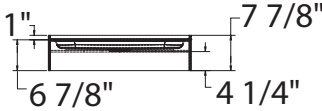
STANDARD



NOT ABOVE-THE-FLOOR

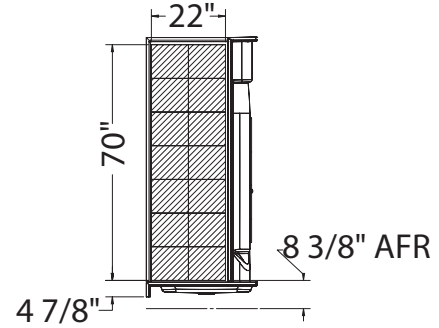


ABOVE-THE-FLOOR

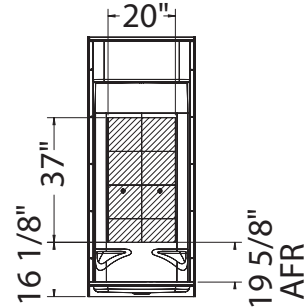


REINFORCEMENT BACKING

OPTION 20212-L Shown
OPTION 20212-R Symetrical



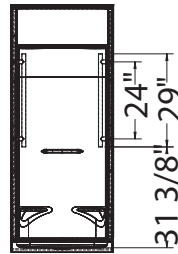
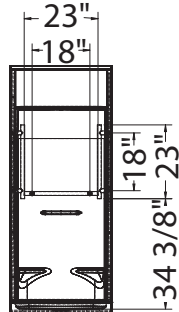
OPTION 20212-B



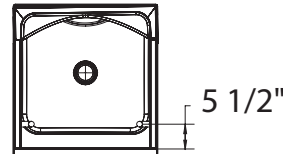
GRAB BARS

OPTION 20203

OPTION 20204



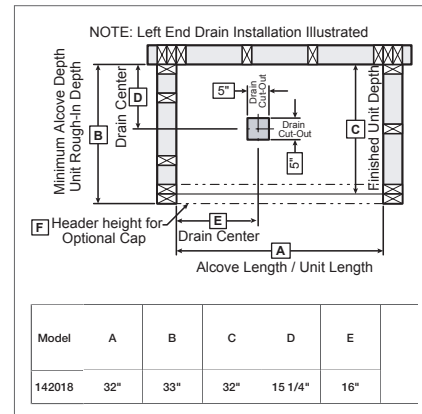
OPTION 20203-20204



All dimensions are approximate. Structure measurements must be verified against the unit to ensure proper fit.

FOOTNOTES - BEFORE ORDERING, PLEASE SPECIFY:

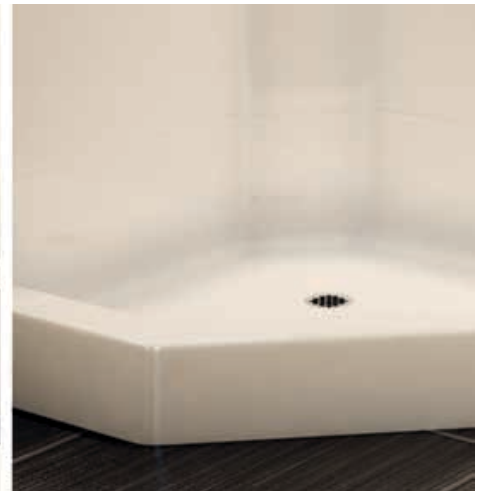
- Handles for standard color showers are color-coordinated. Handles with metallic finish can be added (additional charge applies). For non-standard color showers, please specify handle color (additional charge applies for metallic finishes).
- Please see technical drawings for reinforcement positioning and size.
- Please see technical drawings for grab bar positioning.



KD-NAS

38" x 38" x 76 1/2" - Gelcoat

- Two-piece neo-angle corner shower
- Built-in corner shelf
- Center drain
- Textured floor



GELCOAT SHOWERS

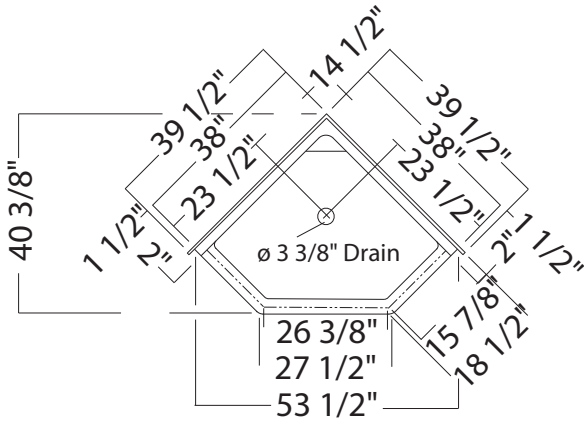
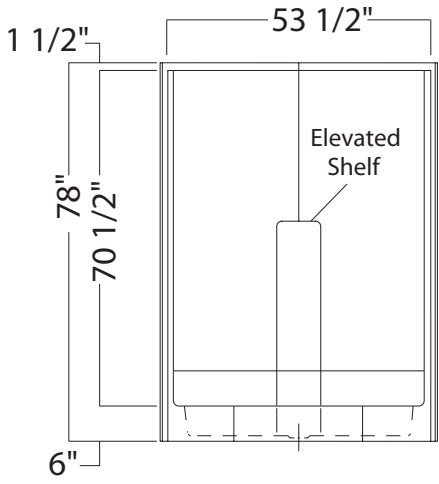
SHOWER MODEL

No	Model	Dimensions	Pkg	Approx. weight	Std Color(s)	Non-std Colors
141047-000-XXX	2-piece shower 141047-000-XXX Center drain Specify: Standard colors: White (002), Bone (004), Biscuit (007) Non-standard colors: Refer to color chart in this book.	38 X 38 X 76 1/2 in.	71.7 ft ³	97 lb	\$ 683	\$ 783

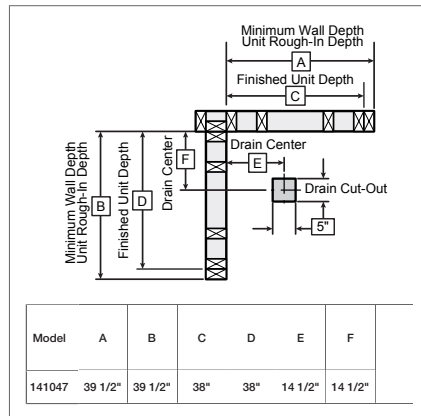
DOORS RECOMMENDED WITH THIS PRODUCT. REFER TO MAAK DOOR PRICE BOOK

No	Description
137610-XXX-XXX	Illusion neo-angle 38 X 38 in.
137250-XXX-XXX	Intuition neo-angle 38 X 38 in.

KD-NAS (cont'd)



All dimensions are approximate. Structure measurements must be verified against the unit to ensure proper fit.

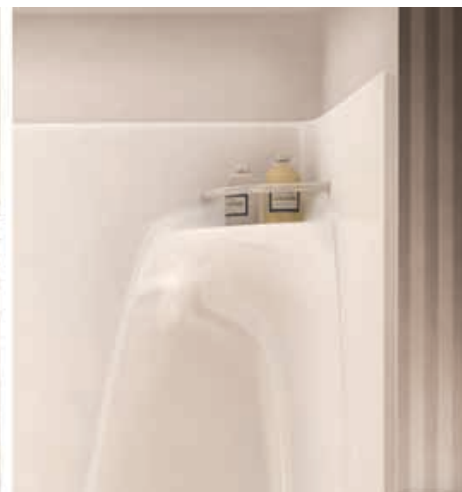


ACTS-3P-3360

60" x 33 1/4" x 75 - 76 7/8" - Acrylic



- Three-piece acrylic tub-shower • Textured floor
- Built-in corner shelves with optional shelf rails • Optional handle
- Optional unique feature: Above-the-Floor Rough • Right or left-hand drain
- Comes with an access panel when equipped with a whirlpool system
- 14 1/2" deep sump • Bottom bathing well : 49" L x 22 1/4" W



ACRYLIC TUB SHOWERS

TUB SHOWER MODEL

No	Model	Dimensions	Pkg	Approx. weight	Std Color(s)
141014-S-000-XXX	3-piece tub shower 141014-SR-000-XXX Right-hand drain 141014-SL-000-XXX Left-hand drain Specify: Standard colors: White (001), Bone (004), Biscuit (007)	60 X 33 1/4 X 75 - 76 7/8 in.	90.9 ft ³	136 lb	\$ 1,814
	3-piece tub shower AFR 141014-AFR/SR-000-XXX Above-the-floor rough, right-hand drain 141014-AFR/SL-000-XXX Above-the-floor rough, left-hand drain Specify: Standard colors: White (001), Bone (004), Biscuit (007)				

BODYWRAP WHIRLPOOL SYSTEM

No	Model	Approx. weight	Std Color(s)
141014-S-057-XXX	Tub shower with Bodywrap whirlpool w/micro switch ¹ 141014-SR-057-XXX Right-hand drain 141014-SL-057-XXX Left-hand drain 141014-AFR/SR-057-XXX Above-the-floor rough, right-hand drain 141014-AFR/SL-057-XXX Above-the-floor rough, left-hand drain Specify: Standard colors: White (001), Bone (004), Biscuit (007)	136 lb	\$ 3,022

COMMON OPTIONS

No	Description	Approx. weight	List Price
OPT10167-105	Brushed Nickel Shelf Rails	N/A	\$ 172
OPT10167-084	Chrome Shelf Rails	N/A	\$ 142
OPT10167-085	Polished Brass Shelf Rails	N/A	\$ 172
OPT10168	Removable access panel for non-jetted model	N/A	\$ 83
OPT10169-007	12" Handle in Biscuit	N/A	\$ 51
OPT10169-004	12" Handle in Bone	N/A	\$ 51
OPT10169-105	12" Handle in Brushed Nickel	N/A	\$ 160
OPT10169-001	12" Handle in White	N/A	\$ 51
OPT10169-084	12" Handle in Chrome	N/A	\$ 160

WHIRLPOOL OPTIONS

No	Description	Approx. weight	List Price
OPT10172	In-Line Heater (factory installed)	N/A	\$ 426
OPT10174	Pump position opposite standard position ²	N/A	\$ 68
OPT20139	Ozonator for Bodywrap whirlpool system	N/A	\$ 362
OPT20209-XXX	Trim kit for Bodywrap whirlpool (057) (factory installed) Available colors: Chrome (084), Polished Brass (085), Mixed Chrome and Polished Brass (164), Nickel (105) List price: Included	N/A	No Charge

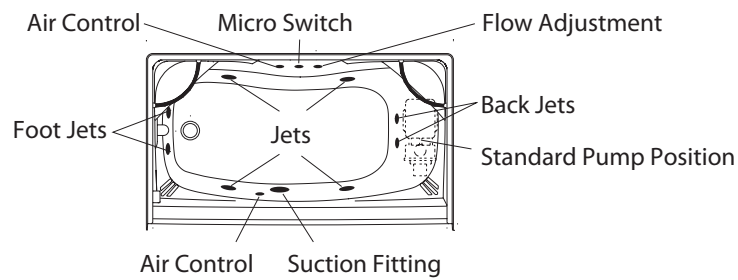
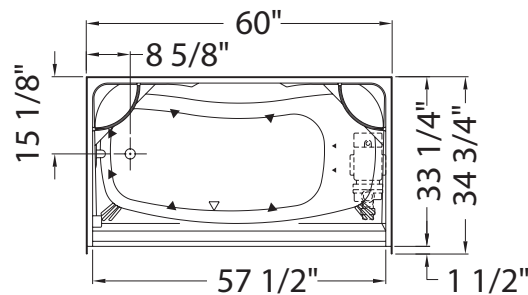
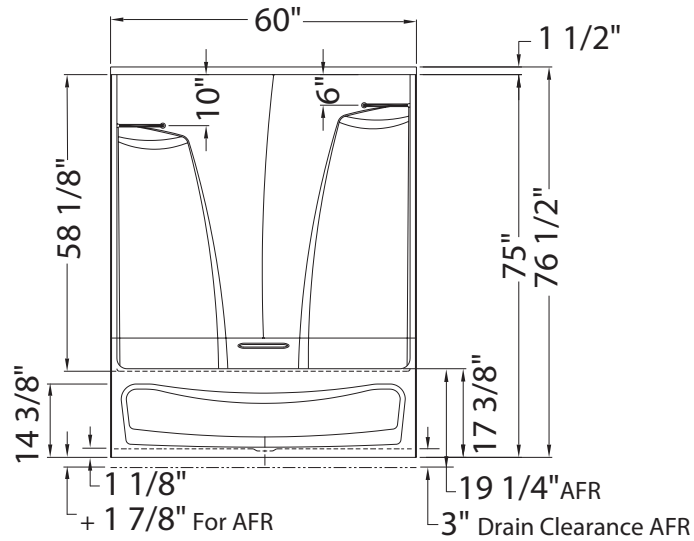
ACTS-3P-3360 (cont'd)

DOORS RECOMMENDED WITH THIS PRODUCT. REFER TO MAAX DOOR PRICE BOOK

ACRYLIC TUB SHOWERS

No	Description
138400-XXX-XXX	Triple Plus 3-panel 59 1/2 in.
135130-XXX-XXX	Tub Shield 1-panel 30 in.
135630-XXX-XXX	Tub Shield 1-panel 30 in.
135340-XXX-XXX	3 folding panels 39 1/2 in.
105410-XXX-XXX	Polar 2-panel 54 - 59 1/2 in.
105409-XXX-XXX	Mika 2-panel 54 - 59 1/2 in.
104031-XXX-XXX	Canvas 2-panel 54 - 59 1/2 in.
134561-XXX-XXX	Kameleon 6 mm 55 - 59 in.
134661-XXX-XXX	Kameleon Soft Close 6 mm 55 - 59 in.
134573-XXX-XXX	Kameleon 8 mm 55 - 59 in.
134670-XXX-XXX	Kameleon Soft Close 8 mm 55 - 59 in.
138402-XXX-XXX	Halo 1-panel 56 1/2-59 x 59 in.

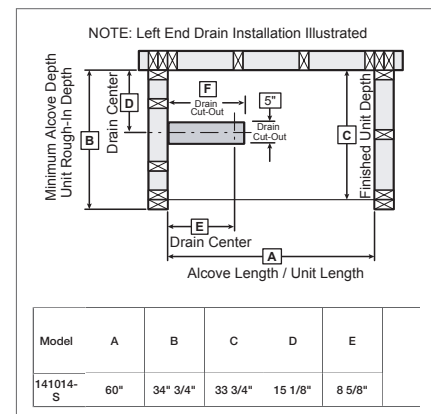
ACTS-3P-3360 (cont'd)



All dimensions are approximate. Structure measurements must be verified against the unit to ensure proper fit.

FOOTNOTES - BEFORE ORDERING, PLEASE SPECIFY:

- Components for standard color bathtubs equipped with Bodywrap whirlpool are color-coordinated. Trim kit with metallic finish can be added. For non-standard color bathtubs, please order OPT 20209 and specify trim kit color.
- The pump on opposite side of standard location will exceed the bathtub dimensions from 8 to 10 inches.



ACSH-3P-60

60" x 34 1/4" x 76 1/4" - 78 1/4" - Acrylic

- Three-piece acrylic shower
- Built-in corner shelves with optional shelf rails • Optional acrylic handle
- Twin seats, right/left-hand seat or no seat (comes with footrest(s) when no seat ordered)
- Center drain (twin seats/no seat), right/left-hand drain (opposite to seat) • Textured floor
- Optional unique feature: Above-the-Floor Rough

ACRYLIC SHOWERS



SHOWER MODEL

No	Model	Dimensions	Pkg	Approx. weight	Std Color(s)
141054-S-000-XXX	3-piece shower 141054-SR-000-XXX Right-hand seat and left hand drain 141054-SL-000-XXX Left-hand seat and right hand drain 141054-S2-000-XXX Twin seats and center drain 141054-S-000-XXX No seat and center drain Specify: Standard colors: White (001), Bone (004), Biscuit (007)	60 X 34 1/4 X 76 1/4 - 78 1/4 in.	87.01 ft ³	222 lb	\$ 1,745
	3-piece shower AFR 141054-AFR/SR-000-XXX Above-the floor rough, Right-hand seat and left hand drain 141054-AFR/SL-000-XXX Above-the floor rough, Left-hand seat and right hand drain 141054-AFR/S2-000-XXX Above-the floor rough, Twin seats and center drain 141054-AFR/S-000-XXX Above-the floor rough, No seat and center drain Specify: Standard colors: White (001), Bone (004), Biscuit (007)				

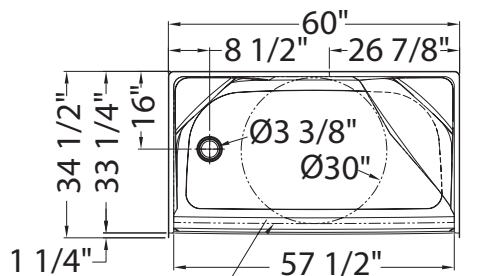
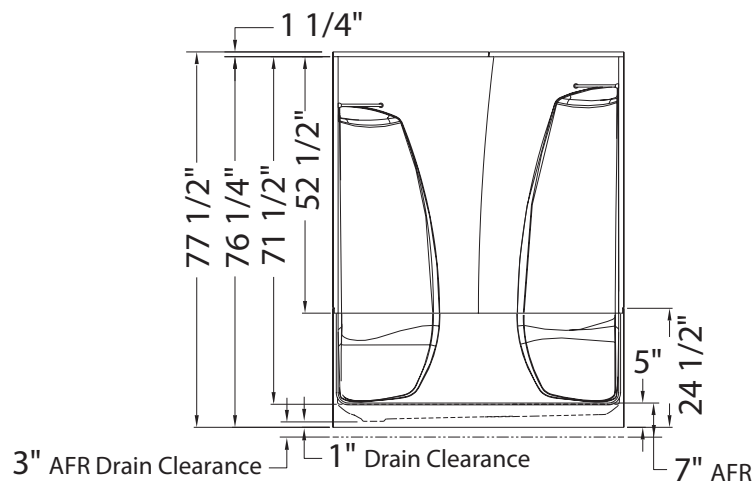
COMMON OPTIONS

No	Description	Approx. weight	List Price
OPT10167-105	Corner Shelf Rails in Brushed Nickel	N/A	\$ 172
OPT10167-084	Corner Shelf Rails in Chrome	N/A	\$ 142
OPT10167-085	Corner Shelf Rails in Polished Brass	N/A	\$ 172
OPT10169-007	12" Handle in Biscuit	N/A	\$ 51
OPT10169-004	12" Handle in Bone	N/A	\$ 51
OPT10169-105	12" Handle in Brushed Nickel	N/A	\$ 160
OPT10169-084	12" Handle in Chrome	N/A	\$ 160
OPT10169-001	12" Handle in White	N/A	\$ 51

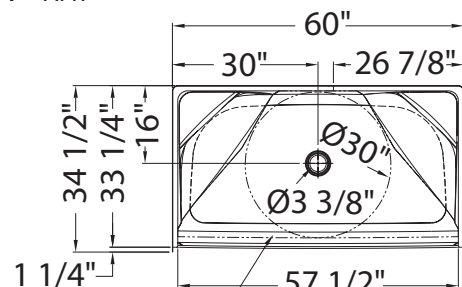
DOORS RECOMMENDED WITH THIS PRODUCT. REFER TO MAAX DOOR PRICE BOOK

No	Description
138315-XXX-XXX	Triple Plus 3-panel 58 x 66 in.
136457-XXX-XXX	Kleara® 2-panel 54 1/2 - 57 1/2 in.
105412-XXX-XXX	Polar 2-panel 54 - 59 1/2 in.
105488-XXX-XXX	Tonik 2-panel 54 - 59 1/2 in.
136672-XXX-XXX	Reveal 71 pivot door 56 - 59 x 71 1/2 in.
134572-XXX-XXX	Kameleon 8 mm 55 - 59 in.
134675-XXX-XXX	Kameleon Soft Close 8 mm 55 - 59 in.
134565-XXX-XXX	Kameleon 6 mm 55-59 in.
134665-XXX-XXX	Kameleon Soft Close 6 mm 55-59 in.

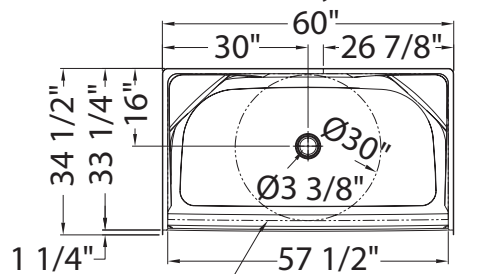
ACSH-3P-60 (cont'd)



AREA: 1443 sq.in.
Right Seat Shown
Left Seat Symmetrical

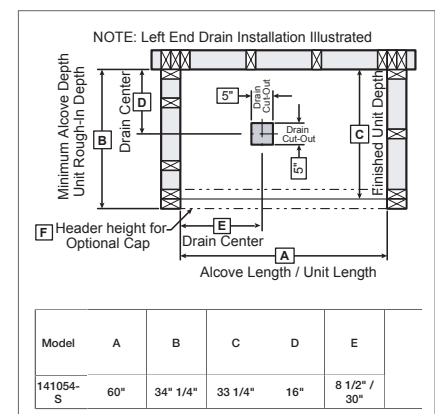


AREA: 1146 sq.in.
Twin Seats



AREA: 1740 sq.in.
No Seat

All dimensions are approximate. Structure measurements must be verified against the unit to ensure proper fit.



ACSH-3P-48

48" x 34 1/4" x 76 1/4 - 78 1/4" - Acrylic

- Three-piece acrylic shower
- Built-in corner shelves with optional shelf rails • Optional acrylic handle
- Right/left-hand seat or no seat (comes with footrest(s) when no seat ordered)
- Center drain • Textured floor
- Optional unique feature: Above-the-Floor Rough



ACRYLIC SHOWERS

SHOWER MODEL

No	Model	Dimensions	Pkg	Approx. weight	Std Color(s)
141051-S-000-XXX	3-piece shower 141051-SR-000-XXX Right-hand seat and center drain 141051-SL-000-XXX Left-hand seat and center drain 141051-S-000-XXX No seat and center drain Specify: Standard colors: White (001), Bone (004), Biscuit (007)	48 X 34 1/4 X 76 1/4 - 78 1/4 in.	73.7 ft ³	200 lb	\$ 1,440
	3-piece shower AFR 141051-AFR/SR-000-XXX Above-the floor rough, Right-hand seat and center drain 141051-AFR/SL-000-XXX Above-the floor rough, Left-hand seat and center drain 141051-AFR/S-000-XXX Above-the floor rough, No seat and center drain Specify: Standard colors: White (001), Bone (004), Biscuit (007)				

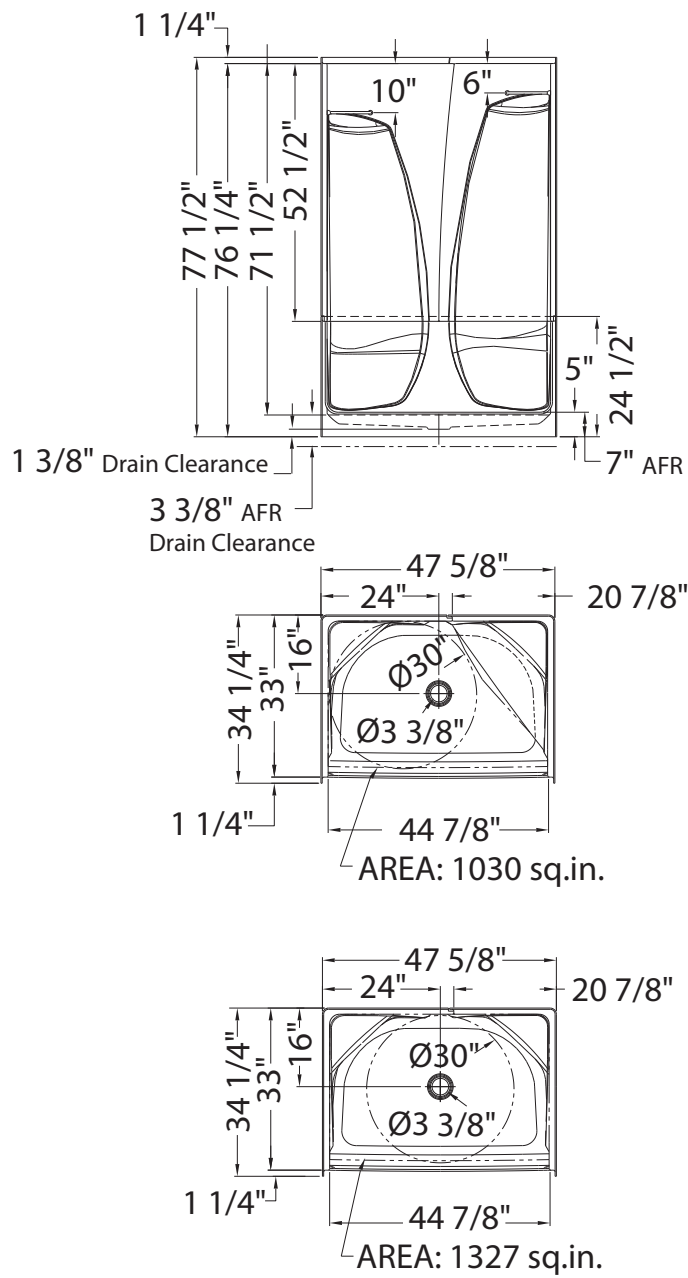
COMMON OPTIONS

No	Description	Approx. weight	List Price
OPT10167-105	Corner Shelf Rails in Brushed Nickel	N/A	\$ 172
OPT10167-084	Corner Shelf Rails in Chrome	N/A	\$ 142
OPT10167-085	Corner Shelf Rails in Polished Brass	N/A	\$ 172
OPT10169-007	12" Handle in Biscuit	N/A	\$ 51
OPT10169-004	12" Handle in Bone	N/A	\$ 51
OPT10169-105	12" Handle in Brushed Nickel	N/A	\$ 160
OPT10169-084	12" Handle in Chrome	N/A	\$ 160
OPT10169-001	12" Handle in White	N/A	\$ 51

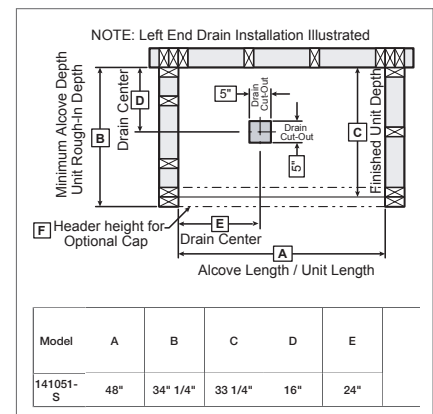
DOORS RECOMMENDED WITH THIS PRODUCT. REFER TO MAAX DOOR PRICE BOOK

No	Description
136453-XXX-XXX	Kleara® 2-panel 42 1/2 - 45 1/2 in.
136454-XXX-XXX	Kleara® 2-panel 45 1/2 - 48 1/2 in.
105414-XXX-XXX	Session 2-panel 42 - 47 1/2 in.
105413-XXX-XXX	Polar 2-panel 42 - 47 1/2 in.
136671-XXX-XXX	Reveal 71 pivot door 44 - 47 x 71 1/2 in.
134571-XXX-XXX	Kameleon 8 mm 43 - 47 in.
134674-XXX-XXX	Kameleon Soft Close 8 mm 43 - 47 in.
134563-XXX-XXX	Kameleon 6 mm 43-47 in.
134663-XXX-XXX	Kameleon Soft Close 6 mm 43-47 in.

ACSH-3P-48 (cont'd)



All dimensions are approximate. Structure measurements must be verified against the unit to ensure proper fit.



ACSH-2P-36

36" x 34 1/4" x 76 - 78" - Acrylic

- Two-piece acrylic shower with integrated roofcap
- Built-in corner shelves with optional shelf rails
- Integrated footrests
- Center drain • Textured floor
- Optional unique feature: Above-the-Floor Rough

ACRYLIC SHOWERS



SHOWER MODEL

No	Model	Dimensions	Pkg	Approx. weight	Std Color(s)
141048-S-000-XXX	2-piece shower 141048-S-000-XXX Center drain Specify: Standard colors: White (001), Bone (004), Biscuit (007)	36 X 34 1/4 X 76 - 78 in.	55 ft ³	153 lb	\$ 1,376
	2-piece shower AFR 141048-AFR/S-000-XXX Above-the-floor rough, center drain Specify: Standard colors: White (001), Bone (004), Biscuit (007)				

COMMON OPTIONS

No	Description	Approx. weight	List Price
OPT10167-105	Corner Shelf Rails in Brushed Nickel	N/A	\$ 172
OPT10167-084	Corner Shelf Rails in Chrome	N/A	\$ 142
OPT10167-085	Corner Shelf Rails in Polished Brass	N/A	\$ 172

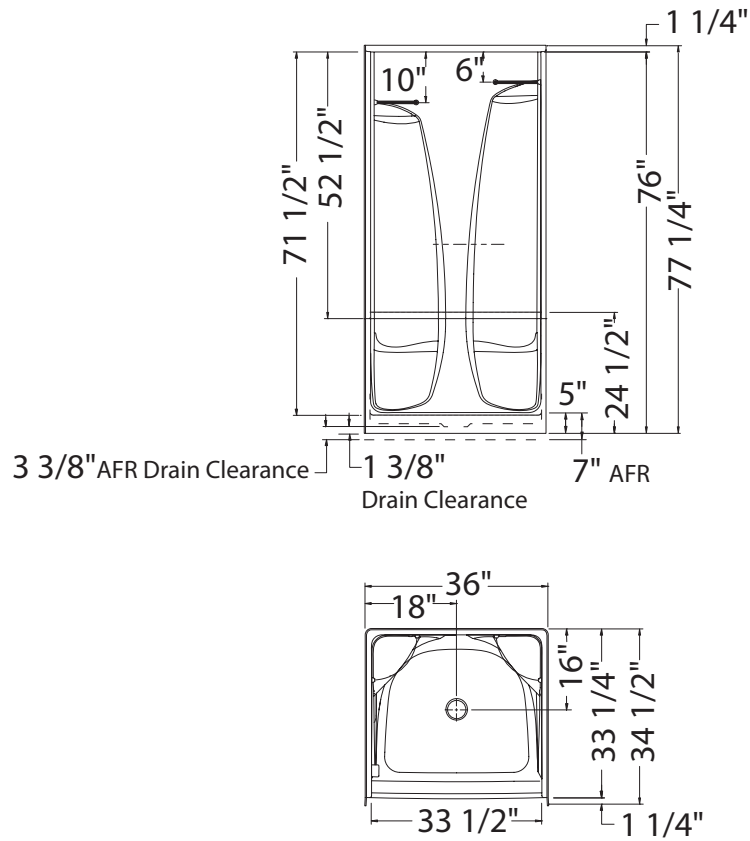
ACCESSORIES

No	Description	Approx. weight	List Price
10041845-XXX-601	Lifter kit for Pivolok doors Available colors: Chrome (084) and Brushed Nickel (105)	N/A	\$ 17

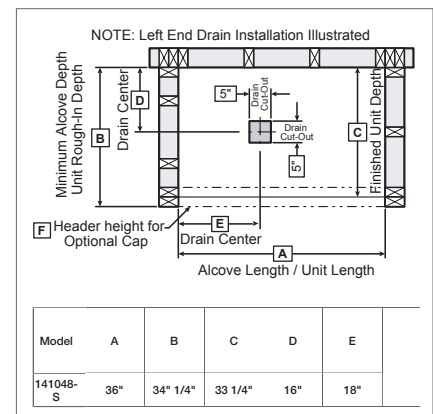
DOORS RECOMMENDED WITH THIS PRODUCT. REFER TO MAAX DOOR PRICE BOOK

No	Description
136450-XXX-XXX	Kleara® 2-panel 33 1/2 - 36 1/2 in.
136435-XXX-XXX	Pivolok Deluxe 1-panel 32 1/2 - 37 in.
136656-XXX-XXX	Pivolok 1-panel 33 - 34 3/4 in.
105417-XXX-XXX	Madono 1-panel 31 1/2 - 33 1/2 in.
105485-XXX-XXX	Alexa® 1-panel 31 1/2 - 33 1/2 in.
136676-XXX-XXX	Reveal 71 pivot door 32 1/2 - 35 1/2 x 71 1/2 in.

ACSH-2P-36 (cont'd)



All dimensions are approximate. Structure measurements must be verified against the unit to ensure proper fit.



ACKDSH-NA

38" x 38" x 78 1/2" - Acrylic

- Three-piece neo-angle corner shower
- Built-in side wall shelves
- Back center drain
- Textured floor

ACRYLIC SHOWERS



SHOWER MODEL

No	Model	Dimensions	Pkg	Approx. weight	Std Color(s)
141059-000-XXX	3-piece shower 141059-000-XXX Center drain Specify: Standard colors: White (001), Bone (004), Biscuit (007)	38 X 38 X 78 1/2 in.	78.7 ft ³	160 lb	\$ 1,487

DOORS RECOMMENDED WITH THIS PRODUCT. REFER TO MAAX DOOR PRICE BOOK

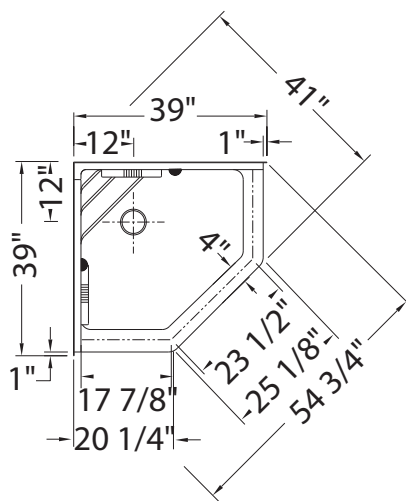
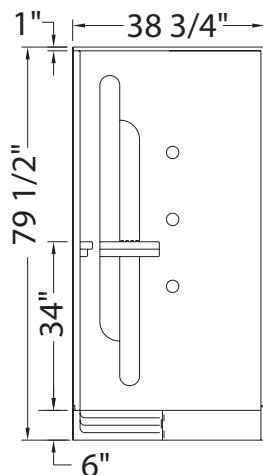
No	Description
137610-XXX-XXX	Illusion neo-angle 38 X 38 in.
137710-XXX-XXX	Silhouette Plus neo-angle 38 X 38 in.
137250-XXX-XXX	Intuition neo-angle 38 X 38 in.

TOUGH FROM BOTTOM UP

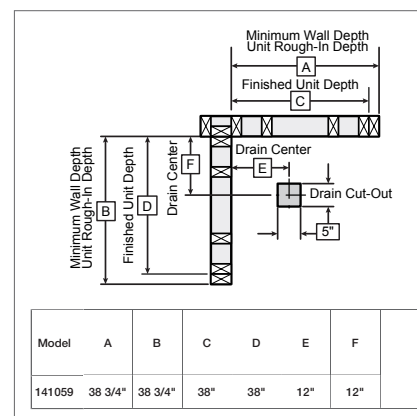
We use 1/2" of balsa wood, sandwiched between layers of reinforced fiberglass, to stabilize our four-part "Anti-flex" construction. Balsa wood is unique from other woods; it's extremely light but remarkably strong. The balsa wood is constructed to conform with the contours of the unit's base for maximum surface contact, ensuring superior base strength that eliminates floor fatigue and adds years of life to our products.



ACKDSH-NA (cont'd)



All dimensions are approximate. Structure measurements must be verified against the unit to ensure proper fit.



Recommended: **MAAX**® SHOWER DOORS WITH AKER MULTI-PIECE UNITS.

Why choose **MAAX**® shower doors:

- ✓ Worry-Free Experience
- ✓ Lasting Elegance
- ✓ 10-year warranty

KEY FEATURES AT A GLANCE



Soft Close

The Soft Close by MAAX feature eliminates accidental slams and pinched fingers by easing the door shut no matter how hard you slam it.



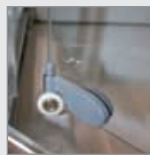
Glass Thickness

The thickness of the glass affects the overall look, feel, stability and price of a shower door. MAAX shower doors are made of first quality tempered glass and come in a variety of thicknesses: 1/4" (6 mm), 5/16" (8 mm) and 3/8" (10 mm). Choose the right thickness for the right look at the right price.



Clip and Push System

Many MAAX shower doors are equipped with easy to unclip bottom door rollers to simplify maintenance. Simply unclip, slightly push the door panel and clean away!



Reversible Header

Selected MAAX slider door headers are reversible which allow you to choose between two designs. Header styles may vary per door model.



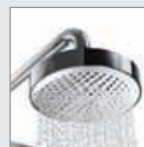
EZ Kleen® Track System

MAAX doors are easy to clean. The rollers are designed to be removed easily, which makes it simple to clean. On specified alcove sliding doors, the EZ Kleen® track system is offered.



COLOR CHART

Panel Finishes (Tempered Glass)



CLEAR (900)



DESIGN #49 (949)



DESIGN #53 (953)



EFFERVESCENCE



FROST (986)



HAMMER (965)



LINEN



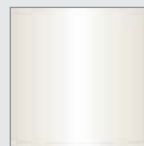
MISTELITE (981)



RAINDROP (970)

Note: Not all panel finishes are available for all door models and sizes.

Aluminum Frame Finishes



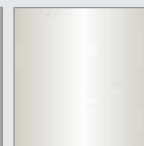
WHITE (001)-(003)



CHROME (084)



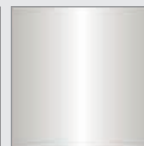
NICKEL (105)



BRUSHED NICKEL (305)



MAT SILVER (170)



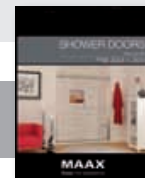
SATIN NICKEL (171)





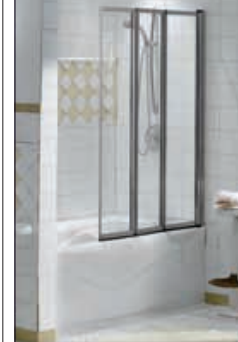





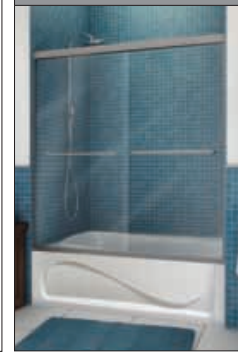

DARK BRONZE (172)

Note: Not all aluminum frame are available for all door models and sizes.

For more information, please consult **MAAX**® Shower Doors Price List.





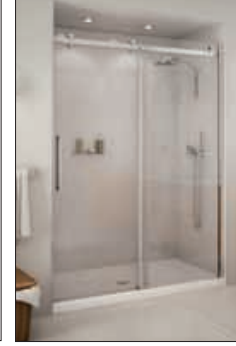
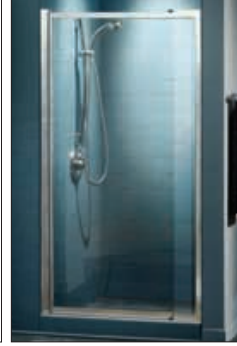
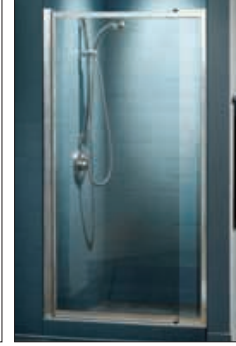

MAAX[®] TUB SHOWER DOORS WITH AKER MULTI-PIECE UNITS

<p>Canvas 2-Panel</p> 	<p>R EZ</p> <p>54-59 1/2 x 55 1/2 IN.</p> <p>Door Opening 2-PANEL SLIDER</p> <p>Frame Finish (170)</p> <p>Panel Finish CLEAR (900)</p>	<p>Decor Plus 2-Panel</p> 	<p>56 3/4 x 56 IN. 59 1/2 x 56 IN.</p> <p>Door Opening 2-PANEL SLIDER</p> <p>Frame Finish (084)</p> <p>Panel Finish CLEAR (900) RAINDROP (970)</p>	<p>3 folding panels</p> 	<p>39 1/2 x 56 1/2 IN.</p> <p>Door Opening 3-PANEL FOLDING</p> <p>Frame Finish (084)</p> <p>Panel Finish CLEAR (900)</p>
<p>Kameleon 2-Panel NEW</p> 	<p>6 1/4 8 5/16 <small>MM IN. MM IN.</small></p> <p>SC R</p> <p>51-55 X 57 IN 55-59 X 57 IN</p> <p>Door Opening 2-PANEL SLIDER</p> <p>Frame Finish (084) (305) (172)</p> <p>Panel Finish CLEAR (900) MISTELITE (981) LINEN (988) EFFERVESCENCE (989)</p>	<p>Halo 2-Panel NEW</p> 	<p>8 5/16 R EZ <small>MM IN. MM IN.</small></p> <p>56 1/2 - 59 X 59 IN</p> <p>Door Opening 2-PANEL SLIDER</p> <p>Frame Finish (084)</p> <p>Panel Finish CLEAR (900)</p>	<p>Halo Tub Shield 1-Panel NEW</p> 	<p>8 5/16 NEW <small>MM IN. MM IN.</small></p> <p>60 X 56 IN</p> <p>Door Opening 1-PANEL SLIDER</p> <p>Frame Finish (084)</p> <p>Panel Finish CLEAR (900)</p>
<p>Mika 2-Panel</p> 	<p>EZ</p> <p>54-59 1/2 x 55 1/2 IN.</p> <p>Door Opening 2-PANEL SLIDER</p> <p>Frame Finish (170)</p> <p>Panel Finish HAMMER (965)</p>	<p>Polar 2-Panel</p> 	<p>EZ</p> <p>54-59 1/2 x 57 3/8 IN.</p> <p>Door Opening 2-PANEL SLIDER</p> <p>Frame Finish (084) (171)</p> <p>Panel Finish RAINDROP (970)</p>	<p>Session 2-Panel</p> 	<p>6 1/4 R EZ <small>MM IN. MM IN.</small></p> <p>54-59 1/2 x 57 3/8 IN.</p> <p>Door Opening 2-PANEL SLIDER</p> <p>Frame Finish (084)</p> <p>Panel Finish CLEAR (900)</p>
<p>Tub Shield 1-Panel</p> 	<p>30 x 56 1/2 IN.</p> <p>Door Opening 1-PANEL PIVOT</p> <p>Frame Finish (084)</p> <p>Panel Finish CLEAR (900)</p>				




For more information, please consult **MAAX[®]** Shower Doors Price List.






MAAX[®] ALCOVE SHOWER DOORS WITH AKER MULTI-PIECE UNITS

<p>Alexa 1-Panel</p> 	<p>10 3/8 MM IN.</p> <p>24 1/2-26 1/2 x 67 IN. 28 1/2-30 1/2 x 67 IN. 31 1/2-33 1/2 x 67 IN. 34 1/2-36 1/2 x 67 IN.</p> <p>Door Opening 1-PANEL PIVOT</p> <p>Frame Finish (084)</p> <p>Panel Finish CLEAR (900)</p>	<p>Decor Plus 2-Panel</p> 	<p>SG</p> <p>43 x 69 IN. 44 x 66 IN. 44 x 69 IN.</p> <p>Door Opening 2-PANEL SLIDER</p> <p>Frame Finish (084)</p> <p>Panel Finish CLEAR (900) RAINDROP (970)</p>	<p>Kameleon 2-Panel NEW</p>  <p>6 1/4 8 5/16 MM IN.</p> <p>SC RF</p> <p>40-44 X 71 IN 51-55 X 71 IN 43-47 X 71 IN 55-59 X 71 IN</p> <p>Door Opening 2-PANEL SLIDER</p> <p>Frame Finish (084) (305) (172)</p> <p>Panel Finish CLEAR (900) MISTELITE (981) LINEN (988) EFFERVESCENCE (989)</p>
<p>Kleara 1-Panel</p> 	<p>6 1/4 MM IN.</p> <p>23 1/2-25 1/2 x 69 IN. 25 1/2-27 1/2 x 69 IN. 27 1/2-29 1/2 x 69 IN. 29 1/2-31 1/2 x 69 IN. 31 1/2-33 1/2 x 69 IN.</p> <p>Door Opening 1-PANEL PIVOT</p> <p>Frame Finish (084) (105)</p> <p>Panel Finish CLEAR (900) MISTELITE (981)</p>	<p>Kleara 2-Panel</p> 	<p>6 1/4 MM IN.</p> <p>33 1/2-36 1/2 x 69 IN. 36 1/2-39 1/2 x 69 IN. 39 1/2-42 1/2 x 69 IN. 42 1/2-45 1/2 x 69 IN. 45 1/2-48 1/2 x 69 IN. 48 1/2-51 1/2 x 69 IN. 51 1/2-54 1/2 x 69 IN. 54 1/2-57 1/2 x 69 IN. 57 1/2-60 1/2 x 69 IN.</p> <p>Door Opening 2-PANEL PIVOT</p> <p>Frame Finish (084) (105)</p> <p>Panel Finish CLEAR (900) MISTELITE (981)</p>	<p>Halo 2-Panel NEW</p>  <p>8 5/16 MM IN.</p> <p>44 1/2 - 47 X 78 3/4 IN 56 1/2 - 59 X 78 3/4 IN</p> <p>Door Opening 2-PANEL SLIDER</p> <p>Frame Finish (084)</p> <p>Panel Finish CLEAR (900)</p>
<p>Madono 1-Panel</p> 	<p>6 1/4 MM IN.</p> <p>24 1/2-26 1/2 x 67 IN. 28 1/2-30 1/2 x 67 IN. 31 1/2-33 1/2 x 67 IN. 34 1/2-36 1/2 x 67 IN.</p> <p>Door Opening 1-PANEL PIVOT</p> <p>Frame Finish (084)</p> <p>Panel Finish CLEAR (900)</p>	<p>Pivolok 1-Panel</p> 	<p>19-20 3/4 x 64 1/2 IN. 21-22 3/4 x 64 1/2 IN. 23-24 3/4 x 64 1/2 IN. 25-26 3/4 x 64 1/2 IN. 27-28 3/4 x 64 1/2 IN. 29-30 3/4 x 64 1/2 IN. 31-32 3/4 x 64 1/2 IN. 33-34 3/4 x 64 1/2 IN.</p> <p>Door Opening 1-PANEL PIVOT</p> <p>Frame Finish (001) (084)</p> <p>Panel Finish CLEAR (900) DESIGN #49 (949) RAINDROP (970)</p>	<p>Pivolok Deluxe 1-Panel</p>  <p>28-32 1/2 x 64 1/2 IN. 32 1/2-37 x 64 1/2 IN.</p> <p>Door Opening 1-PANEL PIVOT</p> <p>Frame Finish (001) (084)</p> <p>Panel Finish CLEAR (900) DESIGN #49 (949) HAMMER (965)</p>
<p>Reveal 71 2-Panel NEW</p> 	<p>8 5/16 MM IN.</p> <p>32 1/2 - 35 1/2 x 71 1/2 IN. 38 - 41 x 71 1/2 IN. 41 1/2 - 44 1/2 x 71 1/2 IN. 44 - 47 x 71 1/2 IN. 51 1/2 - 54 1/2 x 71 1/2 IN. 56 - 59 x 71 1/2 IN.</p> <p>Door Opening 2-PANEL PIVOT</p> <p>Frame Finish (084)</p> <p>Panel Finish CLEAR (900)</p>	<p>Reveal 75 2-Panel NEW</p> 	<p>8 5/16 MM IN.</p> <p>32 1/2 - 35 1/2 x 75 IN. 38 - 41 x 75 IN. 44 - 47 x 75 IN. 56 - 59 x 75 IN.</p> <p>Door Opening 2-PANEL PIVOT</p> <p>Frame Finish (084)</p> <p>Panel Finish CLEAR (900)</p>	

MAAX[®] ALCOVE SHOWER DOORS WITH AKER MULTI-PIECE UNITS (cont'd)

<p>Polar 2-Panel</p> 	<p>EZ</p> <p>42-47 1/2 x 68 IN. 54-59 1/2 x 68 IN.</p> <p>Door Opening 2-PANEL SLIDER</p> <p>Frame Finish (084) (171)</p> <p>Panel Finish RAINDROP (970)</p>	<p>Session 2-Panel</p> 	<p>6 1/4 R EZ</p> <p>42-47 1/2 x 71 IN. 54-59 1/2 x 71 IN.</p> <p>Door Opening 2-PANEL SLIDER</p> <p>Frame Finish (084)</p> <p>Panel Finish CLEAR (900)</p>	<p>Triple Plus 3-Panel</p> 	<p>SG</p> <p>36 x 69 IN. 48 x 69 IN. 40 x 66 IN. 52 1/2 x 66 IN. 42 1/2 x 66 IN. 54 1/2 x 66 IN. 43 x 69 58 x 66 IN. 44 1/2 x 66 IN. 59 1/2 x 71 IN. 48 x 66 IN.</p> <p>Door Opening 3-PANEL SLIDER</p> <p>Frame Finish (001) (084) (105)</p> <p>Panel Finish CLEAR (900) HAMMER (965) RAINDROP (970)</p>
---	--	---	--	---	---

MAAX[®] CORNER SHOWER DOORS WITH AKER MULTI-PIECE UNITS

<p>Illusion Neo-Angle</p> 	<p>36 x 36 x 70 IN. 38 x 38 x 70 IN. 40 x 40 x 70 IN. 42 x 42 x 70 IN.</p> <p>Door Opening NEO-ANGLE SLIDER</p> <p>Frame Finish (001) (084)</p> <p>Panel Finish CLEAR (900) RAINDROP (970)</p>	<p>Intuition Neo-Angle</p> 	<p>6 1/4 CP</p> <p>36 x 36 x 70 IN. 38 x 38 x 70 IN. 40 x 40 x 70 IN.</p> <p>Door Opening NEO-ANGLE SLIDER</p> <p>Frame Finish (084) (105)</p> <p>Panel Finish CLEAR (900) MISTELITE (981)</p>	<p>Silhouette Plus Neo-Angle</p> 	<p>36 x 36 x 70 IN. 38 x 38 x 70 IN. 40 x 40 x 70 IN.</p> <p>Door Opening NEO-ANGLE PIVOT</p> <p>Frame Finish (084)</p> <p>Panel Finish CLEAR (900) DESIGN #49 (949) HAMMER (965) RAINDROP (970)</p>
---	---	--	--	--	---

BATHTUBS

BATHTUBS

TO 3060 BATHTUB



REFERENCE GUIDE: ONE-PIECE BATHTUBS

GELCOAT RECTANGULAR BATHTUBS

<p>SBHG-4272 p. 78</p>  <p>DROP-IN 72 x 42 x 22</p> <p>☒</p>	<p>SB-3672 p. 80</p>  <p>DROP-IN 72 x 36 x 22</p> <p>☒ ☒</p>	<p>SBF-3672 p. 82</p>  <p>ALCOVE 72 x 36 x 22</p> <p>☒ ☒</p>
<p>GT-60 p. 84</p>  <p>ALCOVE 60 x 48 x 23</p> <p>☒</p>	<p>GT-4860 p. 86</p>  <p>ALCOVE 60 x 48 x 24</p> <p>☒</p>	<p>GT-4260 p. 88</p>  <p>ALCOVE 60 x 41 x 23</p> <p>☒</p>
<p>GT-4260AP p. 90</p> <p>NEW</p>  <p>ALCOVE 60 x 42 x 27</p> <p>☒</p>	<p>SB-4260 p. 92</p>  <p>DROP-IN 60 x 42 x 22</p> <p>☒</p>	<p>TO-4260 p. 94</p> <p>NEW</p>  <p>ALCOVE 60 x 41 x 16</p>
<p>SB-3660 p. 96</p>  <p>DROP-IN 60 x 36 x 22</p> <p>☒ ☒</p>	<p>SBA-3660 p. 98</p>  <p>ALCOVE 60 x 37 x 21</p> <p>☒ ☒</p>	<p>SBF-3660 p. 100</p>  <p>ALCOVE 60 x 37 x 21</p> <p>☒ ☒</p>
<p>TO-3660 p. 102</p> <p>NEW</p>  <p>ALCOVE 60 x 36 x 16</p>	<p>TOF-3260 p. 104</p>  <p>ALCOVE 60 x 32 x 19</p> <p>☒</p>	<p>TO-3260 p. 106</p> <p>NEW</p>  <p>ALCOVE 60 x 32 x 16</p>

REFERENCE GUIDE: ONE-PIECE BATHTUBS (cont'd)

GELCOAT RECTANGULAR BATHTUBS (CONT'D)

SB-3260 p. 108



DROP-IN 60 x 32 x 22

Whirlpool icon:  

SBA-3260 p. 110



ALCOVE 60 x 33 x 21

Whirlpool icon:  

SBF-3260 p. 112



ALCOVE 60 x 32 x 22

Whirlpool icon:  

TOF-3060 p. 114



ALCOVE 60 x 30 x 18

Whirlpool icon: 

TO-3060 (FORMERLY TO-60) p. 116

NEW



ALCOVE 60 x 31 x 16

TOF-2954 p. 118



ALCOVE 54 x 29 x 18

TO-2954 p. 120

NEW



ALCOVE 54 x 29 x 16

SYSTEMS

	BODYWRAP WHIRLPOOL	p.10
	HOMESTEAD WHIRLPOOL	p.11

GELCOAT OVAL BATHTUBS

OV-4272 p. 122



DROP-IN 72 x 42 x 22

Whirlpool icon:  

SBOO-4272 p. 124



DROP-IN 72 x 41 x 23

Whirlpool icon: 

OV-4260 p. 126



DROP-IN 60 x 42 x 22

Whirlpool icon:  

OVA-4260 p. 128



ALCOVE 60 x 42 x 21

Whirlpool icon:  

OVF-4260 p. 130



ALCOVE 60 x 42 x 21

Whirlpool icon:  

SYSTEMS

	BODYWRAP WHIRLPOOL	p.10
	HOMESTEAD WHIRLPOOL	p.11

REFERENCE GUIDE: ONE-PIECE BATHTUBS (cont'd)

GELCOAT CORNER BATHTUBS

GT-6060AP	p. 132
	
CORNER	59 x 59 x 24

CT-6060	p. 134
	 
CORNER	59 x 59 x 22



CT2-6060	p. 136
	 
CORNER	59 x 59 x 22

CTF-6060	p. 138
	 
CORNER	59 x 59 x 22

CTF2-6060	p. 140
	 
CORNER	59 x 59 x 22

CT-5454	p. 142
	
CORNER	54 x 54 x 22

SYSTEMS

	BODYWRAP WHIRLPOOL	p.10
	HOMESTEAD WHIRLPOOL	p.11

ACRYLIC RECTANGULAR BATHTUBS

ACOP-4872	p. 144
	
DROP-IN	72 x 48 x 22

ACSB-4872	p. 146
	
DROP-IN	72 x 48 x 22

ACHG-4272	p. 148
	
DROP-IN	72 x 42 x 22

ACSB-4272	p. 150
	
DROP-IN	72 x 42 x 22

ACA-4272	p. 152
	 
ALCOVE	72 x 42 x 20

ACSB-3672	p. 154
	 
DROP-IN	72 x 36 x 22

REFERENCE GUIDE: ONE-PIECE BATHTUBS (cont'd)

ACRYLIC RECTANGULAR BATHTUBS (CONT'D)

ACA-3672	p. 156
	☺☺
ALCOVE	72 x 36 x 20

ACA-3666	p. 158
	☺☺
ALCOVE	66 x 36 x 20

ACSB-4260	p. 160
	☺
DROP-IN	60 x 42 x 22

ACA-4260	p. 162
	☺☺ ☺
ALCOVE	60 x 42 x 20

ACSB-3660	p. 164
	☺☺ ☺
DROP-IN	60 x 36 x 22

ACA-3660	p. 166
	☺☺
ALCOVE	60 x 36 x 20

ACSB-3260	p. 168
	☺☺ ☺
DROP-IN	60 x 32 x 22

ACA-3260	p. 170
	☺☺
ALCOVE	60 x 32 x 20

ACA-3060	p. 172
	☺☺
ALCOVE	60 x 30 x 20

SYSTEMS		
☺	BODYWRAP WHIRLPOOL	p.10
☺☺	HOMESTEAD WHIRLPOOL	p.11

ACRYLIC OVAL BATHTUBS

ACOV-4272	p. 174
	☺☺ ☺
DROP-IN	72 x 42 x 22

ACOO-4272	p. 176
	☺
DROP-IN	72 x 41 x 23

ACRYOO-4272	p. 178
	☺☺ ☺
DROP-IN	72 x 41 x 21

REFERENCE GUIDE: ONE-PIECE BATHTUBS (cont'd)

ACRYLIC OVAL BATHTUBS (CONT'D)

ACOV-4260	p. 180
	 
DROP-IN	60 x 42 x 22

SYSTEMS		
	BODYWRAP WHIRLPOOL	p.10
	HOMESTEAD WHIRLPOOL	p.11

ACRYLIC CORNER BATHTUBS

ACRYC2-6060	p. 182
	 
CORNER	59 x 59 x 21

SYSTEMS		
	BODYWRAP WHIRLPOOL	p.10
	HOMESTEAD WHIRLPOOL	p.11

SUMMARY: ONE-PIECE BATHTUBS



● = NEW PRODUCT

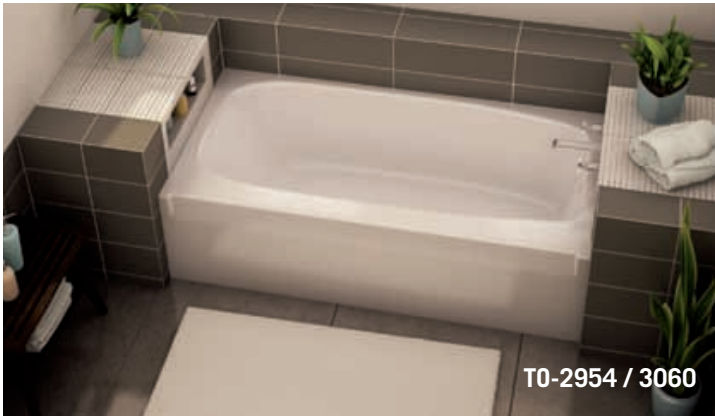
NAME	MODEL	EXTERNAL DIMENSIONS	MATERIAL	SYSTEM	INSTALLATION			INTEGRATED TILING FLANGE	DRAIN LOCATION	INTEGRATED APRON	OPTIONAL APRON	ACCESS PANEL ON APRON	ARMREST	INTEGRATED FAUCET AREA	PAGE
					ALCOVE	CORNER	DROP-IN								
GELCOAT RECTANGULAR BATHTUBS															
SBHG-4272	141108	72 x 42 x 22	Gelcoat	●			●		Center		●	●	●		78
SB-3672	141105	72 x 36 x 22	Gelcoat	●	●		●		End Drain		●	●	●	●	80
SBF-3672	141092	72 x 36 x 22	Gelcoat	●	●		●		L, R		●	●	●	●	82
GT-60	141083	60 x 48 x 23	Gelcoat	●			●		Center	●				●	84
GT-4860	141084	60 x 48 x 24	Gelcoat	●			●		L, R	●				●	86
GT-4260	141082	60 x 41 x 23	Gelcoat	●			●		Center, L or R	●				●	88
● GT-4260AP	141482	60 x 42 x 27	Gelcoat	●			●		Center	●		●		●	90
● SB-4260	141103	60 x 42 x 22	Gelcoat	●			●		End Drain		●	●	●	●	92
● TO-4260	141354	60 x 41 x 16	Gelcoat				●		L, R	●					94
● SB-3660	141101	60 x 36 x 22	Gelcoat	●	●		●		End Drain		●	●	●	●	96
● SBA-3660	141080	60 x 37 x 21	Gelcoat	●	●		●		L, R	●			●	●	98
● SBF-3660	141089	60 x 37 x 21	Gelcoat	●	●		●		L, R		●	●	●	●	100
● TO-3660	141352	60 x 36 x 16	Gelcoat				●		L, R	●					102
● TOF-3260	142014	60 x 32 x 19	Gelcoat	●			●		L, R	●					104
● TO-3260	141350	60 x 32 x 16	Gelcoat				●		L, R	●					106
● SB-3260	141099	60 x 32 x 22	Gelcoat	●	●		●		End Drain		●	●	●	●	108
● SBA-3260	141079	60 x 33 x 21	Gelcoat	●	●		●		L, R	●			●	●	110
● SBF-3260	141088	60 x 32 x 22	Gelcoat	●	●		●		L, R		●	●	●	●	112
● TOF-3060	142008	60 x 30 x 18	Gelcoat	●			●		L, R	●					114
● TO-3060 (FORMERLY TO-60)	141078	60 x 31 x 16	Gelcoat				●		L, R	●					116
● TOF-2954	142002	54 x 29 x 18	Gelcoat				●		L, R	●					118
● TO-2954	141077	54 x 29 x 16	Gelcoat				●		L, R	●					120
GELCOAT OVAL BATHTUBS															
OV-4272	141114	72 x 42 x 22	Gelcoat	●	●		●		End Drain		●	●		●	122
SBOO-4272	141110	72 x 41 x 23	Gelcoat	●			●		Center				●	●	124
OV-4260	141112	60 x 42 x 22	Gelcoat	●	●		●		End Drain		●	●		●	126
OVA-4260	141081	60 x 42 x 21	Gelcoat	●	●		●		L, R	●				●	128
OVF-4260	141095	60 x 42 x 21	Gelcoat	●	●		●		L, R		●	●		●	130
GELCOAT CORNER BATHTUBS															
GT-6060AP	141121	59 x 59 x 24	Gelcoat	●	●		●		Center	●		●	●	●	132
CT-6060	141118	59 x 59 x 22	Gelcoat	●	●		●		Center				●	●	134
CT2-6060	141120	59 x 59 x 22	Gelcoat	●	●		●		Center				●	●	136
CTF-6060	141096	59 x 59 x 22	Gelcoat	●	●		●		Center				●	●	138
CTF2-6060	141097	59 x 59 x 22	Gelcoat	●	●		●		Center				●	●	140
CT-5454	141085	54 x 54 x 22	Gelcoat	●			●		Center	●		●		●	142
ACRYLIC RECTANGULAR BATHTUBS															
ACOP-4872	141116	72 x 48 x 22	Acrylic	●			●		Center				●	●	144
ACSB-4872	141115	72 x 48 x 22	Acrylic	●			●		End Drain		●	●	●	●	146

SUMMARY: ONE-PIECE BATHTUBS (cont'd)

NAME	MODEL	EXTERNAL DIMENSIONS	MATERIAL	SYSTEM	INSTALLATION			INTEGRATED TILING FLANGE	DRAIN LOCATION	INTEGRATED APRON	OPTIONAL APRON	ACCESS PANEL ON APRON	ARMREST	INTEGRATED FAUCET AREA	PAGE
					ALCOVE	CORNER	DROP-IN								
ACRYLIC RECTANGULAR BATHTUBS (CONT'D)															
ACHG-4272	141107	72 x 42 x 22	Acrylic	∞			•		Center	•	•	•	•	148	
ACSB-4272	141106	72 x 42 x 22	Acrylic	∞			•		End Drain	•	•	•	•	150	
ACA-4272	141141	72 x 42 x 20	Acrylic	∞ ∞ ∞ ∞	•				L, R	•	•	•	•	152	
ACSB-3672	141104	72 x 36 x 22	Acrylic	∞ ∞ ∞ ∞			•		End Drain	•	•	•	•	154	
ACA-3672	141139	72 x 36 x 20	Acrylic	∞ ∞ ∞ ∞	•			•	L, R	•	•	•	•	156	
ACA-3666	141138	66 x 36 x 20	Acrylic	∞ ∞ ∞ ∞	•			•	L, R	•	•	•	•	158	
ACSB-4260	141102	60 x 42 x 22	Acrylic	∞			•		End Drain	•	•	•	•	160	
ACA-4260	141140	60 x 42 x 20	Acrylic	∞ ∞ ∞ ∞	•			•	L, R	•	•	•	•	162	
ACSB-3660	141100	60 x 36 x 22	Acrylic	∞ ∞ ∞ ∞			•		End Drain	•	•	•	•	164	
ACA-3660	141137	60 x 36 x 20	Acrylic	∞ ∞ ∞ ∞	•			•	L, R	•	•	•	•	166	
ACSB-3260	141098	60 x 32 x 22	Acrylic	∞ ∞ ∞ ∞			•		End Drain	•	•	•	•	168	
ACA-3260	141087	60 x 32 x 20	Acrylic	∞ ∞ ∞ ∞	•			•	L, R	•	•	•	•	170	
ACA-3060	141086	60 x 30 x 20	Acrylic	∞ ∞ ∞ ∞	•			•	L, R	•	•	•	•	172	
ACRYLIC OVAL BATHTUBS															
ACOV-4272	141113	72 x 42 x 22	Acrylic	∞ ∞ ∞ ∞			•		End Drain	•	•	•	•	174	
ACOO-4272	141109	72 x 41 x 23	Acrylic	∞ ∞ ∞ ∞			•		Center			•	•	176	
ACRYOO-4272	141144	72 x 41 x 21	Acrylic	∞ ∞ ∞ ∞			•		End Drain			•	•	178	
ACOV-4260	141111	60 x 42 x 22	Acrylic	∞ ∞ ∞ ∞			•		End Drain	•	•	•	•	180	
ACRYLIC CORNER BATHTUBS															
ACRYC2-6060	141119	59 x 59 x 21	Acrylic	∞ ∞ ∞ ∞		•			Center			•	•	182	

SYSTEMS LEGEND

	BODYWRAP WHIRLPOOL	p.10
	HOMESTEAD WHIRLPOOL	p.11



ENTRY-LEVEL TUB. HIGH-LEVEL BENEFITS.

AKER's **TO** family of IFS soaker bathtubs won't drain your time, budget or resources on multi-family residential projects or large single-family developments. They combine the perfect balance of **affordability and ease** with AKER's Legendary **Full-Strength Approach** to quality.

The Fairest Deal for Meeting Fair Housing Act Compliance

All **TO** bathtub models comply with the accessibility requirements for IFS tubs under the Fair Housing Act (ANSI A117.1 and ADA 607, 608 and 609). In addition, our Above-the-Floor Rough fulfills the mandate required of most multi-family housing projects in the United States.

AKER now offers a complete line with the following dimensions:

29" x 54" | 30" x 60" | 32" x 60" | 36" x 60" | 42" x 60"

NEW Job Pack Configurations

The sleek, clean look of the **TO** bathtubs will shine even brighter in your eyes because each model is available in **Job Pack Configurations**.

Designed with the New Work Contractor's Needs in Mind

- ✓ Job Pack Configurations¹ are available in multiples of 4, 8 or 12 tubs, **slashing your unit price**.
- ✓ Mix right and left drain configuration within a specific job pack configuration, **providing ease and convenience for multiple installations on the job site**.
- ✓ All job pack configurations are shipped with secure, tight packaging, **minimizing damages in delivery and on the job site**.

¹ Refer to product sheet to see which configurations are available.

SBHG-4272

72" x 42" x 21 1/2" - Gelcoat
Water Capacity: Min: 52 gal. Max: 104 gal.



- Armrests at each tub end • Raised headrests
- Symmetrical backrests with lumbar supports
- Deep bathing well
- Textured floor • Center drain • Drop-in installation
- 20 1/4" deep sump • Bottom bathing well : 49 1/4" L x 30" W

GELCOAT RECTANGULAR BATHTUBS



BATHTUB MODEL

No	Model	Dimensions	Pkg	Approx. weight	Std Color(s)	Non-std Colors
141108-000-XXX	Bathtub 141108-000-XXX Center drain Specify: Standard colors: White (002), Bone (004), Biscuit (007) Non-standard colors: Refer to color chart in this book.	72 X 42 X 21 1/2 in.	46.9 ft ³	99 lb	\$ 921	\$ 1,021
141093-000-XXX	Apron - Removable solid apron kit Specify: Standard colors: White (002), Bone (004), Biscuit (007) Non-standard colors: Refer to color chart in this book.	N/A	3.93 ft ³	35 lb	\$ 345	\$ 395
141094-000-XXX	Apron - Non-removable solid apron kit Specify: Standard colors: White (002), Bone (004), Biscuit (007) Non-standard colors: Refer to color chart in this book.	N/A	0.1 ft ³	22 lb	\$ 274	\$ 324

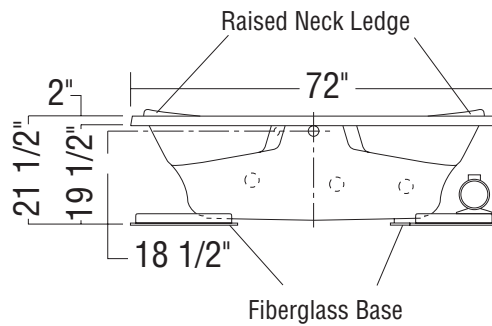
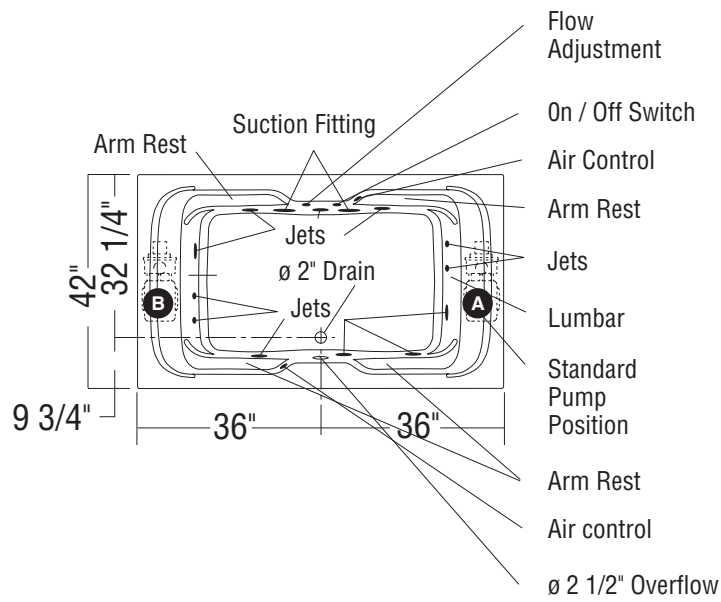
BODYWRAP WHIRLPOOL SYSTEM

No	Model	Approx. weight	Std Color(s)	Non-std Colors
141108-057-XXX	Bathtub with Bodywrap whirlpool w/micro switch ¹ 141108-057-XXX Center drain	99 lb	\$ 2,129	\$ 2,229

COMMON OPTIONS

No	Description	Approx. weight	List Price
OPT10172	In-line heater (factory-installed)	N/A	\$ 426
OPT10174	Pump position opposite standard position	N/A	\$ 68
OPT10175-084	Designer grab bars Available color: Chrome (084)	N/A	\$ 260
OPT20139	Ozonator for Bodywrap whirlpool system	N/A	\$ 362
OPT20209-XXX	Trim kit for Bodywrap whirlpool (057) (factory installed) Available colors: Chrome (084), Polished Brass (085), Mixed Chrome and Polished Brass (164), Nickel (105)	N/A	No Charge

SBHG-4272 (cont'd)



12-jet Bodywrap System SBHG-4272 / BWS (illustrated)

All dimensions are approximate. Structure measurements must be verified against the unit to ensure proper fit.

FOOTNOTES - BEFORE ORDERING, PLEASE SPECIFY:

1. Components for standard color bathtubs equipped with Bodywrap whirlpool are color-coordinated. Trim kit with metallic finish can be added, please order OPT20209 and specify trim kit color.



SB-3672

72" x 36" x 21 1/2" - Gelcoat
Water Capacity: Min: 55 gal. Max: 110 gal.



- Deep and spacious bathing well
- Backrest with lumbar support • Armrests
- Textured floor • Deck for faucet
- End drain • Drop-in installation
- 20 1/2" deep sump • Bottom bathing well : 56 1/2" L x 27" W

GELCOAT RECTANGULAR BATHTUBS



BATHTUB MODEL

No	Model	Dimensions	Pkg	Approx. weight	Std Color(s)	Non-std Colors
141105-000-XXX	Bathtub 141105-000-XXX End drain Specify: Standard colors: White (002), Bone (004), Biscuit (007) Non-standard colors: Refer to color chart in this book.	72 X 36 X 21 1/2 in.	42.2 ft ³	89 lb	\$ 714	\$ 814
141093-000-XXX	Apron - Removable solid apron kit Specify: Standard colors: White (002), Bone (004), Biscuit (007) Non-standard colors: Refer to color chart in this book.	N/A	3.93 ft ³	35 lb	\$ 345	\$ 395
141094-000-XXX	Apron - Non-removable solid apron kit Specify: Standard colors: White (002), Bone (004), Biscuit (007) Non-standard colors: Refer to color chart in this book.	N/A	0.1 ft ³	22 lb	\$ 274	\$ 324

HOMESTEAD WHIRLPOOL SYSTEM

No	Model	Approx. weight	Std Color(s)	Non-std Colors
141105-058-XXX	Bathtub with Homestead whirlpool w/air switch ¹ 141105-058-XXX End drain	89 lb	\$ 1,528	N/A

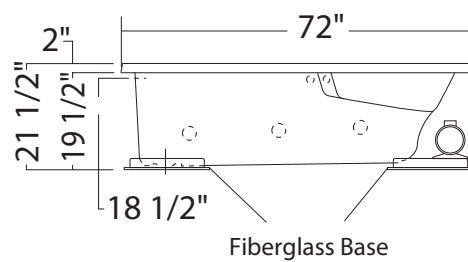
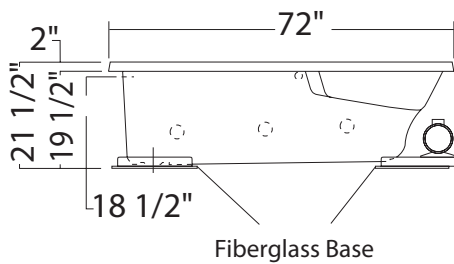
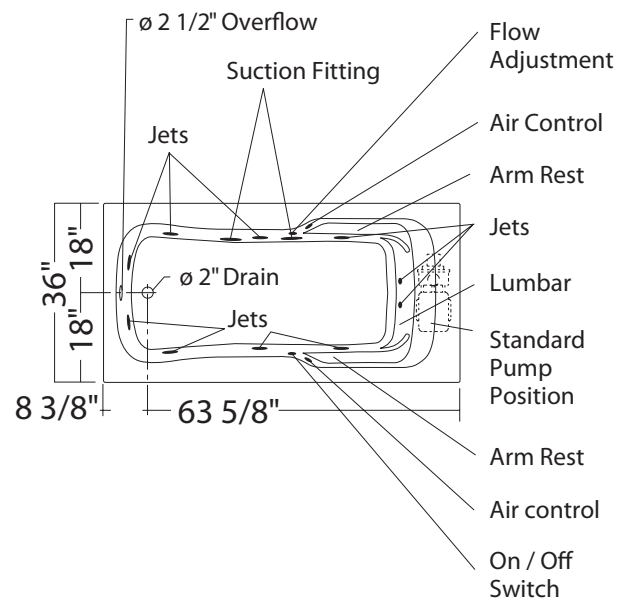
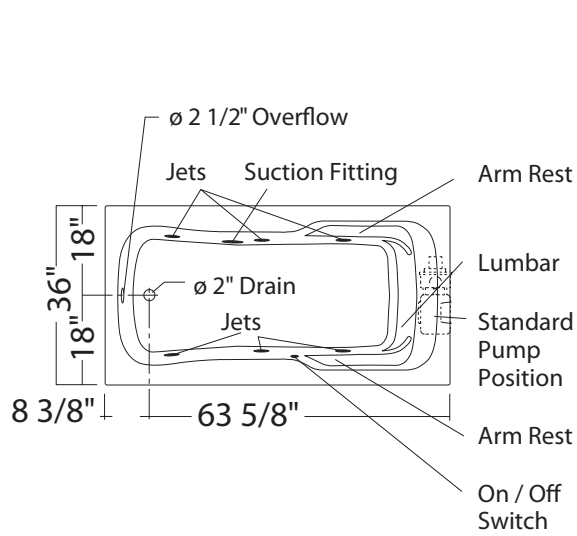
BODYWRAP WHIRLPOOL SYSTEM

No	Model	Approx. weight	Std Color(s)	Non-std Colors
141105-057-XXX	Bathtub with Bodywrap whirlpool w/micro switch ² 141105-057-XXX End drain	89 lb	\$ 1,922	\$ 2,022

COMMON OPTIONS

No	Description	Approx. weight	List Price
OPT10172	In-line heater (factory-installed)	N/A	\$ 426
OPT10174	Pump position opposite standard position ³	N/A	\$ 68
OPT10175-084	Designer grab bars Available color: Chrome (084)	N/A	\$ 260
OPT20139	Ozonator for Bodywrap whirlpool system	N/A	\$ 362
OPT20209-XXX	Trim kit for Bodywrap whirlpool (057) (factory installed) Available colors: Chrome (084), Polished Brass (085), Mixed Chrome and Polished Brass (164), Nickel (105)	N/A	No Charge

SB-3672 (cont'd)



6-jet Homestead Collection SB-3672
HMS (illustrated)

10-jet Bodywrap System SB-3672
HMS (illustrated)

All dimensions are approximate. Structure measurements must be verified against the unit to ensure proper fit.

FOOTNOTES - BEFORE ORDERING, PLEASE SPECIFY:

1. Components for standard color bathtubs equipped with Homestead whirlpool are color-coordinated.
2. Components for standard color bathtubs equipped with Bodywrap whirlpool are color-coordinated. Trim kit with metallic finish can be added, please order OPT20209 and specify trim kit color.
3. The pump on opposite side of standard location will exceed the bathtub dimensions from 8 to 10 inches.



SBF-3672

72" x 36" x 21 1/2" - Gelcoat
Water Capacity: Min: 55 gal. Max: 110 gal.



- Deep and spacious bathing well
- Backrest with lumbar support
- Armrests • Deck for faucet • Textured floor
- Right or left drain • Integrated tiling flange • Alcove installation
- 20 1/2" deep sump • Bottom bathing well : 56 1/2" L x 27" W

GELCOAT RECTANGULAR BATHTUBS



BATHTUB MODEL

No	Model	Dimensions	Pkg	Approx. weight	Std Color(s)	Non-std Colors
141092-000-XXX	Bathtub 141092-R-000-XXX Right-hand drain 141092-L-000-XXX Left-hand drain Specify: Standard colors: White (002), Bone (004), Biscuit (007) Non-standard colors: Refer to color chart in this book.	72 X 36 X 21 1/2 in.	41.7 ft ³	90 lb	\$ 714	\$ 814
141093-000-XXX	Apron - Removable solid apron kit Specify: Standard colors: White (002), Bone (004), Biscuit (007) Non-standard colors: Refer to color chart in this book.	N/A	3.93 ft ³	35 lb	\$ 345	\$ 395
141094-000-XXX	Apron - Non-removable solid apron kit Specify: Standard colors: White (002), Bone (004), Biscuit (007) Non-standard colors: Refer to color chart in this book.	N/A	0.1 ft ³	22 lb	\$ 274	\$ 324

HOMESTEAD WHIRLPOOL SYSTEM

No	Model	Approx. weight	Std Color(s)	Non-std Colors
141092-058-XXX	Bathtub with Homestead whirlpool w/air switch ¹ 141092-R-058-XXX Right-hand drain 141092-L-058-XXX Left-hand drain	90 lb	\$ 1,528	N/A

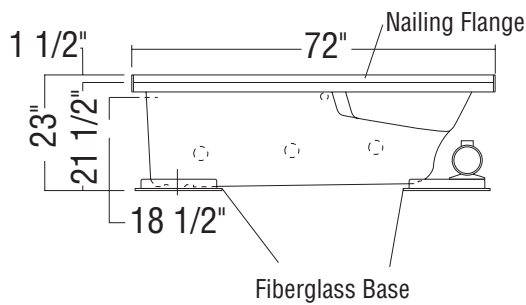
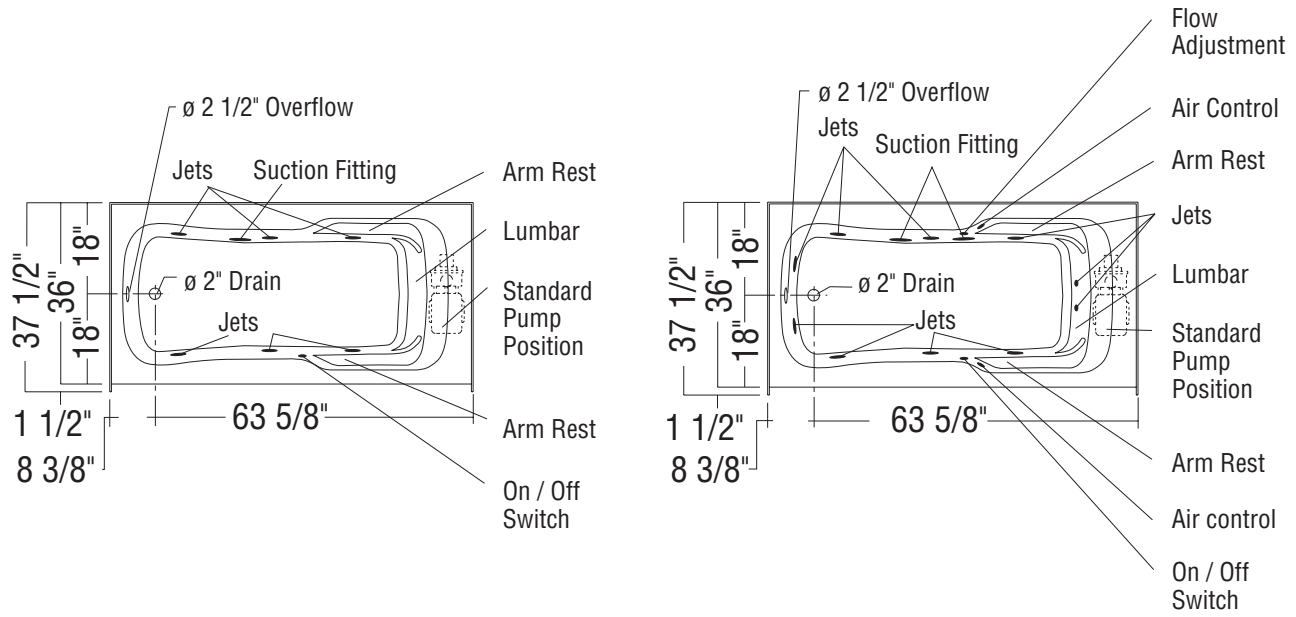
BODYWRAP WHIRLPOOL SYSTEM

No	Model	Approx. weight	Std Color(s)	Non-std Colors
141092-057-XXX	Bathtub with Bodywrap whirlpool w/micro switch ² 141092-R-057-XXX Right-hand drain 141092-L-057-XXX Left-hand drain	90 lb	\$ 1,922	\$ 2,022

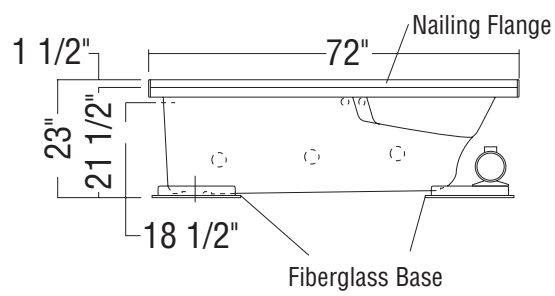
COMMON OPTIONS

No	Description	Approx. weight	List Price
OPT10172	In-line heater (factory-installed)	N/A	\$ 426
OPT10174	Pump position opposite standard position ³	N/A	\$ 68
OPT10175-084	Designer grab bars Available color: Chrome (084)	N/A	\$ 260
OPT20139	Ozonator for Bodywrap whirlpool system	N/A	\$ 362
OPT20209-XXX	Trim kit for Bodywrap whirlpool (057) (factory installed) Available colors: Chrome (084), Polished Brass (085), Mixed Chrome and Polished Brass (164), Nickel (105)	N/A	No Charge

SBF-3672 (cont'd)



6-jet Homestead Collection SBF-3672L
HMS (illustrated)

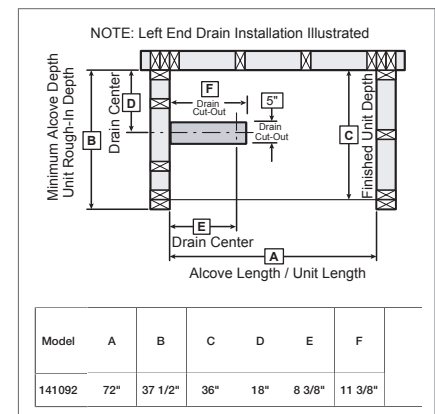


10-jet Bodywrap System SBF-3672L
BWS (illustrated)

All dimensions are approximate. Structure measurements must be verified against the unit to ensure proper fit.

FOOTNOTES - BEFORE ORDERING, PLEASE SPECIFY:

1. Components for standard color bathtubs equipped with Homestead whirlpool are color-coordinated.
2. Components for standard color bathtubs equipped with Bodywrap whirlpool are color-coordinated. Trim kit with metallic finish can be added, please order OPT20209 and specify trim kit color.
3. The pump on opposite side of standard location will exceed the bathtub dimensions from 8 to 10 inches.



GT-60

60" x 47 1/2" x 23 1/4" - Gelcoat
 Water Capacity: Min: 40 gal. Max: 63 gal.



- 5 1/2" wrap around backsplash
- Integrated apron & tiling flange
- Recessed front step with textured surface • Deck for faucet
- Textured floor • Center drain
- 15 3/4" deep sump • Bottom bathing well : 41" L x 24" W



BATHTUB MODEL

No	Model	Dimensions	Pkg	Approx. weight	Std Color(s)	Non-std Colors
141083-000-XXX	Bathtub 141083-000-XXX Center drain Specify: Standard colors: White (002), Bone (004), Biscuit (007) Non-standard colors: Refer to color chart in this book.	60 X 47 1/2 X 23 1/4 in.	41.9 ft ³	101 lb	\$ 641	\$ 741

HOMESTEAD WHIRLPOOL SYSTEM

No	Model	Approx. weight	Std Color(s)	Non-std Colors
141083-058-XXX	Bathtub with Homestead whirlpool w/air switch ¹ 141083-058-XXX Center drain	101 lb	\$ 1,455	N/A

COMMON OPTIONS

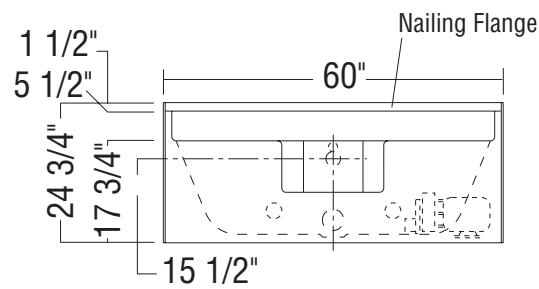
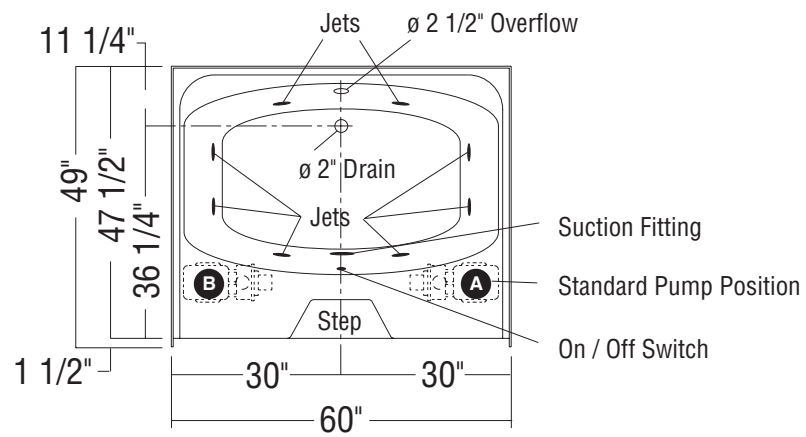
No	Description	Approx. weight	List Price
OPT10172	In-line heater (factory-installed)	N/A	\$ 426
OPT10174	Pump position opposite standard position	N/A	\$ 68

FOR AN EASIER AND FASTER JOB

Some AKER bathtubs are equipped with a leakproof integrated tiling flange that requires **less time to install, saves effort, and makes a better longer-lasting seal.** Refer to the bathtubs summary table to know which product offers that option.



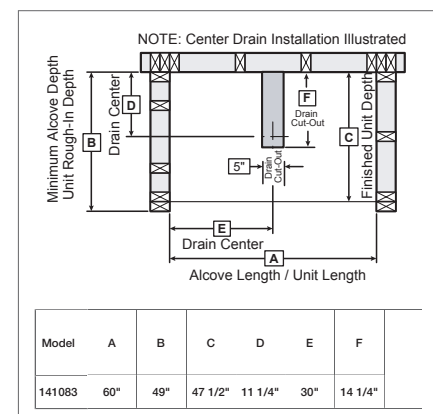
GT-60 (cont'd)



All dimensions are approximate. Structure measurements must be verified against the unit to ensure proper fit.

FOOTNOTES - BEFORE ORDERING, PLEASE SPECIFY:

- Components for standard color bathtubs equipped with Homestead whirlpool are color-coordinated.



GT-4860

60" x 47 1/2" x 23 1/2" - Gelcoat
 Water Capacity: Min: 49 gal. Max: 98 gal.



- 4" wrap around backsplash • Deck for faucet
- Low-profile front step with textured surface
- Integrated apron & tiling flange • Backrest with lumbar support
- Textured floor • Right or left drain • Alcove installation
- 17 1/2" deep sump • Bottom bathing well : 44 1/2" L x 35" W



BATHTUB MODEL

No	Model	Dimensions	Pkg	Approx. weight	Std Color(s)	Non-std Colors
141084-000-XXX	Bathtub 141084-R-000-XXX Right-hand drain 141084-L-000-XXX Left-hand drain Specify: Standard colors: White (002), Bone (004), Biscuit (007) Non-standard colors: Refer to color chart in this book.	60 X 47 1/2 X 23 1/2 in.	43.3 ft ³	100 lb	\$ 641	\$ 741

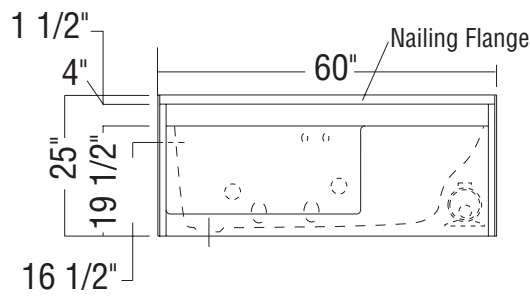
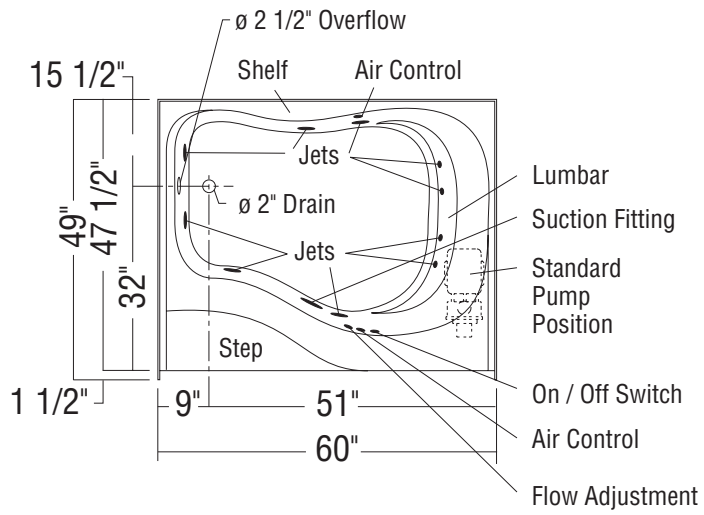
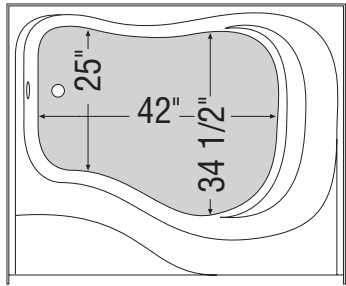
BODYWRAP WHIRLPOOL SYSTEM

No	Model	Approx. weight	Std Color(s)	Non-std Colors
141084-057-XXX	Bathtub with Bodywrap whirlpool w/micro switch ¹ 141084-R-057-XXX Right-hand drain 141084-L-057-XXX Left-hand drain	100 lb	\$ 1,849	\$ 1,949

COMMON OPTIONS

No	Description	Approx. weight	List Price
OPT10172	In-line heater (factory-installed)	N/A	\$ 426
OPT20139	Ozonator for Bodywrap whirlpool system	N/A	\$ 362
OPT10174	Pump position opposite standard position ²	N/A	\$ 68
OPT20209-XXX	Trim kit for Bodywrap whirlpool (057) (factory installed) Available colors: Chrome (084), Polished Brass (085), Mixed Chrome and Polished Brass (164), Nickel (105)	N/A	No Charge

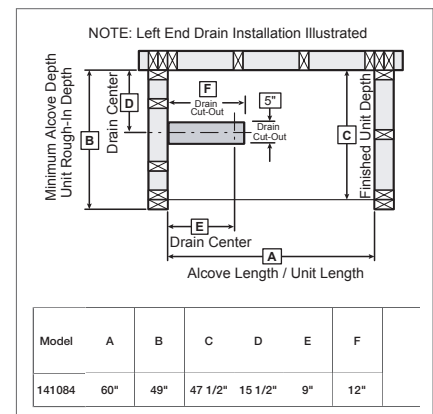
GT-4860 (cont'd)



All dimensions are approximate. Structure measurements must be verified against the unit to ensure proper fit.

FOOTNOTES - BEFORE ORDERING, PLEASE SPECIFY:

- Components for standard color bathtubs equipped with Bodywrap whirlpool are color-coordinated. Trim kit with metallic finish can be added, please order OPT20209 and specify trim kit color.
- The pump on opposite side of standard location will exceed the bathtub dimensions from 8 to 10 inches.



GT-4260

60" x 40 1/2" x 23 1/4 - 25 1/2" -

Gelcoat

Water Capacity: Min: 40 gal. Max: 63 gal.

- 5 1/2" wrap around backsplash
- Integrated apron & tiling flange
- Deck for faucet • 2" Above-the-Floor Rough available
- Right, left or center drain • Textured floor • Alcove installation
- 15 3/4" deep sump • Bottom bathing well : 41 1/2" L x 24" W



GELCOAT RECTANGULAR BATHTUBS

BATHTUB MODEL

No	Model	Dimensions	Pkg	Approx. weight	Std Color(s)	Non-std Colors
141082-000-XXX	Bathtub 141082-R-000-XXX Right-hand drain 141082-L-000-XXX Left-hand drain 141082-000-XXX Center drain Specify: Standard colors: White (002), Bone (004), Biscuit (007) Non-standard colors: Refer to color chart in this book.	60 X 40 1/2 X 23 1/4 - 25 1/2 in.	37.9 ft ³	92 lb	\$ 570	\$ 670
	Bathtub AFR 141082-AFR/R-000-XXX Above-the-floor rough, right-hand drain 141082-AFR/L-000-XXX Above-the-floor rough, left-hand drain 141082-AFR-000-XXX Above-the-floor rough, center drain Specify: Standard colors: White (002), Bone (004), Biscuit (007) Non-standard colors: Refer to color chart in this book.					

HOMESTEAD WHIRLPOOL SYSTEM

No	Model	Approx. weight	Std Color(s)	Non-std Colors
141082-058-XXX	Bathtub with Homestead whirlpool w/air switch ^{1 2} 141082-R-058-XXX Right-hand drain 141082-L-058-XXX Left-hand drain 141082-058-XXX Center drain 141082-AFR/R-058-XXX Above-the-floor rough, right-hand drain 141082-AFR/L-058-XXX Above-the-floor rough, left-hand drain 141082-AFR-058-XXX Above-the-floor rough, center drain	92 lb	\$ 1,384	N/A

COMMON OPTIONS

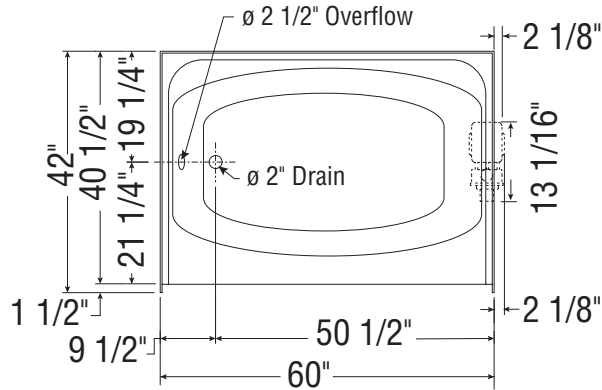
No	Description	Approx. weight	List Price
OPT10172	In-line heater (factory-installed)	N/A	\$ 426
OPT10174	Pump position opposite standard position ³	N/A	\$ 68

DOORS RECOMMENDED WITH THIS PRODUCT. REFER TO MAAX DOOR PRICE BOOK

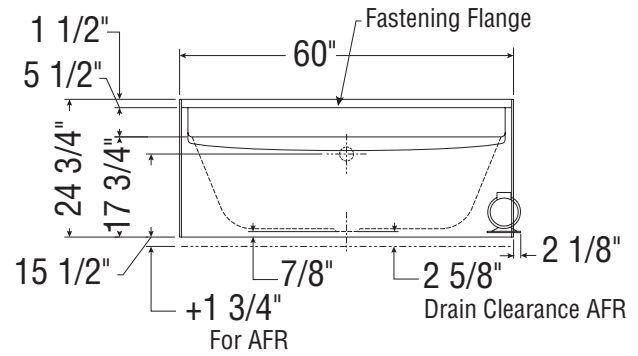
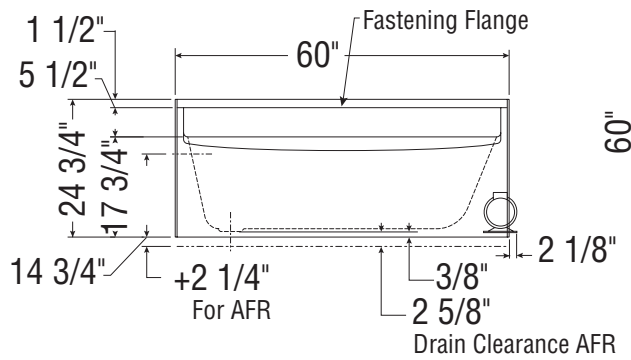
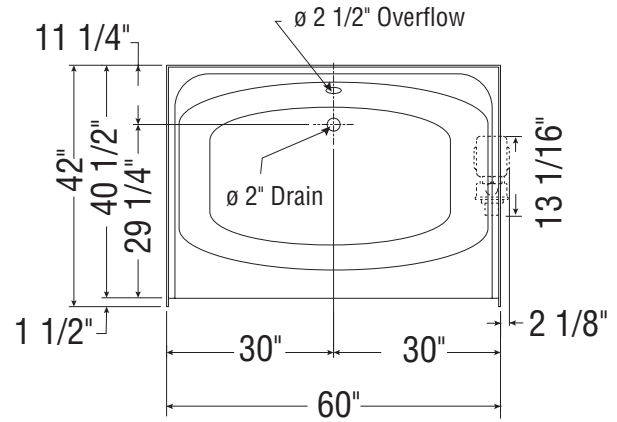
No	Description
138400-XXX-XXX	Triple Plus 3-panel 59 1/2 in.
105410-XXX-XXX	Polar 2-panel 54 - 59 1/2 in.

GT-4260 (cont'd)

GT-4260 R
GT-4260 L (shown)



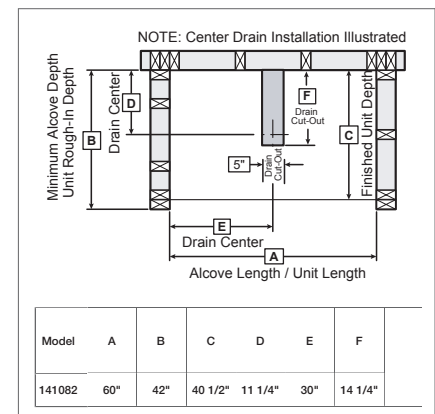
GT-4260 Center Drain



All dimensions are approximate. Structure measurements must be verified against the unit to ensure proper fit.

FOOTNOTES - BEFORE ORDERING, PLEASE SPECIFY:

1. Components for standard color bathtubs equipped with Homestead whirlpool are color-coordinated.
2. Pump on standard location will exceed the bathtub dimensions by 2 1/8"
3. On left or right drain models the pump on opposite side of standard location will exceed the bathtub dimensions from 8 to 10 inches. On center drain model or regular pump position the pump will exceed the bathtub dimensions by 2 1/8 inches



GT-4260AP

60" x 42" x 27" - Gelcoat
 Water Capacity: Min: 40 gal. Max: 50 gal.



- 5 1/2" wrap around splash
- Deck for faucet
- Center drain
- Alcove installation
- 16 7/8" sump



BATHTUB MODEL

No	Model	Dimensions	Pkg	Approx. weight	Std Color(s)	Non-std Colors
141482-000-XXX	Bathtub 141482-000-XXX Center drain Specify: Standard colors: White (002), Bone (004) Non-standard colors: Refer to color chart in this book.	60 X 42 X 27 in.	37.9 ft ³	92 lb	\$ 570	\$ 670

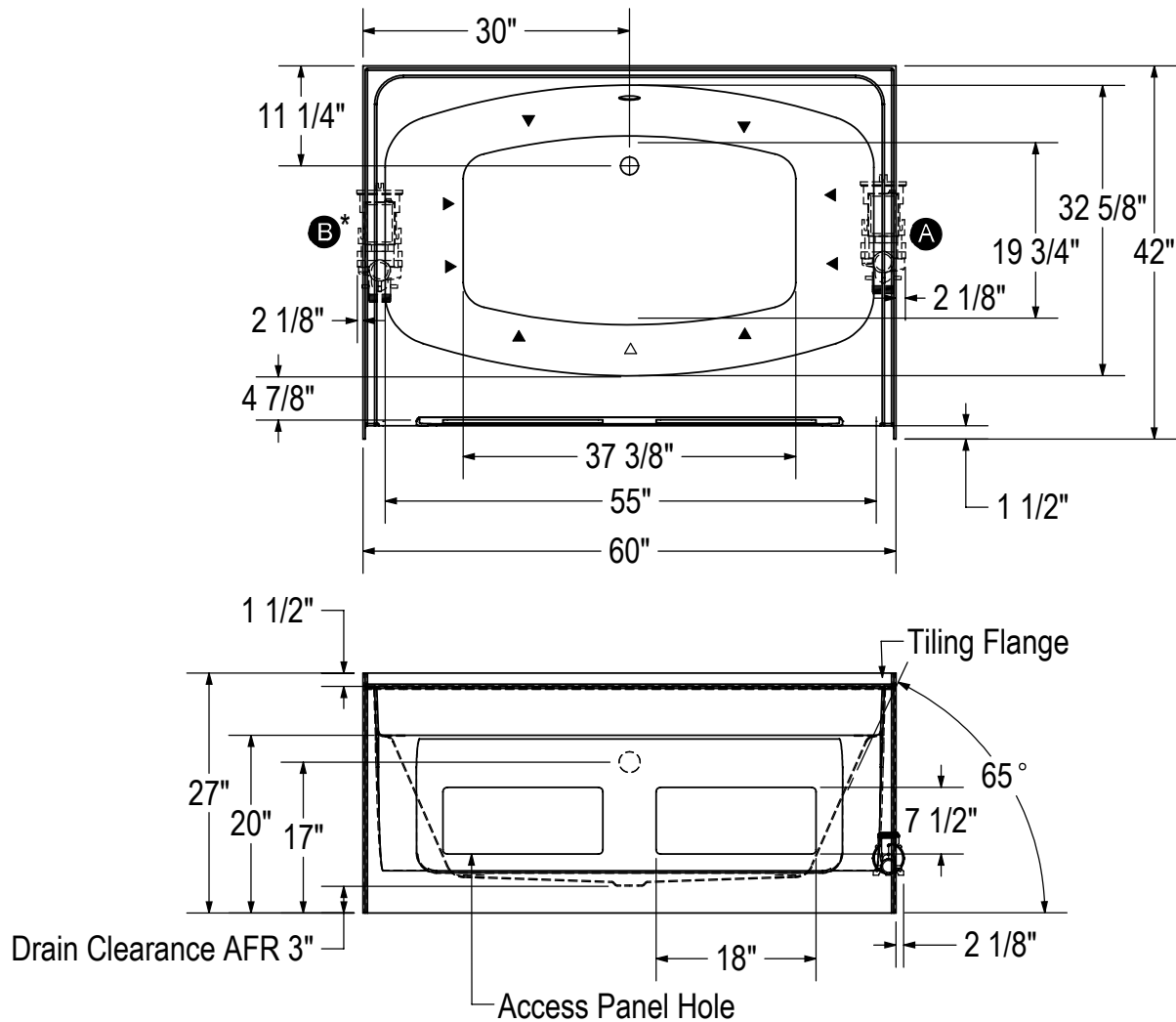
HOMESTEAD WHIRLPOOL SYSTEM

No	Model	Approx. weight	Std Color(s)	Non-std Colors
141482-058-XXX	Bathtub with Homestead whirlpool w/air switch ^{1 2} 141482-058-XXX Center drain	92 lb	\$ 1,384	N/A

COMMON OPTIONS

No	Description	Approx. weight	List Price
OPT10174	Pump position opposite standard position ³	N/A	\$ 68
OPT10172	In-line heater (factory-installed)	N/A	\$ 426

GT-4260AP (cont'd)

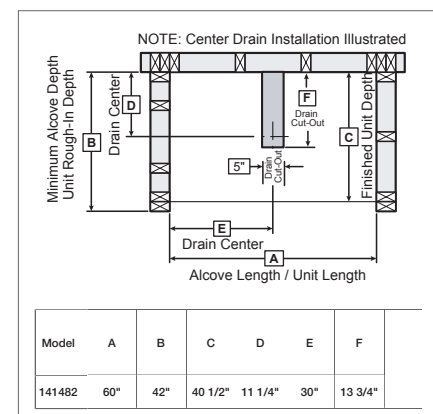


- Ⓐ : Indicate standard pump location
- Ⓑ : Indicate optional pump location *(must order Option in price guide)
- ▲ : Indicates whirlpool jet positioning
- △ : Indicates suction positioning

All dimensions are approximate. Structure measurements must be verified against the unit to ensure proper fit.

FOOTNOTES - BEFORE ORDERING, PLEASE SPECIFY:

1. Components for standard color bathtubs equipped with Homestead whirlpool are color-coordinated.
2. Pump on standard location will exceed the bathtub dimensions by 2 1/8 "
3. On left or right drain models the pump on opposite side of standard location will exceed the bathtub dimensions from 8 to 10 inches. On center drain model or regular pump position the pump will exceed the bathtub dimensions by 2 1/8 inches



SB-4260

60" x 42" x 21 1/2" - Gelcoat
Water Capacity: Min: 49 gal. Max: 98 gal.



- Deep and spacious bathing well
- Backrest with lumbar support
- Armrests • Deck for faucet
- Textured floor • End drain • Drop-in installation
- 20 1/2" deep sump • Bottom bathing well : 45 1/4" L x 32" W

GELCOAT RECTANGULAR BATHTUBS



BATHTUB MODEL

No	Model	Dimensions	Pkg	Approx. weight	Std Color(s)	Non-std Colors
141103-000-XXX	Bathtub 141103-000-XXX End drain Specify: Standard colors: White (002), Bone (004), Biscuit (007) Non-standard colors: Refer to color chart in this book.	60 X 42 X 21 1/2 in.	37.6 ft ³	88 lb	\$ 727	\$ 827
141091-000-XXX	Apron - Non-removable solid apron kit Specify: Standard colors: White (002), Bone (004), Biscuit (007) Non-standard colors: Refer to color chart in this book.	N/A	0.1 ft ³	19 lb	\$ 247	\$ 297
141090-000-XXX	Apron - Removable solid apron kit Specify: Standard colors: White (002), Bone (004), Biscuit (007) Non-standard colors: Refer to color chart in this book.	N/A	3.52 ft ³	31 lb	\$ 316	\$ 366

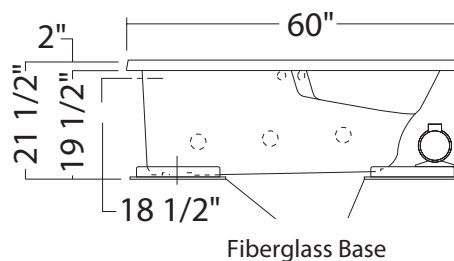
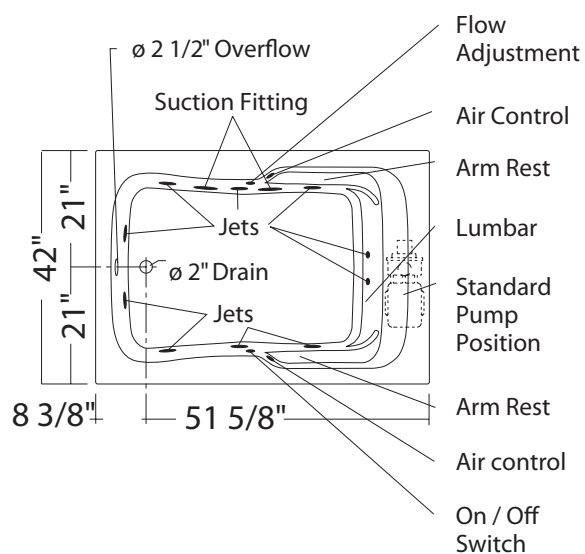
BODYWRAP WHIRLPOOL SYSTEM

No	Model	Approx. weight	Std Color(s)	Non-std Colors
141103-057-XXX	Bathtub with Bodywrap whirlpool w/micro switch ¹ 141103-057-XXX End drain	88 lb	\$ 1,935	\$ 2,035

COMMON OPTIONS

No	Description	Approx. weight	List Price
OPT10172	In-line heater (factory-installed)	N/A	\$ 426
OPT10174	Pump position opposite standard position ²	N/A	\$ 68
OPT10175-084	Designer grab bars Available color: Chrome (084)	N/A	\$ 260
OPT20139	Ozonator for Bodywrap whirlpool system	N/A	\$ 362
OPT20209-XXX	Trim kit for Bodywrap whirlpool (057) (factory installed) Available colors: Chrome (084), Polished Brass (085), Mixed Chrome and Polished Brass (164), Nickel (105)	N/A	No Charge

SB-4260 (cont'd)

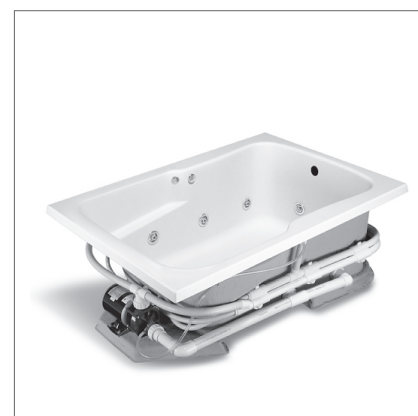


10-jet Bodywrap System SB-4260 / BWS (illustrated)

All dimensions are approximate. Structure measurements must be verified against the unit to ensure proper fit.

FOOTNOTES - BEFORE ORDERING, PLEASE SPECIFY:

1. Components for standard color bathtubs equipped with Bodywrap whirlpool are color-coordinated. Trim kit with metallic finish can be added, please order OPT20209 and specify trim kit color.
2. The pump on opposite side of standard location will exceed the bathtub dimensions from 8 to 10 inches.



TO-4260

60" x 41" x 16" - Gelcoat
Water Capacity: Max: 45 gal.

- Meets FHA accessibility requirements
- Integrated tiling flange
- 2 3/4 in. Above-the-Floor Rough available
- Textured floor • Right or left drain • Alcove installation
- 14 1/4" deep sump • Bottom bathing well : 48" L x 26 1/2" W

GELCOAT RECTANGULAR BATHTUBS



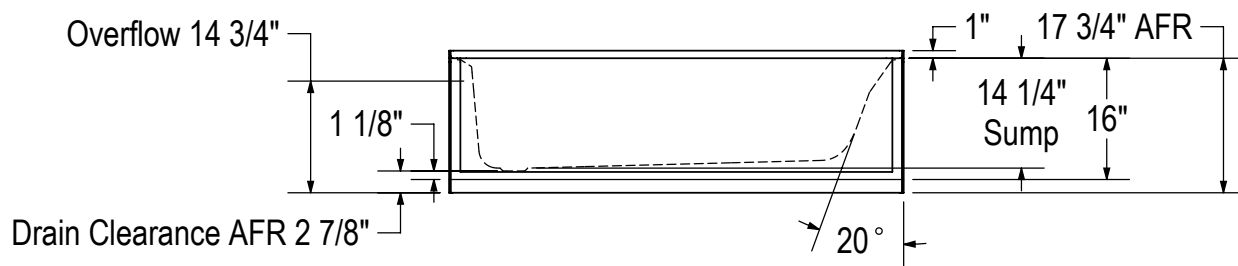
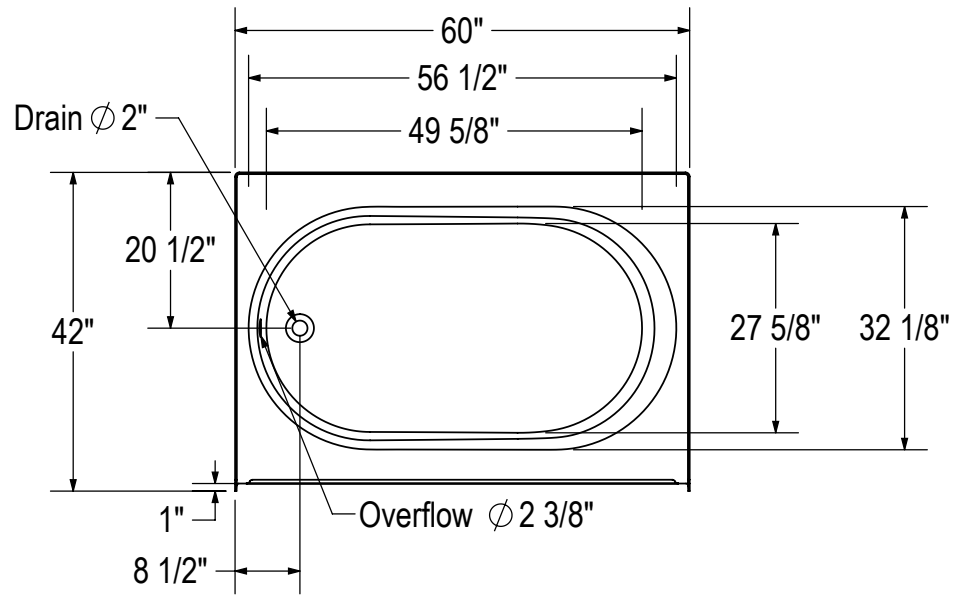
BATHTUB MODEL

No	Model	Dimensions	Pkg	Approx. weight	Std Color(s)	Non-std Colors
141354-000-XXX	Bathtub 141354-R-000-XXX Right-hand drain 141354-L-000-XXX Left-hand drain Specify: Standard colors: White (002), Bone (004), Biscuit (007) Non-standard colors: Refer to color chart in this book.	60 X 41 X 16 in.	24.8 ft ³	76 lb	\$ 520	\$ 620
141355-000-XXX	Bathtub AFR 141355-R-000-XXX Above-the-floor rough, right-hand drain 141355-L-000-XXX Above-the-floor rough, left-hand drain Specify: Standard colors: White (002), Bone (004), Biscuit (007) Non-standard colors: Refer to color chart in this book.	60 X 41 X 17 3/4 in.	27.3 ft ³	76 lb	\$ 520	\$ 620
141361-002-XXX	Job Pack of 4 Bathtubs 141361-R-002-XXX Right-hand drain 141361-L-002-XXX Left-hand drain Standard colors only Specify: Standard colors: White (002), Bone (004), Biscuit (007)	60 X 41 X 16 in.	99.2 ft ³	304 lb	\$ 2,008	N/A
141362-002-XXX	Job Pack of 4 AFR Bathtubs 141362-R-002-XXX Above-the-floor rough, right-hand drain 141362-L-002-XXX Above-the-floor rough, left-hand drain Standard colors only Specify: Standard colors: White (002), Bone (004), Biscuit (007)	60 X 41 X 17 3/4 in.	109 ft ³	304 lb	\$ 2,008	N/A

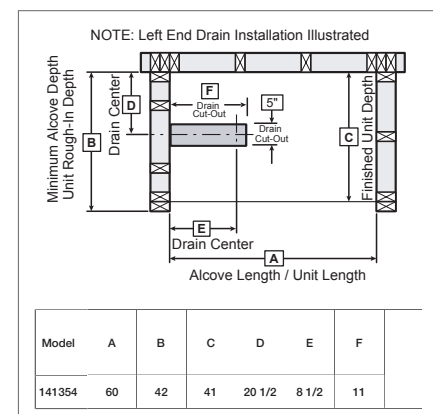
DOORS RECOMMENDED WITH THIS PRODUCT. REFER TO MAAX DOOR PRICE BOOK

No	Description
138400-XXX-XXX	Triple Plus 3-panel 59 1/2 in.
105410-XXX-XXX	Polar 2-panel 54 - 59 1/2 in.
134561-XXX-XXX	Kameleon 6 mm 55 - 59 in.
134661-XXX-XXX	Kameleon Soft Close 6 mm 55 - 59 in.

TO-4260 (cont'd)



All dimensions are approximate. Structure measurements must be verified against the unit to ensure proper fit.



SB-3660

60" x 36" x 21 1/2" - Gelcoat
Water Capacity: Min: 42 gal. Max: 84 gal.



- Deep and spacious bathing well
- Backrest with lumbar support
- Armrests • Deck for faucet
- Textured floor • End drain • Drop-in installation
- 20 1/2" deep sump • Bottom bathing well : 45" L x 25" W

GELCOAT RECTANGULAR BATHTUBS



BATHTUB MODEL

No	Model	Dimensions	Pkg	Approx. weight	Std Color(s)	Non-std Colors
141101-000-XXX	Bathtub 141101-000-XXX End drain Specify: Standard colors: White (002), Bone (004), Biscuit (007) Non-standard colors: Refer to color chart in this book.	60 X 36 X 21 1/2 in.	35.3 ft ³	79 lb	\$ 638	\$ 738
141091-000-XXX	Apron - Non-removable solid apron kit Specify: Standard colors: White (002), Bone (004), Biscuit (007) Non-standard colors: Refer to color chart in this book.	N/A	0.1 ft ³	19 lb	\$ 247	\$ 297
141090-000-XXX	Apron - Removable solid apron kit Specify: Standard colors: White (002), Bone (004), Biscuit (007) Non-standard colors: Refer to color chart in this book.	N/A	3.52 ft ³	31 lb	\$ 316	\$ 366

HOMESTEAD WHIRLPOOL SYSTEM

No	Model	Approx. weight	Std Color(s)	Non-std Colors
141101-058-XXX	Bathtub with Homestead whirlpool w/air switch ¹ 141101-058-XXX End drain	79 lb	\$ 1,452	N/A

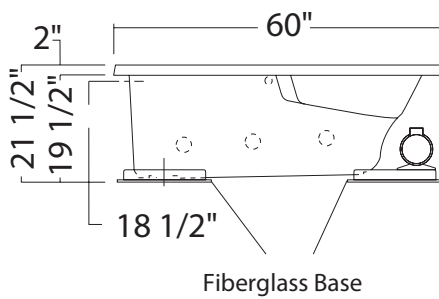
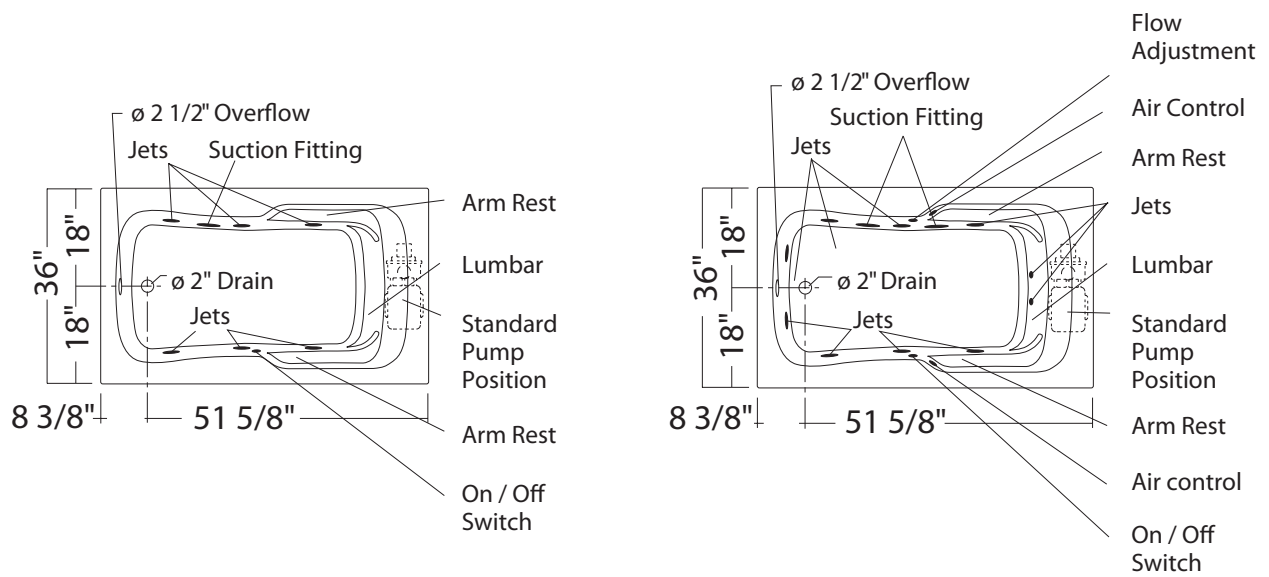
BODYWRAP WHIRLPOOL SYSTEM

No	Model	Approx. weight	Std Color(s)	Non-std Colors
141101-057-XXX	Bathtub with Bodywrap whirlpool w/micro switch ² 141101-057-XXX End drain	79 lb	\$ 1,846	\$ 1,946

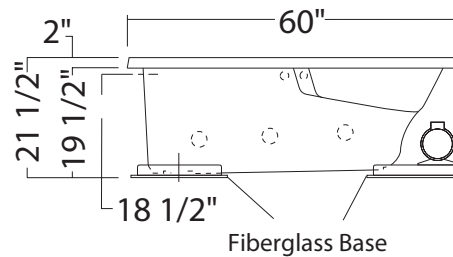
COMMON OPTIONS

No	Description	Approx. weight	List Price
OPT10172	In-line heater (factory-installed)	N/A	\$ 426
OPT10174	Pump position opposite standard position ³	N/A	\$ 68
OPT10175-084	Designer grab bars Available color: Chrome (084)	N/A	\$ 260
OPT20139	Ozonator for Bodywrap whirlpool system	N/A	\$ 362
OPT20209-XXX	Trim kit for Bodywrap whirlpool (057) (factory installed) Available colors: Chrome (084), Polished Brass (085), Mixed Chrome and Polished Brass (164), Nickel (105)	N/A	No Charge

SB-3660 (cont'd)



6-jet Homestead Collection SB-3660
HMS (illustrated)



10-jet Bodywrap System SB-3660
BWS (illustrated)

All dimensions are approximate. Structure measurements must be verified against the unit to ensure proper fit.

FOOTNOTES - BEFORE ORDERING, PLEASE SPECIFY:

1. Components for standard color bathtubs equipped with Homestead whirlpool are color-coordinated.
2. Components for standard color bathtubs equipped with Bodywrap whirlpool are color-coordinated. Trim kit with metallic finish can be added, please order OPT20209 and specify trim kit color.
3. The pump on opposite side of standard location will exceed the bathtub dimensions from 8 to 10 inches.



SBA-3660

60" x 36 1/2" x 21 1/4 - 24" - Gelcoat
Water Capacity: Min: 42 gal. Max: 84 gal.



- Deep and spacious bathing well
- Integrated apron & tiling flange • Deck for faucet
- Armrests • Right or left drain • Alcove installation
- 3 in. Above-the-Floor Rough available • Textured floor
- 20 1/2" deep sump • Bottom bathing well : 45" L x 25" W

GELCOAT RECTANGULAR BATHTUBS



BATHTUB MODEL

No	Model	Dimensions	Pkg	Approx. weight	Std Color(s)	Non-std Colors
141080-000-XXX	Bathtub 141080-R-000-XXX Right-hand drain 141080-L-000-XXX Left-hand drain Specify: Standard colors: White (002), Bone (004), Biscuit (007) Non-standard colors: Refer to color chart in this book.	60 X 36 1/2 X 21 1/4 - 24 in.	31.7 ft ³	86 lb	\$ 638	\$ 738
	Bathtub 141080-AFR/R-000-XXX Above-the-floor rough, right-hand drain 141080-AFR/L-000-XXX Above-the-floor rough, left-hand drain Specify: Standard colors: White (002), Bone (004), Biscuit (007) Non-standard colors: Refer to color chart in this book.					

HOMESTEAD WHIRLPOOL SYSTEM

No	Model	Approx. weight	Std Color(s)	Non-std Colors
141080-058-XXX	Bathtub with Homestead whirlpool w/air switch ¹ 141080-R-058-XXX Right-hand drain 141080-L-058-XXX Left-hand drain 141080-AFR/R-058-XXX Above-the-floor rough, right-hand drain 141080-AFR/L-058-XXX Above-the-floor rough, left-hand drain	86 lb	\$ 1,452	N/A

BODYWRAP WHIRLPOOL SYSTEM

No	Model	Approx. weight	Std Color(s)	Non-std Colors
141080-057-XXX	Bathtub with Bodywrap whirlpool w/micro switch ² 141080-R-057-XXX Right-hand drain 141080-L-057-XXX Left-hand drain 141080-AFR/R-057-XXX Above-the-floor rough, right-hand drain 141080-AFR/L-057-XXX Above-the-floor rough, left-hand drain	86 lb	\$ 1,846	\$ 1,946

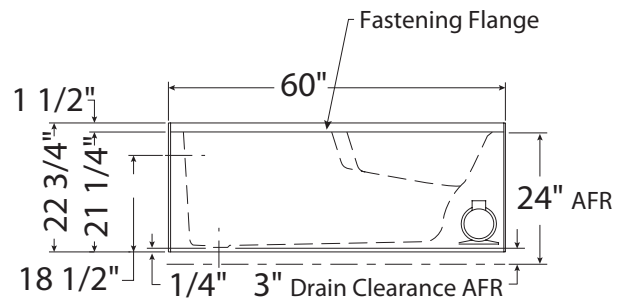
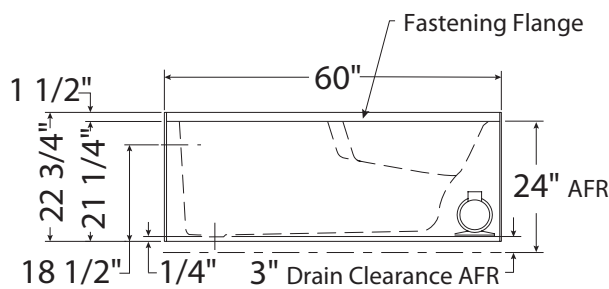
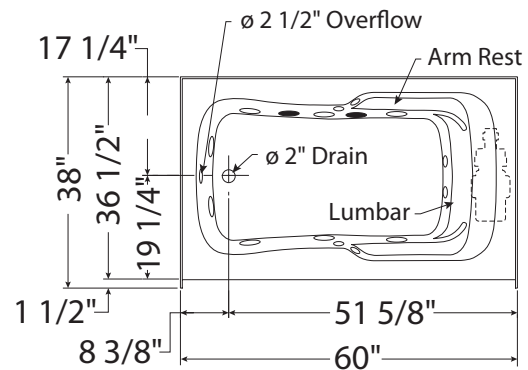
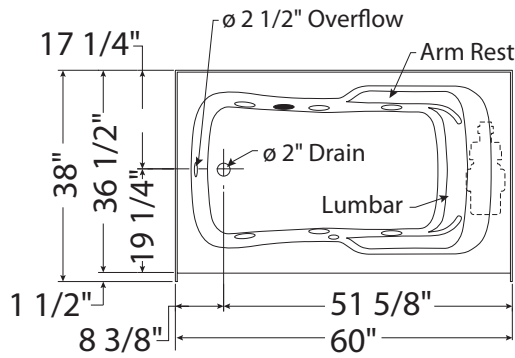
COMMON OPTIONS

No	Description	Approx. weight	List Price
OPT10172	In-line heater (factory-installed)	N/A	\$ 426
OPT10174	Pump position opposite standard position ³	N/A	\$ 68
OPT20139	Ozonator for Bodywrap whirlpool system	N/A	\$ 362
OPT20209-XXX	Trim kit for Bodywrap whirlpool (057) (factory installed) Available colors: Chrome (084), Polished Brass (085), Mixed Chrome and Polished Brass (164), Nickel (105)	N/A	No Charge

DOORS RECOMMENDED WITH THIS PRODUCT. REFER TO MAAX DOOR PRICE BOOK

No	Description
138400-XXX-XXX	Triple Plus 3-panel 59 1/2 in.
105410-XXX-XXX	Polar 2-panel 54 - 59 1/2 in.

SBA-3660 (cont'd)



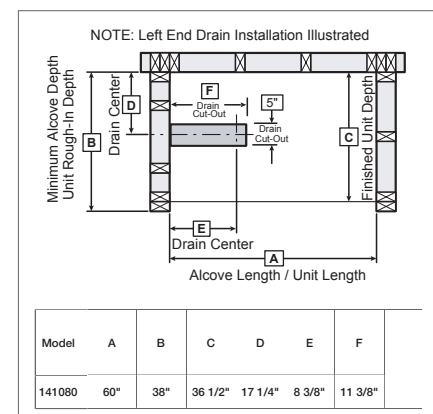
6-jet Homestead System SBA-3260L
HMS (illustrated)

10-jet Bodywrap System SBA-3260L
BWS (illustrated)

All dimensions are approximate. Structure measurements must be verified against the unit to ensure proper fit.

FOOTNOTES - BEFORE ORDERING, PLEASE SPECIFY:

1. Components for standard color bathtubs equipped with Homestead whirlpool are color-coordinated.
2. Components for standard color bathtubs equipped with Bodywrap whirlpool are color-coordinated. Trim kit with metallic finish can be added, please order OPT20209 and specify trim kit color.
3. The pump on opposite side of standard location will exceed the bathtub dimensions from 8 to 10 inches.



SBF-3660

60" x 36 1/2" x 21 1/4" - Gelcoat
Water Capacity: Min: 42 gal. Max: 84 gal.



- Deep and spacious bathing well
- Integrated tiling flange
- Armrests • Deck for faucet
- Textured floor • Right or left drain • Alcove installation
- 20 1/2" deep sump • Bottom bathing well : 45" L x 25" W

GELCOAT RECTANGULAR BATHTUBS



BATHTUB MODEL

No	Model	Dimensions	Pkg	Approx. weight	Std Color(s)	Non-std Colors
141089-000-XXX	Bathtub 141089-R-000-XXX Right-hand drain 141089-L-000-XXX Left-hand drain Specify: Standard colors: White (002), Bone (004), Biscuit (007) Non-standard colors: Refer to color chart in this book.	60 X 36 1/2 X 21 1/4 in.	34.2 ft ³	79 lb	\$ 638	\$ 738
141091-000-XXX	Apron - Non-removable solid apron kit Specify: Standard colors: White (002), Bone (004), Biscuit (007) Non-standard colors: Refer to color chart in this book.	N/A	0.1 ft ³	19 lb	\$ 247	\$ 297
141090-000-XXX	Apron - Removable solid apron kit Specify: Standard colors: White (002), Bone (004), Biscuit (007) Non-standard colors: Refer to color chart in this book.	N/A	3.52 ft ³	31 lb	\$ 316	\$ 366

HOMESTEAD WHIRLPOOL SYSTEM

No	Model	Approx. weight	Std Color(s)	Non-std Colors
141089-058-XXX	Bathtub with Homestead whirlpool w/air switch ¹ 141089-R-058-XXX Right-hand drain 141089-L-058-XXX Left-hand drain	79 lb	\$ 1,452	N/A

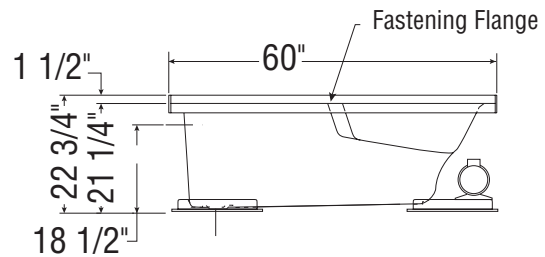
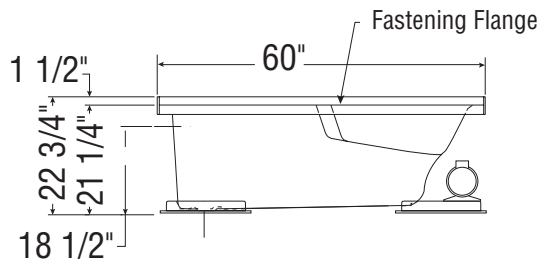
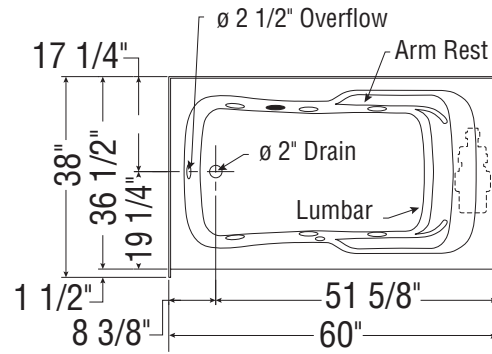
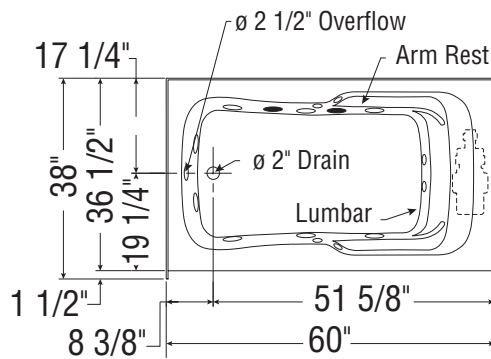
BODYWRAP WHIRLPOOL SYSTEM

No	Model	Approx. weight	Std Color(s)	Non-std Colors
141089-057-XXX	Bathtub with Bodywrap whirlpool w/micro switch ² 141089-R-057-XXX Right-hand drain 141089-L-057-XXX Left-hand drain	79 lb	\$ 1,846	\$ 1,946

COMMON OPTIONS

No	Description	Approx. weight	List Price
OPT10172	In-line heater (factory-installed)	N/A	\$ 426
OPT10174	Pump position opposite standard position ³	N/A	\$ 68
OPT10175-084	Designer grab bars Available color: Chrome (084)	N/A	\$ 260
OPT20139	Ozonator for Bodywrap whirlpool system	N/A	\$ 362
OPT20209-XXX	Trim kit for Bodywrap whirlpool (057) (factory installed) Available colors: Chrome (084), Polished Brass (085), Mixed Chrome and Polished Brass (164), Nickel (105)	N/A	No Charge

SBF-3660 (cont'd)



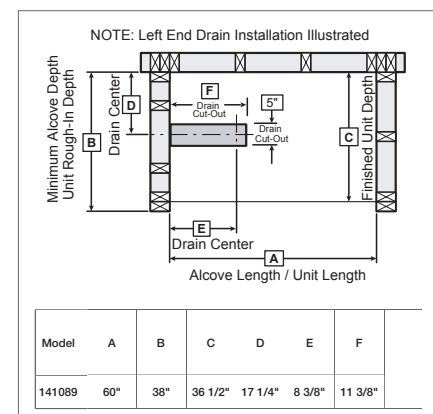
6-jet Homestead System SBF-3660L
HMS (illustrated)

10-jet Bodywrap System SBF-3660L
BWS (illustrated)

All dimensions are approximate. Structure measurements must be verified against the unit to ensure proper fit.

FOOTNOTES - BEFORE ORDERING, PLEASE SPECIFY:

1. Components for standard color bathtubs equipped with Homestead whirlpool are color-coordinated.
2. Components for standard color bathtubs equipped with Bodywrap whirlpool are color-coordinated. Trim kit with metallic finish can be added, please order OPT20209 and specify trim kit color.
3. The pump on opposite side of standard location will exceed the bathtub dimensions from 8 to 10 inches.



TO-3660

60" x 36" x 16" - Gelcoat
Water Capacity: Max: 46 gal.

- Meets FHA accessibility requirements
- Integrated tiling flange
- 2 3/4 in. Above-the-Floor Rough available
- Textured floor • Right or left drain • Alcove installation
- 14 1/4" deep sump • Bottom bathing well : 45 1/2" L x 23 1/2" W

GELCOAT RECTANGULAR BATHTUBS



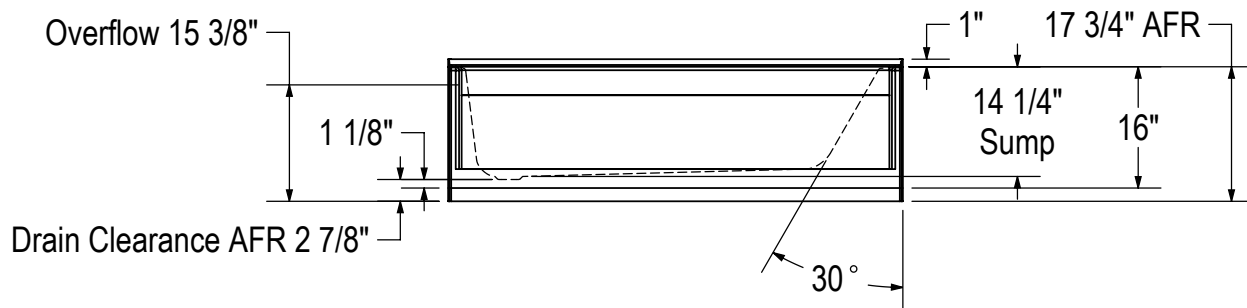
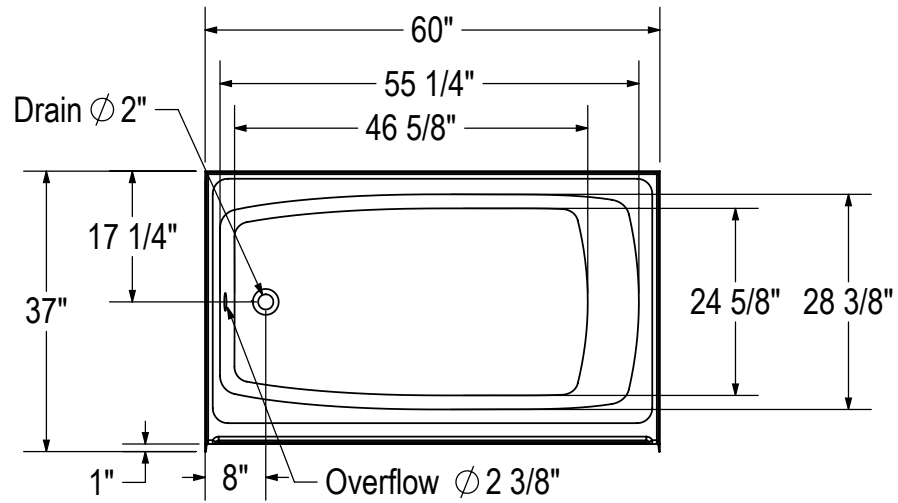
BATHTUB MODEL

No	Model	Dimensions	Pkg	Approx. weight	Std Color(s)	Non-std Colors
141352-000-XXX	Bathtub 141352-R-000-XXX Right-hand drain 141352-L-000-XXX Left-hand drain Specify: Standard colors: White (002), Bone (004), Biscuit (007) Non-standard colors: Refer to color chart in this book.	60 X 36 X 16 in.	21.8 ft ³	70 lb	\$ 499	\$ 599
141353-000-XXX	Bathtub AFR 141353-R-000-XXX Above-the-floor rough, right-hand drain 141353-L-000-XXX Above-the-floor rough, left-hand drain Specify: Standard colors: White (002), Bone (004), Biscuit (007) Non-standard colors: Refer to color chart in this book.	60 X 36 X 17 3/4 in.	24.1 ft ³	70 lb	\$ 499	\$ 599
141359-002-XXX	Job Pack of 8 Bathtubs 141359-R-002-XXX Right-hand drain 141359-L-002-XXX Left-hand drain Standard colors only Specify: Standard colors: White (002), Bone (004), Biscuit (007)	60 X 36 X 16 in.	174 ft ³	560 lb	\$ 3,848	N/A
141360-002-XXX	Job Pack of 8 AFR Bathtubs 141360-R-002-XXX Above-the-floor rough, right-hand drain 141360-L-002-XXX Above-the-floor rough, left-hand drain Standard colors only Specify: Standard colors: White (002), Bone (004), Biscuit (007)	60 X 36 X 17 3/4 in.	193 ft ³	560 lb	\$ 3,848	N/A

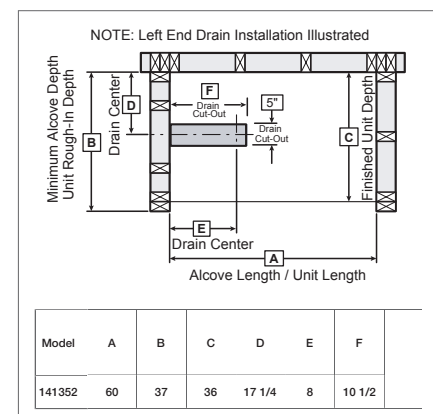
DOORS RECOMMENDED WITH THIS PRODUCT. REFER TO MAAX DOOR PRICE BOOK

No	Description
138400-XXX-XXX	Triple Plus 3-panel 59 1/2 in.
105410-XXX-XXX	Polar 2-panel 54 - 59 1/2 in.
134561-XXX-XXX	Kameleon 6 mm 55 - 59 in.
134661-XXX-XXX	Kameleon Soft Close 6 mm 55 - 59 in.

TO-3660 (cont'd)



All dimensions are approximate. Structure measurements must be verified against the unit to ensure proper fit.



TOF-3260

59 3/4" x 32" x 19 1/8" - Gelcoat
Water Capacity: Min: 30.6 gal. Max: 38.6 gal.

- 3" wrap around backsplash • Tile adaptor required for door installation
- Integrated apron and tiling flange
- 3 3/8 in. Above-the-Floor Rough available
- Textured floor • Right or left drain • Alcove installation
- 14 3/8" deep sump • Bottom bathing well : 44 1/8" L x 21 5/8" W

GELCOAT RECTANGULAR BATHTUBS



BATHTUB MODEL

No	Model	Dimensions	Pkg	Approx. weight	Std Color(s)	Non-std Colors
142014-000-XXX	Bathtub ¹ 142014-R-000-XXX Right-hand drain 142014-L-000-XXX Left-hand drain Specify: Standard colors: White (002), Bone (004), Biscuit (007) Non-standard colors: Refer to color chart in this book.	59 3/4 X 32 X 19 1/8 in.	28 ft ³	52 lb	\$ 568	\$ 618
142015-000-XXX	Bathtub AFR ² 142015-R-000-XXX Above-the-floor rough, right-hand drain 142015-L-000-XXX Above-the-floor rough, left-hand drain Specify: Standard colors: White (002), Bone (004), Biscuit (007) Non-standard colors: Refer to color chart in this book.	59 3/4 X 32 X 21 1/2 in.	28 ft ³	52 lb	\$ 568	\$ 618

HOMESTEAD WHIRLPOOL SYSTEM

No	Model	Approx. weight	Std Color(s)	Non-std Colors
142014-058-XXX	Bathtub with Homestead whirlpool w/air switch 142014-R-058-XXX Right-hand drain 142014-L-058-XXX Left-hand drain Specify: Standard colors: White (002), Bone (004), Biscuit (007)	52 lb	\$ 1,382	N/A
142015-058-XXX	Bathtub AFR with Homestead whirlpool w/air switch ² 142015-R-058-XXX Above-the-floor rough, right-hand drain 142015-L-058-XXX Above-the-floor rough, left-hand drain Specify: Standard colors: White (002), Bone (004), Biscuit (007) Non-standard colors: Refer to color chart in this book.	52 lb	\$ 1,382	N/A

COMMON OPTIONS

No	Description	Approx. weight	List Price
OPT10174	Pump position opposite standard position ³	N/A	\$ 68
OPT10172	In-line heater (factory-installed)	N/A	\$ 426

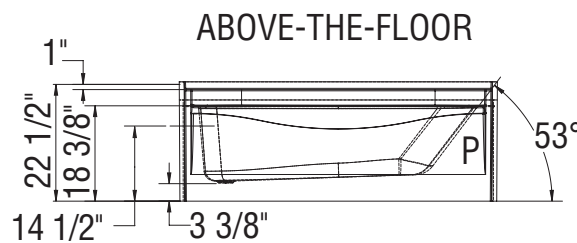
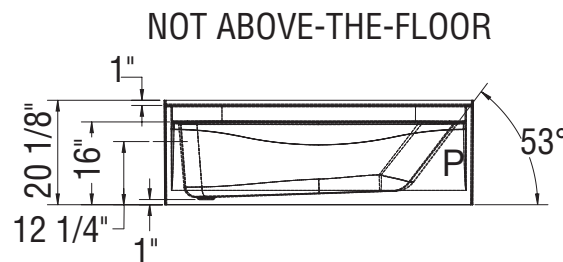
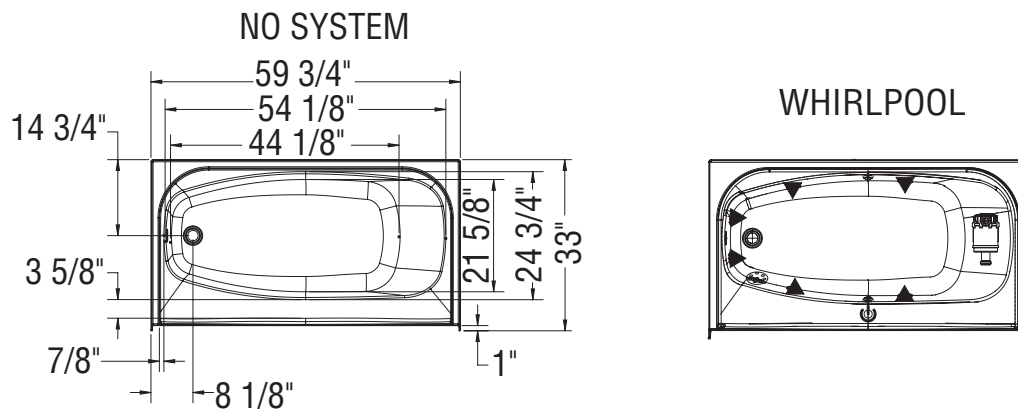
ACCESSORIES

No	Description	Approx. weight	List Price
10024636-XXX	Tile adaptor (for door installation) Available colors: White (002), Bone (004), Biscuit (007)	10 lb	\$ 117

DOORS RECOMMENDED WITH THIS PRODUCT. REFER TO MAAX DOOR PRICE BOOK

No	Description
138400-XXX-XXX	Triple Plus 3-panel 59 1/2 in.
105410-XXX-XXX	Polar 2-panel 54 - 59 1/2 in.
134561-XXX-XXX	Kameleon 6 mm 55 - 59 in.
134661-XXX-XXX	Kameleon Soft Close 6 mm 55 - 59 in.

TOF-3260 (cont'd)

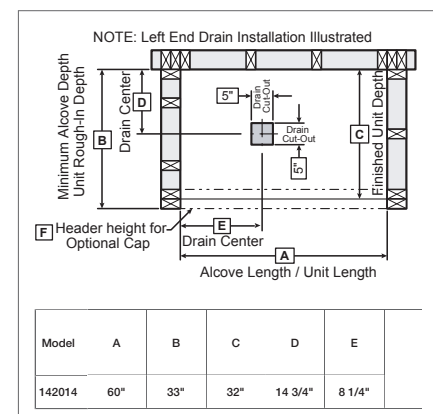


(▲): Indicates Whirlpool jets positioning
 (△): Indicates suction positioning

All dimensions are approximate. Structure measurements must be verified against the unit to ensure proper fit.

FOOTNOTES - BEFORE ORDERING, PLEASE SPECIFY:

- Components for bathtubs equipped with Homestead whirlpool are color-coordinated.
- Components for standard color tub showers equipped with system are color-coordinated. Trim kit with metallic finish can be added (additional charge applies). For non-standard color tub showers, please specify trim kit color (additional charge applies for metallic finishes).
- The pump on opposite side of standard location will exceed the bathtub dimensions from 8 to 10 inches.



TO-3260

60" x 32" x 16" - Gelcoat
Water Capacity: Max: 39 gal.

- Meets FHA accessibility requirements
- Integrated tiling flange
- 2 3/4 in. Above-the-Floor Rough available
- Textured floor • Right or left drain • Alcove installation
- 14 1/4" deep sump • Bottom bathing well: 45" L x 19 1/4" W

GELCOAT RECTANGULAR BATHTUBS



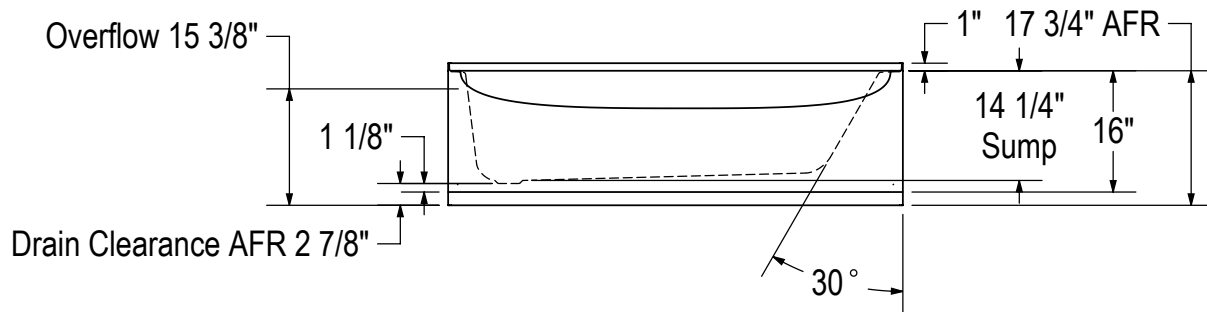
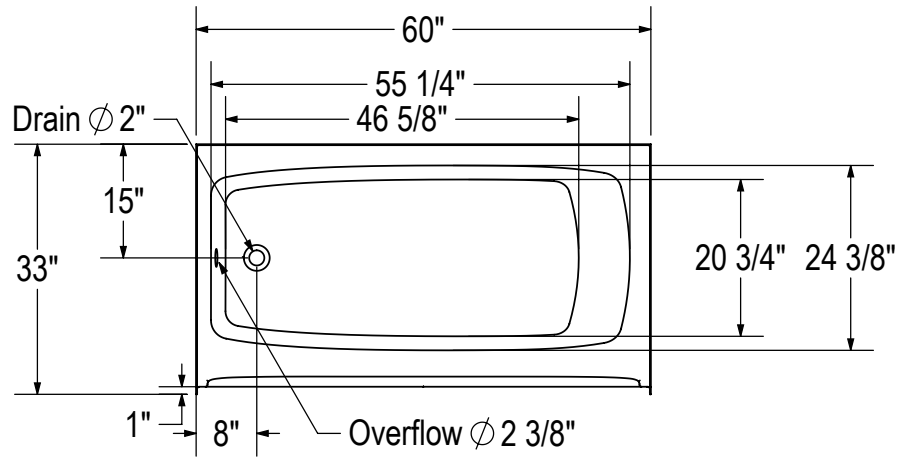
BATHTUB MODEL

No	Model	Dimensions	Pkg	Approx. weight	Std Color(s)	Non-std Colors
141350-000-XXX	Bathtub 141350-R-000-XXX Right-hand drain 141350-L-000-XXX Left-hand drain Specify: Standard colors: White (002), Bone (004), Biscuit (007) Non-standard colors: Refer to color chart in this book.	60 X 32 X 16 in.	19.5 ft ³	65 lb	\$ 420	\$ 520
141351-000-XXX	Bathtub AFR 141351-R-000-XXX Above-the-floor rough, right-hand drain 141351-L-000-XXX Above-the-floor rough, left-hand drain Specify: Standard colors: White (002), Bone (004), Biscuit (007) Non-standard colors: Refer to color chart in this book.	60 X 32 X 17 3/4 in.	21.5 ft ³	65 lb	\$ 420	\$ 520
141357-002-XXX	Job Pack of 12 Bathtubs 141357-R-002-XXX Right-hand drain 141357-L-002-XXX Left-hand drain Standard colors only Specify: Standard colors: White (002), Bone (004), Biscuit (007)	60 X 32 X 16 in.	234 ft ³	780 lb	\$ 4,860	N/A
141358-002-XXX	Job Pack of 12 Bathtubs 141358-R-002-XXX Above-the-floor rough, right-hand drain 141358-L-002-XXX Above-the-floor rough, left-hand drain Standard colors only Specify: Standard colors: White (002), Bone (004), Biscuit (007)	60 X 32 X 17 3/4 in.	258 ft ³	780 lb	\$ 4,860	N/A

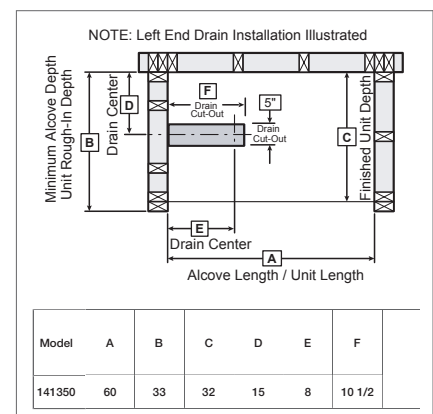
DOORS RECOMMENDED WITH THIS PRODUCT. REFER TO MAAX DOOR PRICE BOOK

No	Description
138400-XXX-XXX	Triple Plus 3-panel 59 1/2 in.
105410-XXX-XXX	Polar 2-panel 54 - 59 1/2 in.
134561-XXX-XXX	Kameleon 6 mm 55 - 59 in.
134661-XXX-XXX	Kameleon Soft Close 6 mm 55 - 59 in.

TO-3260 (cont'd)



All dimensions are approximate. Structure measurements must be verified against the unit to ensure proper fit.



SB-3260

60" x 32" x 21 1/2" - Gelcoat
Water Capacity: Min: 37 gal. Max: 74 gal.



- Deep bathing well
- Backrest with lumbar support
- Armrests • Deck for faucet
- Textured floor • End drain • Drop-in installation
- 20 1/2" deep sump • Bottom bathing well : 45" L x 21" W

GELCOAT RECTANGULAR BATHTUBS



BATHTUB MODEL

No	Model	Dimensions	Pkg	Approx. weight	Std Color(s)	Non-std Colors
141099-000-XXX	Bathtub 141099-000-XXX End drain Specify: Standard colors: White (002), Bone (004), Biscuit (007) Non-standard colors: Refer to color chart in this book.	60 X 32 X 21 1/2 in.	31 ft ³	72 lb	\$ 602	\$ 702
141091-000-XXX	Apron - Non-removable solid apron kit Specify: Standard colors: White (002), Bone (004), Biscuit (007) Non-standard colors: Refer to color chart in this book.	N/A	0.1 ft ³	19 lb	\$ 247	\$ 297
141090-000-XXX	Apron - Removable solid apron kit Specify: Standard colors: White (002), Bone (004), Biscuit (007) Non-standard colors: Refer to color chart in this book.	N/A	3.52 ft ³	31 lb	\$ 316	\$ 366

HOMESTEAD WHIRLPOOL SYSTEM

No	Model	Approx. weight	Std Color(s)	Non-std Colors
141099-058-XXX	Bathtub with Homestead whirlpool w/air switch ¹ 141099-058-XXX End drain	72 lb	\$ 1,416	N/A

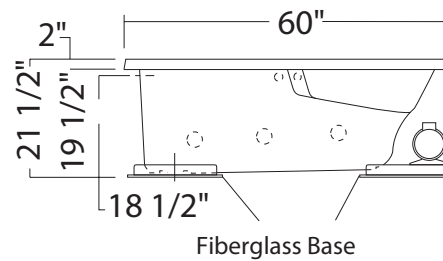
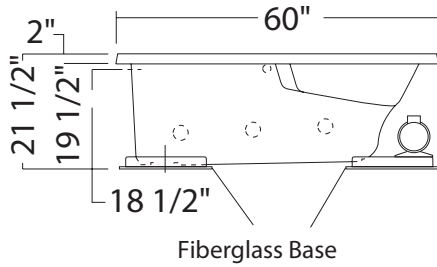
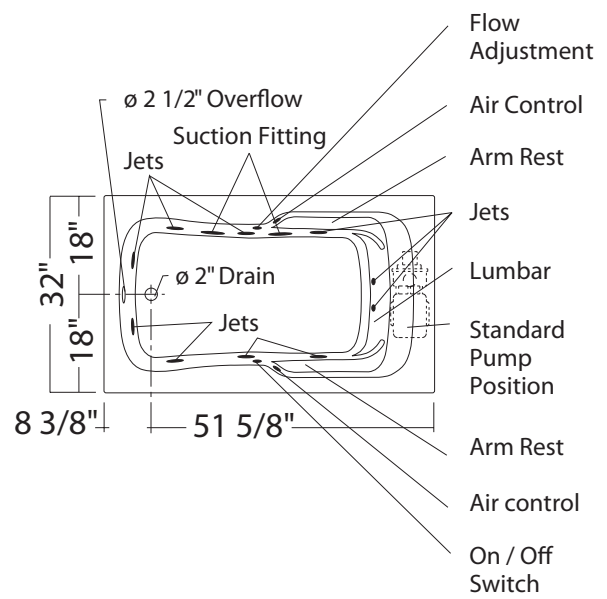
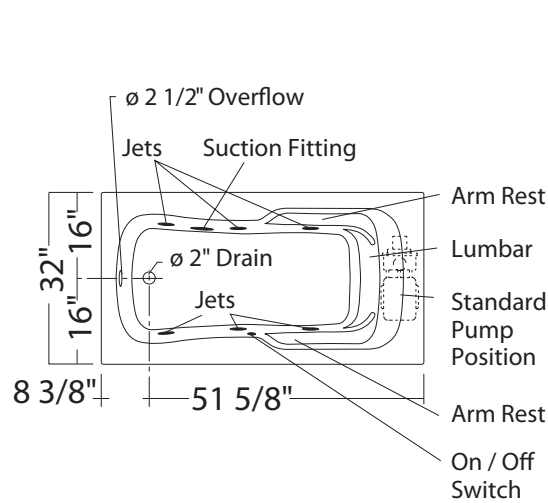
BODYWRAP WHIRLPOOL SYSTEM

No	Model	Approx. weight	Std Color(s)	Non-std Colors
141099-057-XXX	Bathtub with Bodywrap whirlpool w/micro switch ² 141099-057-XXX End drain	72 lb	\$ 1,810	\$ 1,910

COMMON OPTIONS

No	Description	Approx. weight	List Price
OPT10172	In-line heater (factory-installed)	N/A	\$ 426
OPT10174	Pump position opposite standard position ³	N/A	\$ 68
OPT10175-084	Designer grab bars Available color: Chrome (084)	N/A	\$ 260
OPT20139	Ozonator for Bodywrap whirlpool system	N/A	\$ 362
OPT20209-XXX	Trim kit for Bodywrap whirlpool (057) (factory installed) Available colors: Chrome (084), Polished Brass (085), Mixed Chrome and Polished Brass (164), Nickel (105)	N/A	No Charge

SB-3260 (cont'd)



6-jet Homestead Collection SB-3260
HMS (illustrated)

10-jet Bodywrap System SB-3260
BWS (illustrated)

All dimensions are approximate. Structure measurements must be verified against the unit to ensure proper fit.

FOOTNOTES - BEFORE ORDERING, PLEASE SPECIFY:

1. Components for standard color bathtubs equipped with Homestead whirlpool are color-coordinated.
2. Components for standard color bathtubs equipped with Bodywrap whirlpool are color-coordinated. Trim kit with metallic finish can be added, please order OPT20209 and specify trim kit color.
3. The pump on opposite side of standard location will exceed the bathtub dimensions from 8 to 10 inches.



SBA-3260

60" x 32 1/2" x 21 1/4" - Gelcoat
 Water Capacity: Min: 37 gal. Max: 74 gal.



- Deep and spacious bathing well
- Integrated apron & tiling flange
- Deck for faucet • Armrests
- Textured floor • Right or left drain • Alcove installation
- 20 1/2" deep sump • Bottom bathing well : 45" L x 21" W

GELCOAT RECTANGULAR BATHTUBS



BATHTUB MODEL

No	Model	Dimensions	Pkg	Approx. weight	Std Color(s)	Non-std Colors
141079-000-XXX	Bathtub 141079-R-000-XXX Right-hand drain 141079-L-000-XXX Left-hand drain Specify: Standard colors: White (002), Bone (004), Biscuit (007) Non-standard colors: Refer to color chart in this book.	60 X 32 1/2 X 21 1/4 in.	28.3 ft ³	83 lb	\$ 602	\$ 702

HOMESTEAD WHIRLPOOL SYSTEM

No	Model	Approx. weight	Std Color(s)	Non-std Colors
141079-058-XXX	Bathtub with Homestead whirlpool w/air switch ¹ 141079-R-058-XXX Right-hand drain 141079-L-058-XXX Left-hand drain	83 lb	\$ 1,416	N/A

BODYWRAP WHIRLPOOL SYSTEM

No	Model	Approx. weight	Std Color(s)	Non-std Colors
141079-057-XXX	Bathtub with Bodywrap whirlpool w/micro switch ² 141079-R-057-XXX Right-hand drain 141079-L-057-XXX Left-hand drain	83 lb	\$ 1,810	\$ 1,910

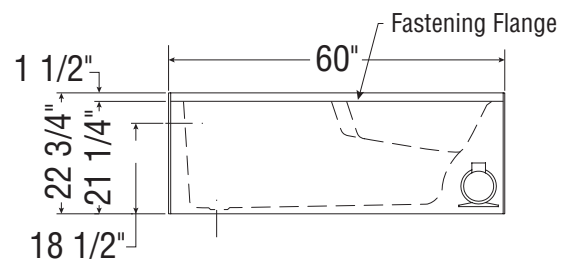
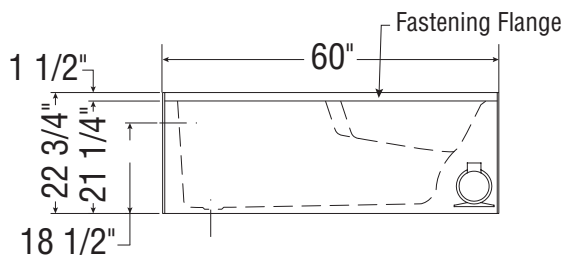
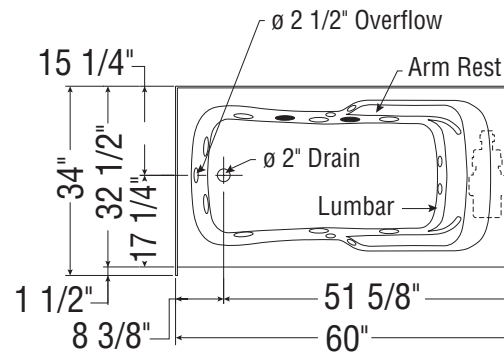
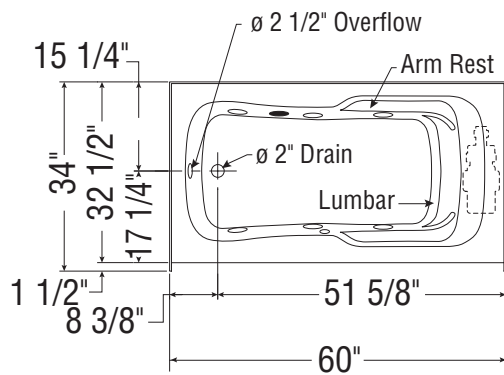
COMMON OPTIONS

No	Description	Approx. weight	List Price
OPT10172	In-line heater (factory-installed)	N/A	\$ 426
OPT10174	Pump position opposite standard position ³	N/A	\$ 68
OPT20139	Ozonator for Bodywrap whirlpool system	N/A	\$ 362
OPT20209-XXX	Trim kit for Bodywrap whirlpool (057) (factory installed) Available colors: Chrome (084), Polished Brass (085), Mixed Chrome and Polished Brass (164), Nickel (105)	N/A	No Charge

DOORS RECOMMENDED WITH THIS PRODUCT. REFER TO MAAX DOOR PRICE BOOK

No	Description
138400-XXX-XXX	Triple Plus 3-panel 59 1/2 in.
105410-XXX-XXX	Polar 2-panel 54 - 59 1/2 in.

SBA-3260 (cont'd)



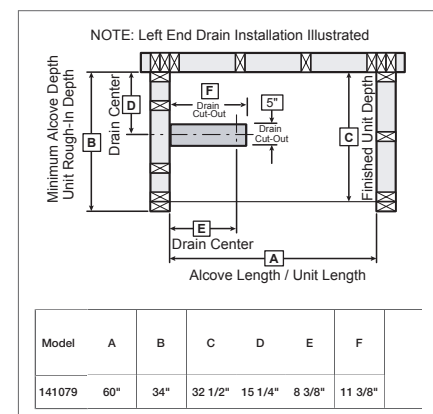
6-jet Homestead Collection SBA-3260L
HMS (illustrated)

10-jet Bodywrap Collection SBA-3260L
BWS (illustrated)

All dimensions are approximate. Structure measurements must be verified against the unit to ensure proper fit.

FOOTNOTES - BEFORE ORDERING, PLEASE SPECIFY:

1. Components for standard color bathtubs equipped with Homestead whirlpool are color-coordinated.
2. Components for standard color bathtubs equipped with Bodywrap whirlpool are color-coordinated. Trim kit with metallic finish can be added, please order OPT20209 and specify trim kit color.
3. The pump on opposite side of standard location will exceed the bathtub dimensions from 8 to 10 inches.



SBF-3260

60" x 32" x 21 1/2" - Gelcoat
Water Capacity: Min: 37 gal. Max: 74 gal.



- Deep bathing well
- Integrated tiling flange
- Armrests • Deck for faucet
- Textured floor • Right or left drain • Alcove installation
- 20 1/2" deep sump • Bottom bathing well : 45" L x 21" W

GELCOAT RECTANGULAR BATHTUBS



BATHTUB MODEL

No	Model	Dimensions	Pkg	Approx. weight	Std Color(s)	Non-std Colors
141088-000-XXX	Bathtub 141088-R-000-XXX Right-hand drain 141088-L-000-XXX Left-hand drain Specify: Standard colors: White (002), Bone (004), Biscuit (007) Non-standard colors: Refer to color chart in this book.	60 X 32 X 21 1/2 in.	29.7 ft ³	73 lb	\$ 602	\$ 702
141091-000-XXX	Apron - Non-removable solid apron kit Specify: Standard colors: White (002), Bone (004), Biscuit (007) Non-standard colors: Refer to color chart in this book.	N/A	0.1 ft ³	19 lb	\$ 247	\$ 297
141090-000-XXX	Apron - Removable solid apron kit Specify: Standard colors: White (002), Bone (004), Biscuit (007) Non-standard colors: Refer to color chart in this book.	N/A	3.52 ft ³	31 lb	\$ 316	\$ 366

HOMESTEAD WHIRLPOOL SYSTEM

No	Model	Approx. weight	Std Color(s)	Non-std Colors
141088-058-XXX	Bathtub with Homestead whirlpool w/air switch ¹ 141088-R-058-XXX Right-hand drain 141088-L-058-XXX Left-hand drain	73 lb	\$ 1,416	N/A

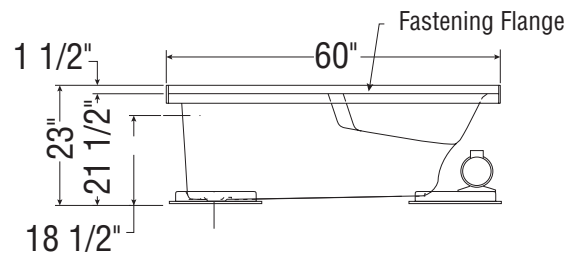
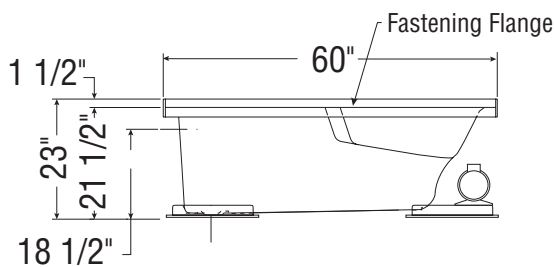
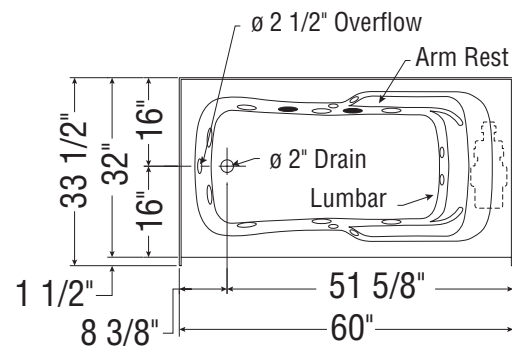
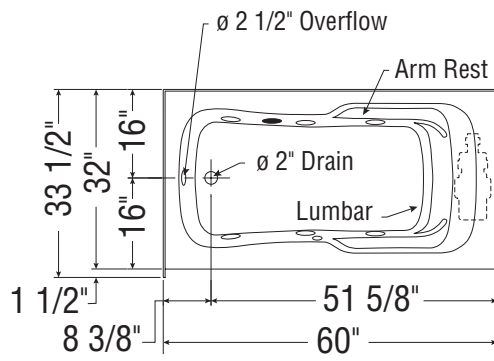
BODYWRAP WHIRLPOOL SYSTEM

No	Model	Approx. weight	Std Color(s)	Non-std Colors
141088-057-XXX	Bathtub with Bodywrap whirlpool w/micro switch ² 141088-R-057-XXX Right-hand drain 141088-L-057-XXX Left-hand drain	73 lb	\$ 1,810	\$ 1,910

COMMON OPTIONS

No	Description	Approx. weight	List Price
OPT10172	In-line heater (factory-installed)	N/A	\$ 426
OPT10174	Pump position opposite standard position ³	N/A	\$ 68
OPT10175-084	Designer grab bars Available color: Chrome (084)	N/A	\$ 260
OPT20139	Ozonator for Bodywrap whirlpool system	N/A	\$ 362
OPT20209-XXX	Trim kit for Bodywrap whirlpool (057) (factory installed) Available colors: Chrome (084), Polished Brass (085), Mixed Chrome and Polished Brass (164), Nickel (105)	N/A	No Charge

SBF-3260 (cont'd)



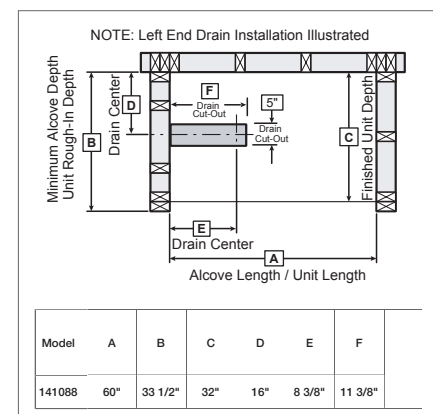
6-jet Homestead Collection SBF-3260
HMS (illustrated)

10-jet Bodywrap Collection SBF-3260
BWS (illustrated)

All dimensions are approximate. Structure measurements must be verified against the unit to ensure proper fit.

FOOTNOTES - BEFORE ORDERING, PLEASE SPECIFY:

1. Components for standard color bathtubs equipped with Homestead whirlpool are color-coordinated.
2. Components for standard color bathtubs equipped with Bodywrap whirlpool are color-coordinated. Trim kit with metallic finish can be added, please order OPT20209 and specify trim kit color.
3. The pump on opposite side of standard location will exceed the bathtub dimensions from 8 to 10 inches.



TOF-3060

59 3/4" x 29 7/8" x 17 1/2" - Gelcoat
 Water Capacity: Min: 22.7 gal. Max: 37.2 gal.

- 1 1/2" wrap around backsplash • Tile adaptor required for door installation
- Integrated apron and tiling flange
- 3 3/8 in. Above-the-Floor Rough available
- Textured floor • Right or left drain • Alcove installation
- 14 3/8" deep sump • Bottom bathing well : 44 1/8" L x 20" W

GELCOAT RECTANGULAR BATHTUBS



BATHTUB MODEL

No	Model	Dimensions	Pkg	Approx. weight	Std Color(s)	Non-std Colors
142008-000-XXX	Bathtub ¹ 142008-R-000-XXX Right-hand drain 142008-L-000-XXX Left-hand drain Specify: Standard colors: White (002), Bone (004), Biscuit (007) Non-standard colors: Refer to color chart in this book.	59 3/4 X 29 7/8 X 17 1/2 in.	28 ft ³	52 lb	\$ 504	\$ 554
142009-000-XXX	Bathtub AFR ¹ 142009-R-000-XXX Right-hand drain 142009-L-000-XXX Left-hand drain Specify: Standard colors: White (002), Bone (004), Biscuit (007) Non-standard colors: Refer to color chart in this book.	59 3/4 X 29 7/8 X 19 7/8 in.	28 ft ³	52 lb	\$ 504	\$ 554

HOMESTEAD WHIRLPOOL SYSTEM

No	Model	Approx. weight	Std Color(s)	Non-std Colors
142008-058-XXX	Bathtub with Homestead whirlpool w/air switch ² 142008-R-058-XXX Right-hand drain 142008-L-058-XXX Left-hand drain Specify: Standard colors: White (002), Bone (004), Biscuit (007)	52 lb	\$ 1,318	N/A
142009-058-XXX	Bathtub AFR with Homestead whirlpool w/air switch ² 142009-R-058-XXX Right-hand drain 142009-L-058-XXX Left-hand drain Specify: Standard colors: White (002), Bone (004), Biscuit (007)	52 lb	\$ 1,318	N/A

COMMON OPTIONS

No	Description	Approx. weight	List Price
OPT10172	In-line heater (factory-installed)	N/A	\$ 426
OPT10174	Pump position opposite standard position ³	N/A	\$ 68

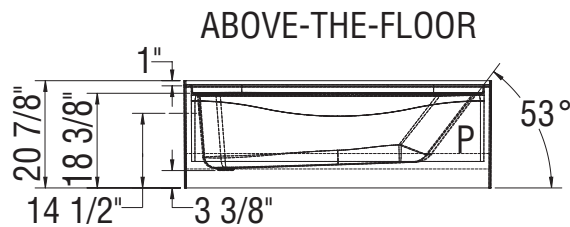
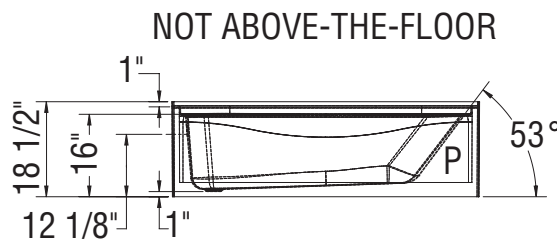
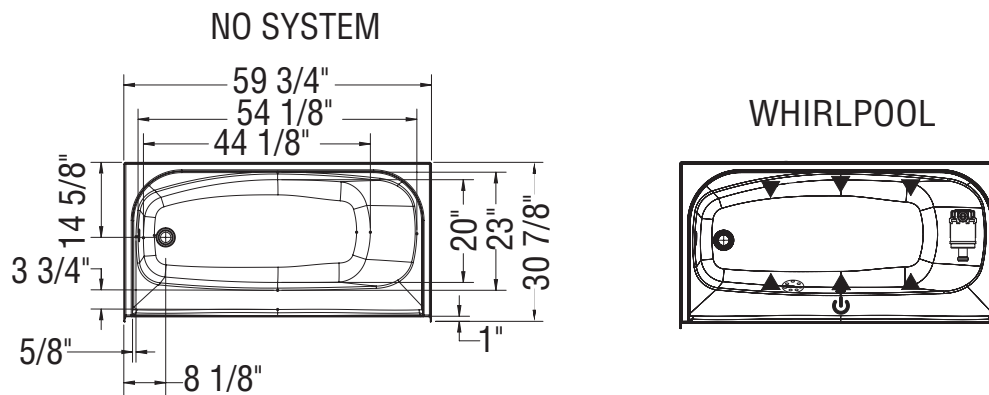
ACCESSORIES

No	Description	Approx. weight	List Price
10024636-XXX	Tile adaptor (for door installation) Available colors: White (002), Bone (004), Biscuit (007)	10 lb	\$ 117

DOORS RECOMMENDED WITH THIS PRODUCT. REFER TO MAAX DOOR PRICE BOOK

No	Description
138400-XXX-XXX	Triple Plus 3-panel 59 1/2 in.
105410-XXX-XXX	Polar 2-panel 54 - 59 1/2 in.
134561-XXX-XXX	Kameleon 6 mm 55 - 59 in.
134661-XXX-XXX	Kameleon Soft Close 6 mm 55 - 59 in.

TOF-3060 (cont'd)

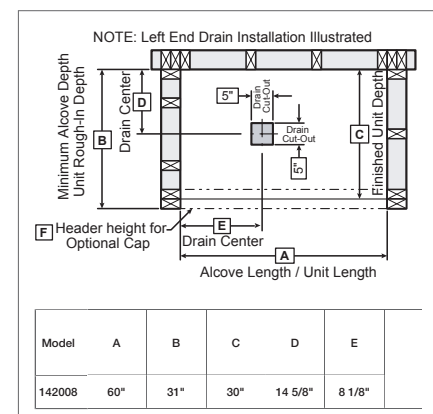


(▲): Indicates Whirlpool jets positioning
 (△): Indicates suction positioning

All dimensions are approximate. Structure measurements must be verified against the unit to ensure proper fit.

FOOTNOTES - BEFORE ORDERING, PLEASE SPECIFY:

1. Components for bathtubs equipped with Homestead whirlpool are color-coordinated.
2. Components for standard color bathtubs equipped with Homestead whirlpool are color-coordinated.
3. The pump on opposite side of standard location will exceed the bathtub dimensions from 8 to 10 inches.



TO-3060 (formerly TO-60)

60" x 30 1/2" x 16-17 3/4" - Gelcoat
Water Capacity: Max: 38 gal.

- Meets FHA accessibility requirements
- Integrated tiling flange
- 2 3/4 in. Above-the-Floor Rough available
- Textured floor • Right or left drain • Alcove installation
- 14 1/4" deep sump • Bottom bathing well : 45" L x 19 1/4" W

GELCOAT RECTANGULAR BATHTUBS



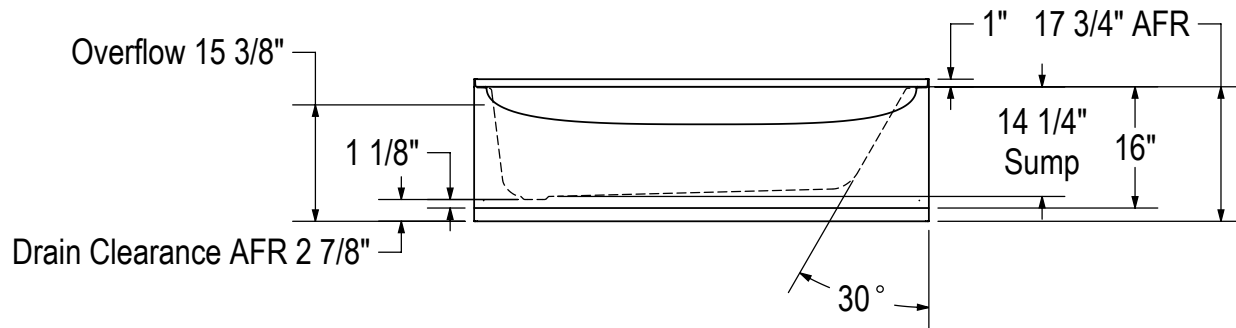
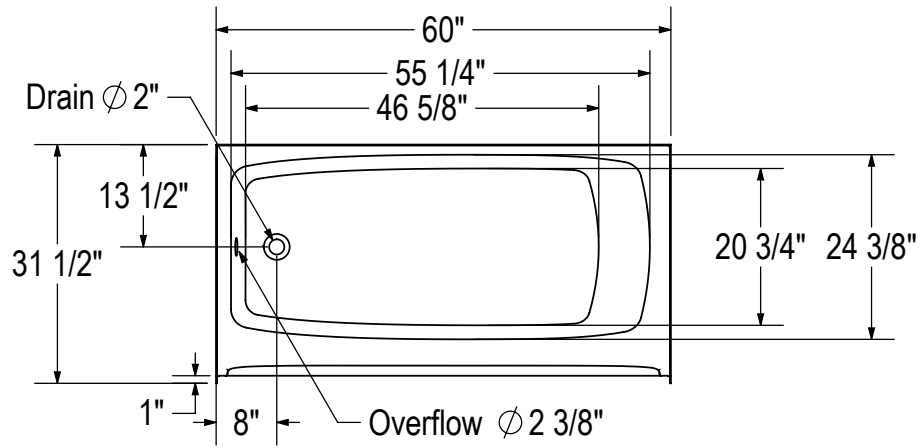
BATHTUB MODEL

No	Model	Dimensions	Pkg	Approx. weight	Std Color(s)	Non-std Colors
141078-000-XXX	Bathtub 141078-R-000-XXX Right-hand drain 141078-L-000-XXX Left-hand drain Specify: Standard colors: White (002), Bone (004), Biscuit (007) Non-standard colors: Refer to color chart in this book.	60 X 30 1/2 X 16-17 3/4 in.	20.5 ft ³	64 lb	\$ 345	\$ 445
	Bathtub AFR 141078-AFR/R-000-XXX Above-the-floor rough, right-hand drain 141078-AFR/L-000-XXX Above-the-floor rough, left-hand drain Specify: Standard colors: White (002), Bone (004), Biscuit (007) Non-standard colors: Refer to color chart in this book.					
141356-002-XXX	Job Pack of 12 Bathtubs 141356-R-002-XXX Right-hand drain 141356-L-002-XXX Left-hand drain Standard colors only Specify: Standard colors: White (002), Bone (004), Biscuit (007)	60 X 30 1/2 X 16-17 3/4 in.	246 ft ³	768 lb	\$ 3,996	N/A
	Job Pack of 12 AFR Bathtubs 141356-AFR/R-002-XXX Above-the-floor rough, right-hand drain 141356-AFR/L-002-XXX Above-the-floor rough, left-hand drain Standard colors only Specify: Standard colors: White (002), Bone (004), Biscuit (007)					

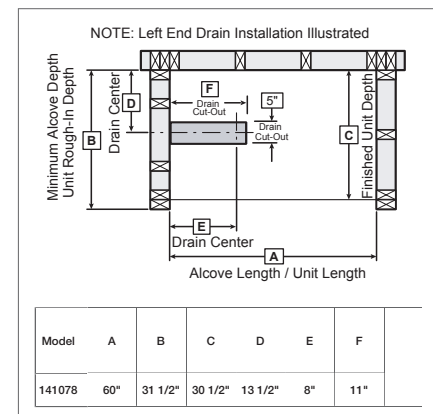
DOORS RECOMMENDED WITH THIS PRODUCT. REFER TO MAAX DOOR PRICE BOOK

No	Description
138400-XXX-XXX	Triple Plus 3-panel 59 1/2 in.
105410-XXX-XXX	Polar 2-panel 54 - 59 1/2 in.
134561-XXX-XXX	Kameleon 6 mm 55 - 59 in.
134661-XXX-XXX	Kameleon Soft Close 6 mm 55 - 59 in.

TO-3060 (formerly TO-60) (cont'd)



All dimensions are approximate. Structure measurements must be verified against the unit to ensure proper fit.



TOF-2954

53 7/8" x 29" x 17 1/2" - Gelcoat
Water Capacity: Max: 32.5 gal.

- 1 1/2" wrap around backsplash • Tile adaptor required for door installation
- Integrated apron and tiling flange
- 3 3/8 in. Above-the-Floor Rough available
- Textured floor • Right or left drain • Alcove installation
- 14 3/8" deep sump • Bottom bathing well : 37 7/8" L x 19 3/8" W

GELCOAT RECTANGULAR BATHTUBS



BATHTUB MODEL

No	Model	Dimensions	Pkg	Approx. weight	Std Color(s)	Non-std Colors
142002-000-XXX	Bathtub 142002-R-000-XXX Right-hand drain 142002-L-000-XXX Left-hand drain Specify: Standard colors: White (002), Bone (004), Biscuit (007) Non-standard colors: Refer to color chart in this book.	53 7/8 X 29 X 17 1/2 in.	28 ft ³	57 lb	\$ 465	\$ 515
142003-000-XXX	Bathtub AFR 142003-R-000-XXX Above-the-floor rough, right-hand drain 142003-L-000-XXX Above-the-floor rough, left-hand drain Specify: Standard colors: White (002), Bone (004), Biscuit (007) Non-standard colors: Refer to color chart in this book.	53 7/8 X 29 X 19 7/8 in.	28 ft ³	57 lb	\$ 465	\$ 515

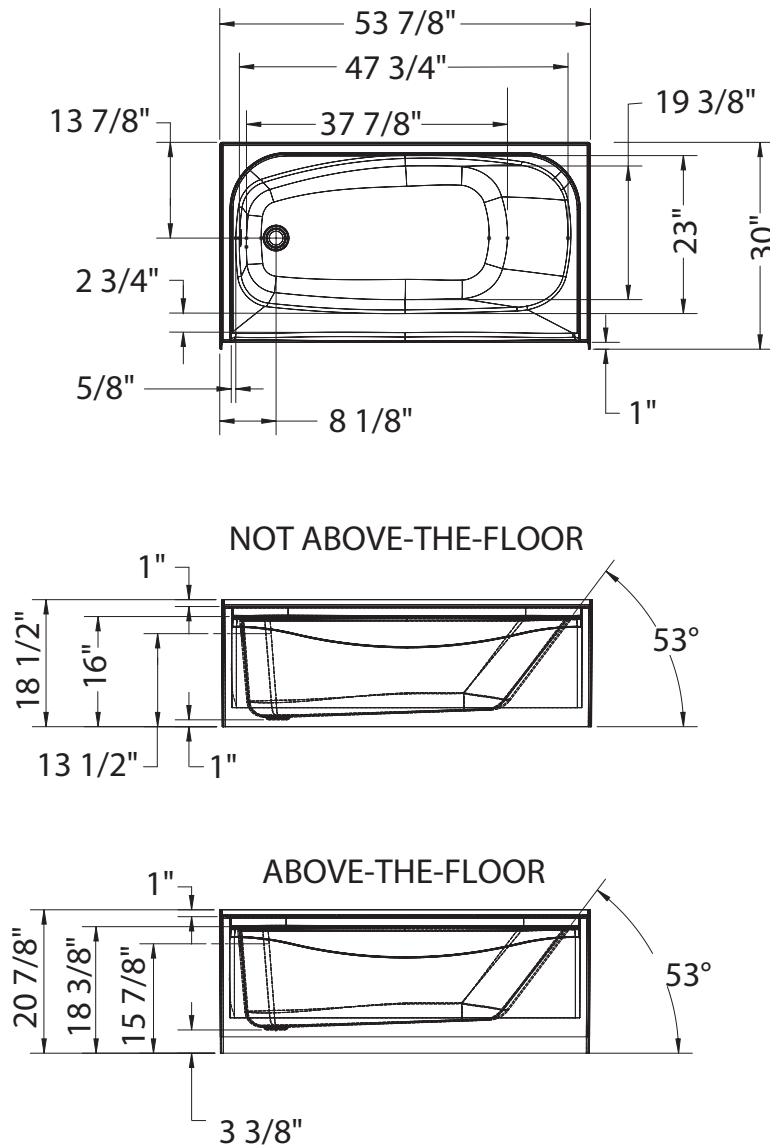
ACCESSORIES

No	Description	Approx. weight	List Price
10024636-XXX	Tile adaptor (for door installation) Available colors: White (002), Bone (004), Biscuit (007)	10 lb	\$ 117

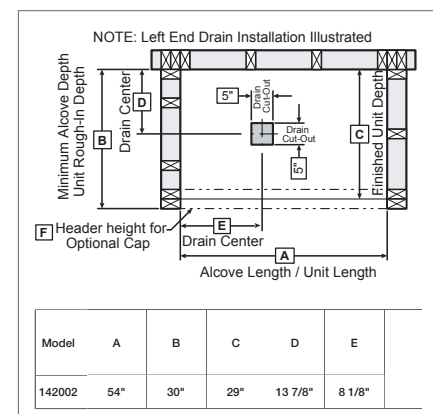
DOORS RECOMMENDED WITH THIS PRODUCT. REFER TO MAAX DOOR PRICE BOOK

No	Description
138308-XXX-XXX	Triple Plus 3-panel 55 in.
134560-XXX-XXX	Kameleon 6 mm 51-55 in.
134660-XXX-XXX	Kameleon Soft Close 6 mm 51 - 55 in.

TOF-2954 (cont'd)



All dimensions are approximate. Structure measurements must be verified against the unit to ensure proper fit.



TO-2954

54" x 29" x 16 - 17" - Gelcoat
Water Capacity: Max: 33 gal.

- Integrated tiling flange
- 2 in. Above-the-Floor Rough available
- Textured floor
- Right or left drain • Alcove installation
- 14 ¼" deep sump • Bottom bathing well : 40" L x 20 ½" W

GELCOAT RECTANGULAR BATHTUBS



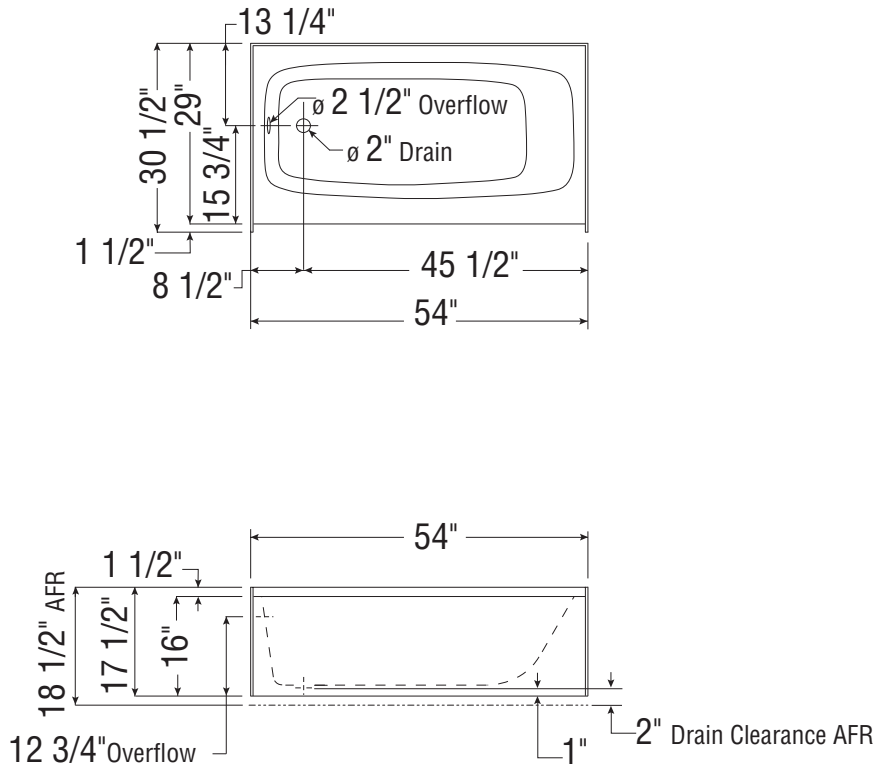
BATHTUB MODEL

No	Model	Dimensions	Pkg	Approx. weight	Std Color(s)	Non-std Colors
141077-000-XXX	Bathtub 141077-R-000-XXX Right-hand drain 141077-L-000-XXX Left-hand drain Specify: Standard colors: White (002), Bone (004), Biscuit (007) Non-standard colors: Refer to color chart in this book.	54 X 29 X 16 - 17 in.	26.6 ft ³	57 lb	\$ 343	\$ 443
141077-000-XXX	Bathtub AFR 141077-AFR/R-000-XXX Above-the-floor rough, right-hand drain 141077-AFR/L-000-XXX Above-the-floor rough, left-hand drain Specify: Standard colors: White (002), Bone (004), Biscuit (007) Non-standard colors: Refer to color chart in this book.	54 X 29 X 16 - 17 in.	26.6 ft ³	57 lb	\$ 343	\$ 443
141363-002-XXX	Job Pack of 12 Bathtubs 141363-R-002-XXX Right-hand drain 141363-L-002-XXX Left-hand drain Standard colors only Specify: Standard colors: White (002), Bone (004), Biscuit (007)	54 X 29 X 16-17 in.	319 ft ³	684 lb	\$ 3,984	N/A
141363-002-XXX	Job Pack of 12 AFR Bathtubs 141363-AFR/R-002-XXX Above-the-floor rough, right-hand drain 141363-AFR/L-002-XXX Above-the-floor rough, left-hand drain Standard colors only Specify: Standard colors: White (002), Bone (004), Biscuit (007)	54 X 29 X 16-17 in.	319 ft ³	684 lb	\$ 3,984	N/A

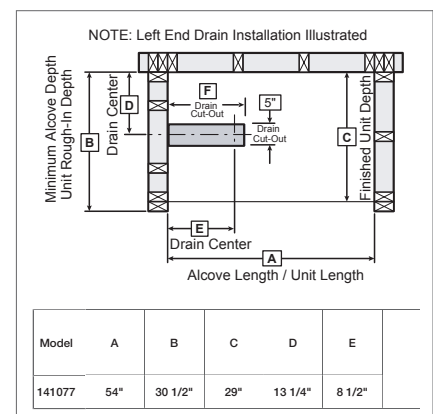
DOORS RECOMMENDED WITH THIS PRODUCT. REFER TO MAAX DOOR PRICE BOOK

No	Description
138308-XXX-XXX	Triple Plus 3-panel 55 in.
134560-XXX-XXX	Kameleon 6 mm 51-55 in.
134660-XXX-XXX	Kameleon Soft Close 6 mm 51 - 55 in.

TO-2954 (cont'd)



All dimensions are approximate. Structure measurements must be verified against the unit to ensure proper fit.



OV-4272

72" x 42" x 21 1/2" - Gelcoat
Water Capacity: Min: 61 gal. Max: 89 gal.



- Deep and spacious bathing well
- Deck for faucet
- Textured floor
- End drain • Drop-in installation
- 20 1/2" deep sump • Bottom bathing well : 47 1/2" L x 27 1/2" W



GELCOAT OVAL BATHTUBS

BATHTUB MODEL

No	Model	Dimensions	Pkg	Approx. weight	Std Color(s)	Non-std Colors
141114-000-XXX	Bathtub 141114-000-XXX End drain Specify: Standard colors: White (002), Bone (004), Biscuit (007) Non-standard colors: Refer to color chart in this book.	72 X 42 X 21 1/2 in.	46.1 ft ³	91 lb	\$ 885	\$ 985
141093-000-XXX	Apron - Removable solid apron kit Specify: Standard colors: White (002), Bone (004), Biscuit (007) Non-standard colors: Refer to color chart in this book.	N/A	3.93 ft ³	35 lb	\$ 345	\$ 395
141094-000-XXX	Apron - Non-removable solid apron kit Specify: Standard colors: White (002), Bone (004), Biscuit (007) Non-standard colors: Refer to color chart in this book.	N/A	0.1 ft ³	22 lb	\$ 274	\$ 324

HOMESTEAD WHIRLPOOL SYSTEM

No	Model	Approx. weight	Std Color(s)	Non-std Colors
141114-058-XXX	Bathtub with Homestead whirlpool w/air switch ¹ 141114-058-XXX End drain	91 lb	\$ 1,699	N/A

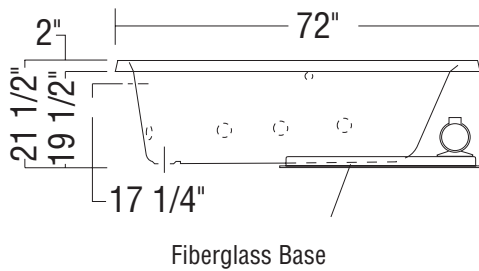
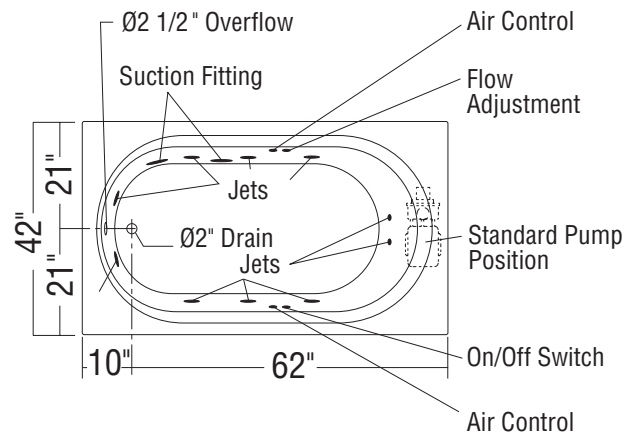
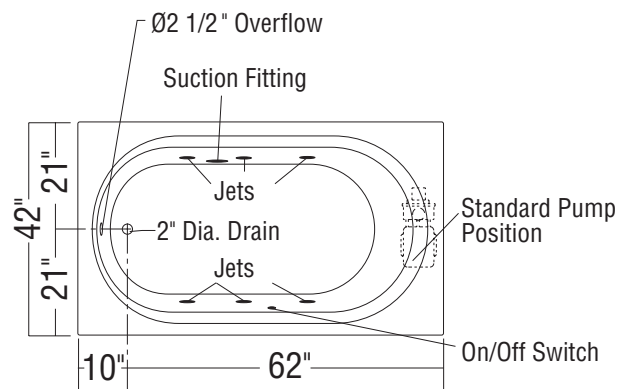
BODYWRAP WHIRLPOOL SYSTEM

No	Model	Approx. weight	Std Color(s)	Non-std Colors
141114-057-XXX	Bathtub with Bodywrap whirlpool w/micro switch ² 141114-057-XXX End drain	91 lb	\$ 2,093	\$ 2,193

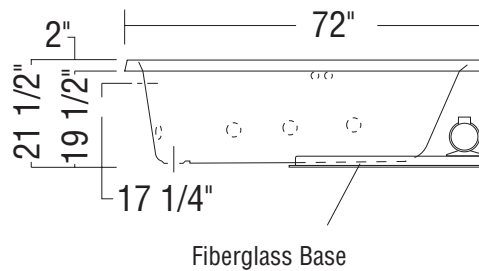
COMMON OPTIONS

No	Description	Approx. weight	List Price
OPT10172	In-line heater (factory-installed)	N/A	\$ 426
OPT10174	Pump position opposite standard position ³	N/A	\$ 68
OPT10175-084	Designer grab bars Available color: Chrome (084)	N/A	\$ 260
OPT20139	Ozonator for Bodywrap whirlpool system	N/A	\$ 362
OPT20209-XXX	Trim kit for Bodywrap whirlpool (057) (factory installed) Available colors: Chrome (084), Polished Brass (085), Mixed Chrome and Polished Brass (164), Nickel (105)	N/A	No Charge

OV-4272 (cont'd)



6-jet Homestead Collection ACOV-4272
HMS (illustrated)



10-jet Bodywrap System ACOV-4272
BWS (illustrated)

All dimensions are approximate. Structure measurements must be verified against the unit to ensure proper fit.

FOOTNOTES - BEFORE ORDERING, PLEASE SPECIFY:

1. Components for standard color bathtubs equipped with Homestead whirlpool are color-coordinated.
2. Components for standard color bathtubs equipped with Bodywrap whirlpool are color-coordinated. Trim kit with metallic finish can be added, please order OPT20209 and specify trim kit color.
3. The pump on opposite side of standard location will exceed the bathtub dimensions from 8 to 10 inches.



SBOO-4272

72" x 41" x 22 1/2" - Gelcoat
Water Capacity: Min: 57 gal. Max: 89 gal.



- Armrests at each tub end
- Raised headrests
- Symmetrical backrests with lumbar supports
- Deep bathing well
- Textured floor
- Deck for faucet
- Center drain
- Drop-in installation
- 20 1/2" deep sump
- Bottom bathing well : 38 1/2" L x 26 1/2" W



BATHTUB MODEL

No	Model	Dimensions	Pkg	Approx. weight	Std Color(s)	Non-std Colors
141110-000-XXX	Bathtub 141110-000-XXX Center drain Specify: Standard colors: White (002), Bone (004), Biscuit (007) Non-standard colors: Refer to color chart in this book.	72 X 41 X 22 1/2 in.	46.9 ft ³	92 lb	\$ 925	\$ 1,025

BODYWRAP WHIRLPOOL SYSTEM

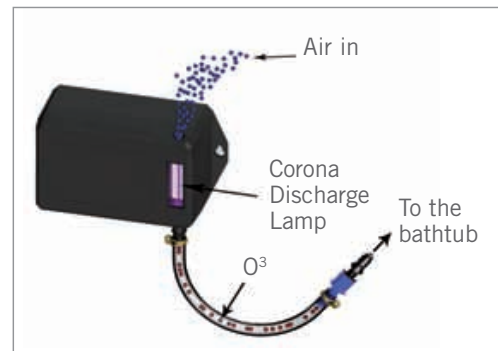
No	Model	Approx. weight	Std Color(s)	Non-std Colors
141110-057-XXX	Bathtub with Bodywrap whirlpool w/micro switch ¹	92 lb	\$ 2,133	\$ 2,233

COMMON OPTIONS

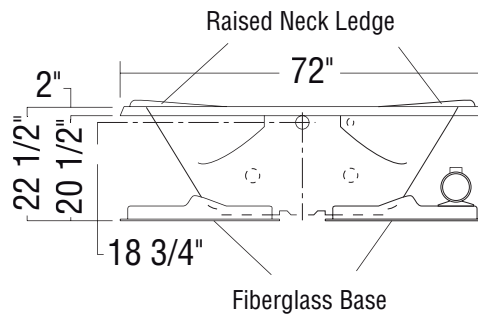
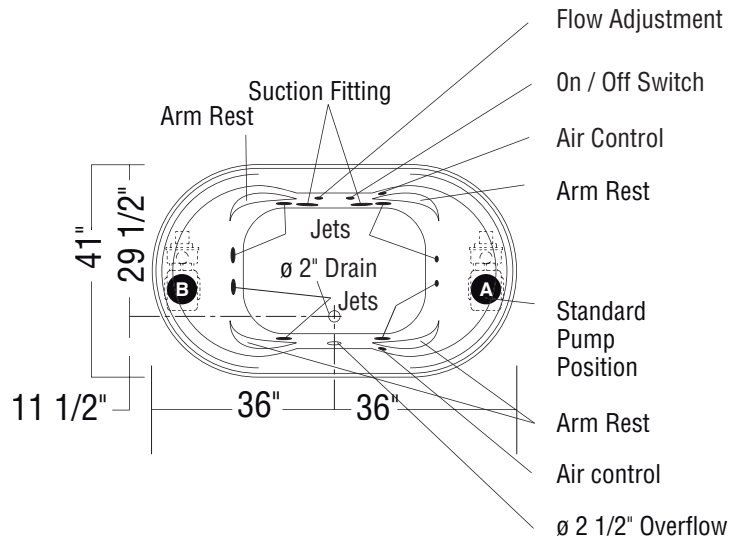
No	Description	Approx. weight	List Price
OPT10172	In-line heater (factory-installed)	N/A	\$ 426
OPT10174	Pump position opposite standard position	N/A	\$ 68
OPT20139	Ozonator for Bodywrap whirlpool system	N/A	\$ 362
OPT20209-XXX	Trim kit for Bodywrap whirlpool (057) (factory installed) Available colors: Chrome (084), Polished Brass (085), Mixed Chrome and Polished Brass (164), Nickel (105)	N/A	No Charge

PURIFY THE AIR AND WATER FROM THEIR TOXINS

O₃ AKER now offers the [Ozonator for Whirlpool System](#) in keeping with its promise to design innovative customer solution. This technology neutralizes unhealthy micro-organisms like bacteria and mold, thus making the bathing experience safe and fresh.



SBOO-4272 (cont'd)



8-jet Bodywrap System SBOO-4272 / BWS (illustrated)

All dimensions are approximate. Structure measurements must be verified against the unit to ensure proper fit.

FOOTNOTES - BEFORE ORDERING, PLEASE SPECIFY:

1. Components for standard color bathtubs equipped with Bodywrap whirlpool are color-coordinated. Trim kit with metallic finish can be added, please order OPT20209 and specify trim kit color.



OV-4260

60" x 42" x 21 1/2" - Gelcoat

Water Capacity: Min: 45 gal. Max: 71 gal.



- Spacious bathing well
- Deck for faucet
- Textured floor
- End drain • Drop-in installation
- 20 1/4" deep sump • Bottom bathing well : 42" L x 26 1/2" W



BATHTUB MODEL

No	Model	Dimensions	Pkg	Approx. weight	Std Color(s)	Non-std Colors
141112-000-XXX	Bathtub 141112-000-XXX End drain Specify: Standard colors: White (002), Bone (004), Biscuit (007) Non-standard colors: Refer to color chart in this book.	60 X 42 X 21 1/2 in.	38 ft ³	85 lb	\$ 709	\$ 809
141091-000-XXX	Apron - Non-removable solid apron kit Specify: Standard colors: White (002), Bone (004), Biscuit (007) Non-standard colors: Refer to color chart in this book.	N/A	0.1 ft ³	19 lb	\$ 247	\$ 297
141090-000-XXX	Apron - Removable solid apron kit Specify: Standard colors: White (002), Bone (004), Biscuit (007) Non-standard colors: Refer to color chart in this book.	N/A	3.52 ft ³	31 lb	\$ 316	\$ 366

HOMESTEAD WHIRLPOOL SYSTEM

No	Model	Approx. weight	Std Color(s)	Non-std Colors
141112-058-XXX	Bathtub with Homestead whirlpool w/air switch ¹ 141112-058-XXX End drain	85 lb	\$ 1,523	N/A

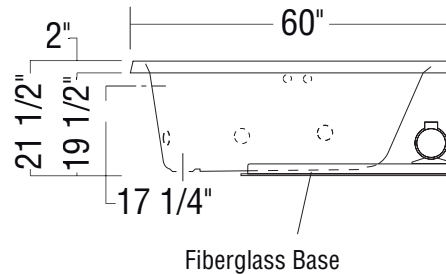
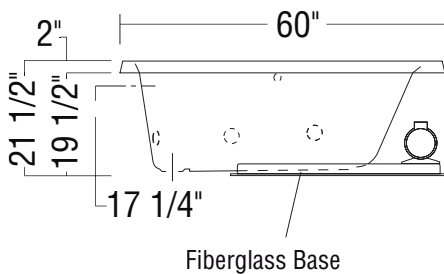
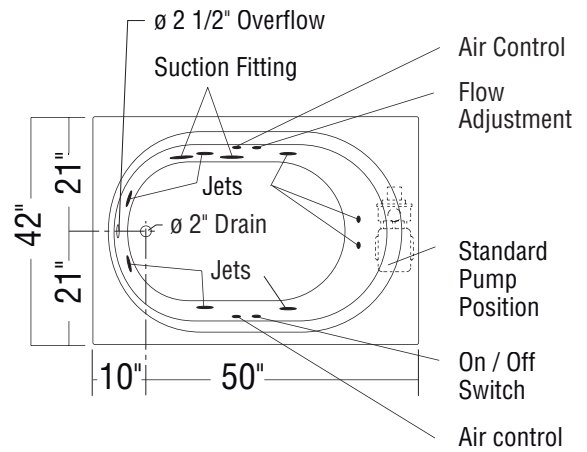
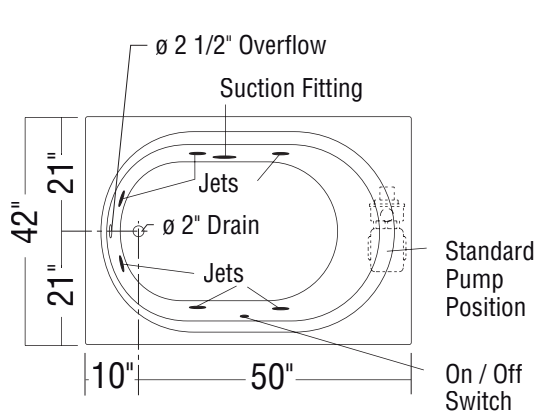
BODYWRAP WHIRLPOOL SYSTEM

No	Model	Approx. weight	Std Color(s)	Non-std Colors
141112-057-XXX	Bathtub with Bodywrap whirlpool w/micro switch ² 141112-057-XXX End drain	85 lb	\$ 1,917	\$ 2,017

COMMON OPTIONS

No	Description	Approx. weight	List Price
OPT10172	In-line heater (factory-installed)	N/A	\$ 426
OPT10174	Pump position opposite standard position ³	N/A	\$ 68
OPT20139	Ozonator for Bodywrap whirlpool system	N/A	\$ 362
OPT20209-XXX	Trim kit for Bodywrap whirlpool (057) (factory installed) Available colors: Chrome (084), Polished Brass (085), Mixed Chrome and Polished Brass (164), Nickel (105)	N/A	No Charge

OV-4260 (cont'd)



6-jet Homestead Collection OV-4260
HMS (illustrated)

8-jet Bodywrap System OV-4260
BWS (illustrated)

All dimensions are approximate. Structure measurements must be verified against the unit to ensure proper fit.

FOOTNOTES - BEFORE ORDERING, PLEASE SPECIFY:

1. Components for standard color bathtubs equipped with Homestead whirlpool are color-coordinated.
2. Components for standard color bathtubs equipped with Bodywrap whirlpool are color-coordinated. Trim kit with metallic finish can be added, please order OPT20209 and specify trim kit color.
3. The pump on opposite side of standard location will exceed the bathtub dimensions from 8 to 10 inches.



OVA-4260

60" x 42" x 21" - Gelcoat
Water Capacity: Min: 45 gal. Max: 71 gal.



- Spacious bathing well
- Integrated apron & tiling flange
- Backrest with lumbar support • Deck for faucet
- Textured floor • Right or left drain • Alcove installation
- 20 1/4" deep sump • Bottom bathing well : 42" L x 26 1/2" W



BATHTUB MODEL

No	Model	Dimensions	Pkg	Approx. weight	Std Color(s)	Non-std Colors
141081-000-XXX	Bathtub 141081-R-000-XXX Right-hand drain 141081-L-000-XXX Left-hand drain Specify: Standard colors: White (002), Bone (004), Biscuit (007) Non-standard colors: Refer to color chart in this book.	60 X 42 X 21 in.	35.2 ft ³	92 lb	\$ 709	\$ 809

HOMESTEAD WHIRLPOOL SYSTEM

No	Model	Approx. weight	Std Color(s)	Non-std Colors
141081-058-XXX	Bathtub with Homestead whirlpool w/air switch ¹ 141081-R-058-XXX Right-hand drain 141081-L-058-XXX Left-hand drain	92 lb	\$ 1,523	N/A

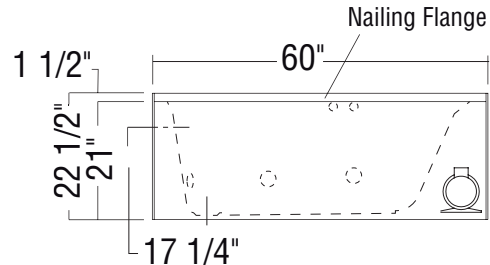
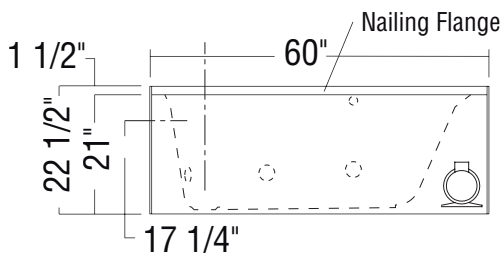
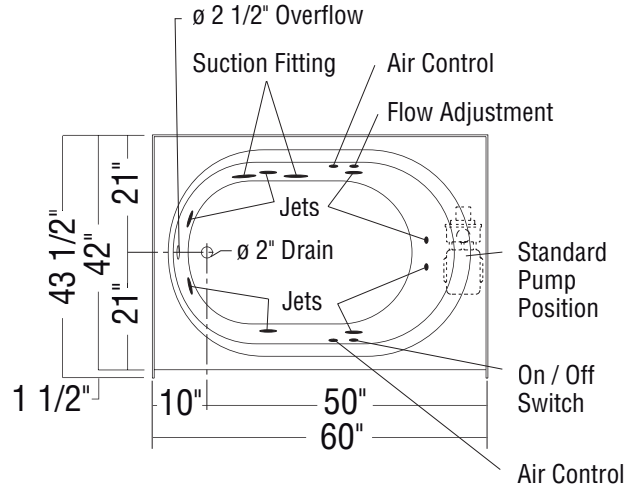
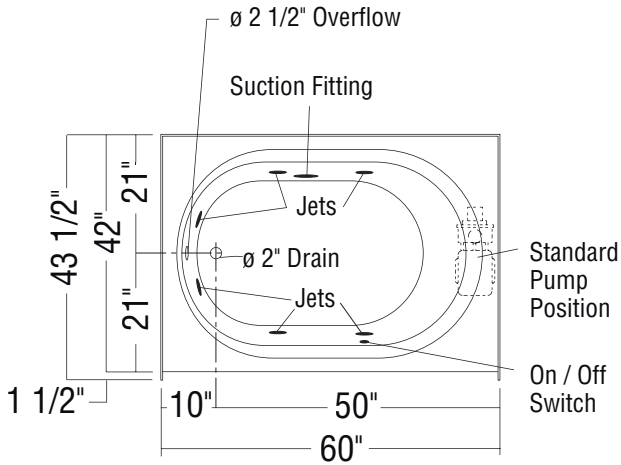
BODYWRAP WHIRLPOOL SYSTEM

No	Model	Approx. weight	Std Color(s)	Non-std Colors
141081-057-XXX	Bathtub with Bodywrap whirlpool w/micro switch ² 141081-R-057-XXX Right-hand drain 141081-L-057-XXX Left-hand drain	92 lb	\$ 1,917	\$ 2,017

COMMON OPTIONS

No	Description	Approx. weight	List Price
OPT10172	In-line heater (factory-installed)	N/A	\$ 426
OPT10174	Pump position opposite standard position ³	N/A	\$ 68
OPT20139	Ozonator for Bodywrap whirlpool system	N/A	\$ 362
OPT20209-XXX	Trim kit for Bodywrap whirlpool (057) (factory installed) Available colors: Chrome (084), Polished Brass (085), Mixed Chrome and Polished Brass (164), Nickel (105)	N/A	No Charge

OVA-4260 (cont'd)



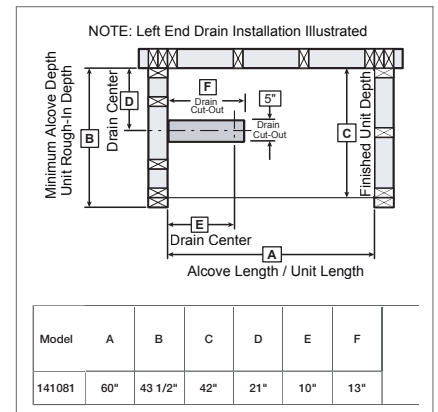
6-jet Homestead Collection OVA-4260L
HMS (illustrated)

8-jet Bodywrap System OVA-4260L
BWS (illustrated)

All dimensions are approximate. Structure measurements must be verified against the unit to ensure proper fit.

FOOTNOTES - BEFORE ORDERING, PLEASE SPECIFY:

1. Components for standard color bathtubs equipped with Homestead whirlpool are color-coordinated.
2. Components for standard color bathtubs equipped with Bodywrap whirlpool are color-coordinated. Trim kit with metallic finish can be added, please order OPT20209 and specify trim kit color.
3. The pump on opposite side of standard location will exceed the bathtub dimensions from 8 to 10 inches.



OVF-4260

60" x 42" x 21" - Gelcoat

Water Capacity: Min: 45 gal. Max: 71 gal.



- Spacious bathing well
- Integrated tiling flange
- Backrest with lumbar support • Deck for faucet
- Textured floor • Right or left drain • Alcove installation
- 20 ¼" deep sump • Bottom bathing well : 42" L x 26 ½" W



BATHTUB MODEL

No	Model	Dimensions	Pkg	Approx. weight	Std Color(s)	Non-std Colors
141095-000-XXX	Bathtub 141095-R-000-XXX Right-hand drain 141095-L-000-XXX Left-hand drain Specify: Standard colors: White (002), Bone (004), Biscuit (007) Non-standard colors: Refer to color chart in this book.	60 X 42 X 21 in.	37.6 ft ³	85 lb	\$ 709	\$ 809
141091-000-XXX	Apron - Non-removable solid apron kit Specify: Standard colors: White (002), Bone (004), Biscuit (007) Non-standard colors: Refer to color chart in this book.	N/A	0.1 ft ³	19 lb	\$ 247	\$ 297
141090-000-XXX	Apron - Removable solid apron kit Specify: Standard colors: White (002), Bone (004), Biscuit (007) Non-standard colors: Refer to color chart in this book.	N/A	3.52 ft ³	31 lb	\$ 316	\$ 366

HOMESTEAD WHIRLPOOL SYSTEM

No	Model	Approx. weight	Std Color(s)	Non-std Colors
141095-058-XXX	Bathtub with Homestead whirlpool w/air switch ¹ 141095-R-058-XXX Right-hand drain 141095-L-058-XXX Left-hand drain	85 lb	\$ 1,523	N/A

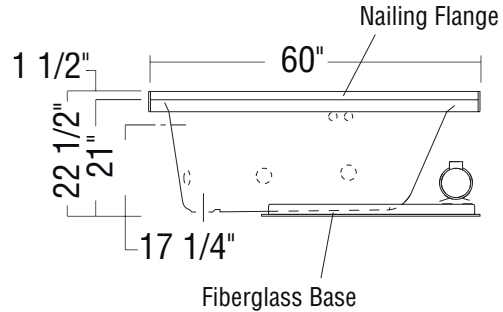
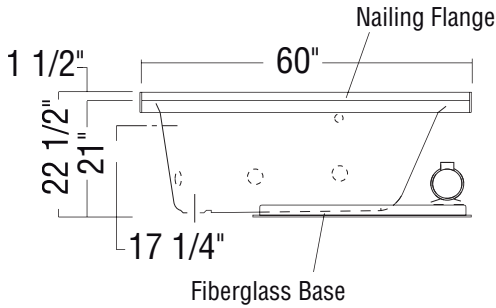
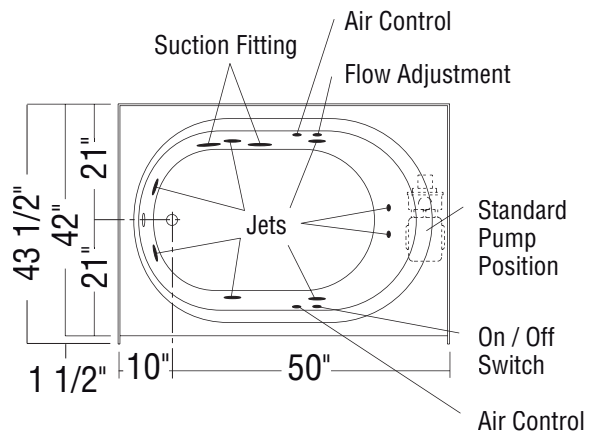
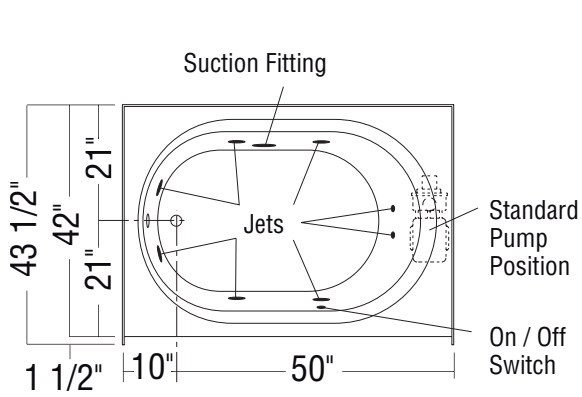
BODYWRAP WHIRLPOOL SYSTEM

No	Model	Approx. weight	Std Color(s)	Non-std Colors
141095-057-XXX	Bathtub with Bodywrap whirlpool w/micro switch ² 141095-R-057-XXX Right-hand drain 141095-L-057-XXX Left-hand drain	85 lb	\$ 1,917	\$ 2,017

COMMON OPTIONS

No	Description	Approx. weight	List Price
OPT10172	In-line heater (factory-installed)	N/A	\$ 426
OPT10174	Pump position opposite standard position ³	N/A	\$ 68
OPT20139	Ozonator for Bodywrap whirlpool system	N/A	\$ 362
OPT20209-XXX	Trim kit for Bodywrap whirlpool (057) (factory installed) Available colors: Chrome (084), Polished Brass (085), Mixed Chrome and Polished Brass (164), Nickel (105)	N/A	No Charge

OVF-4260 (cont'd)



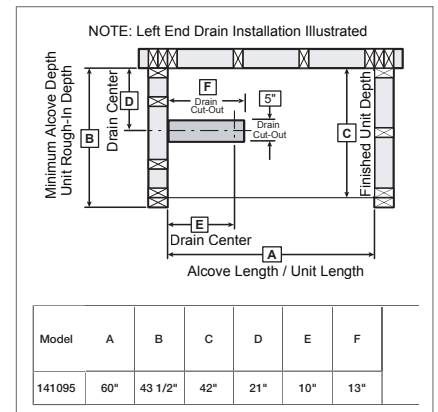
6-jet Homestead Collection OVF-4260
HMS (illustrated)

8-jet Bodywrap System OVF-4260
BWS (illustrated)

All dimensions are approximate. Structure measurements must be verified against the unit to ensure proper fit.

FOOTNOTES - BEFORE ORDERING, PLEASE SPECIFY:

1. Components for standard color bathtubs equipped with Homestead whirlpool are color-coordinated.
2. Components for standard color bathtubs equipped with Bodywrap whirlpool are color-coordinated. Trim kit with metallic finish can be added, please order OPT20209 and specify trim kit color.
3. The pump on opposite side of standard location will exceed the bathtub dimensions from 8 to 10 inches.



GT-6060AP

59" x 59" x 24" - Gelcoat
Water Capacity: Max: 100 gal.



- Spacious bathing well
- Integrated tiling flange
- Armrests • Deck for faucet • Center drain
- Integrated apron with large access panel • Textured floor
- 18 1/2" deep sump • Bottom bathing well : 48" L x 35" W



BATHTUB MODEL

No	Model	Dimensions	Pkg	Approx. weight	Std Color(s)	Non-std Colors
141121-000-XXX	Bathtub 141121-000-XXX Center drain Specify: Standard colors: White (002), Bone (004), Biscuit (007) Non-standard colors: Refer to color chart in this book.	59 X 59 X 24 in.	52.1 ft ³	210 lb	\$ 912	\$ 1,112

HOMESTEAD WHIRLPOOL SYSTEM

No	Model	Approx. weight	Std Color(s)	Non-std Colors
141121-058-XXX	Bathtub with Homestead whirlpool w/air switch ¹ 141121-058-XXX Center drain	210 lb	\$ 1,726	N/A

COMMON OPTIONS

No	Description	Approx. weight	List Price
OPT10172	In-line heater (factory-installed)	N/A	\$ 426
OPT10174	Pump position opposite standard position	N/A	\$ 68

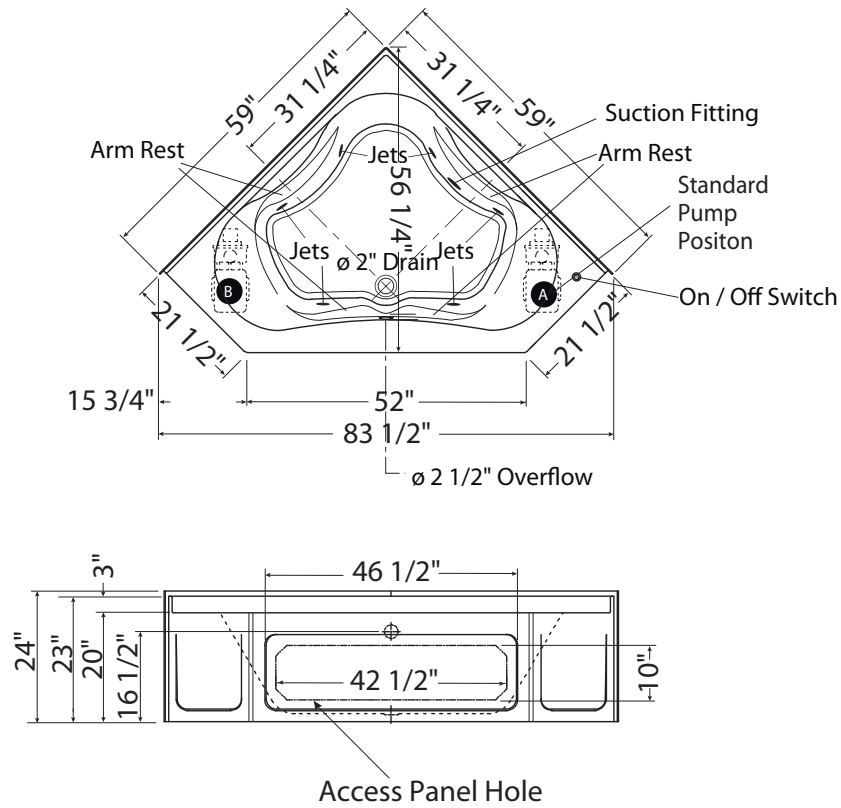
HASSLE-FREE HYDROTHERAPY



AKER [Homestead whirlpool system](#) features up to 8 fully independent jets that can be adjusted directionally and for flow, giving bathers complete control of the intensity and location for a superior massage experience with the ultimate ease.



GT-6060AP (cont'd)

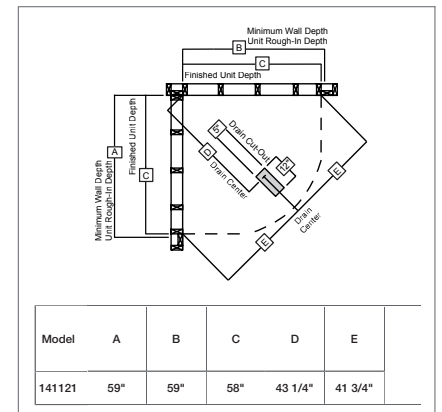


6-jet Homestead System GT-6060AP / HMS (illustrated)

All dimensions are approximate. Structure measurements must be verified against the unit to ensure proper fit.

FOOTNOTES - BEFORE ORDERING, PLEASE SPECIFY:

1. Components for standard color bathtubs equipped with Homestead whirlpool are color-coordinated.



CT-6060

59" x 59" x 21 1/2" - Gelcoat

Water Capacity: Min: 44 gal. Max: 88 gal.



- Symmetrical backrests with lumbar supports
- Armrests • Deck for faucet
- Integrated seat • Textured floor
- Center drain • Drop-in installation
- 19 3/4" deep sump • Bottom bathing well : 46 1/4" L x 27 1/4" W



BATHTUB MODEL

No	Model	Dimensions	Pkg	Approx. weight	Std Color(s)	Non-std Colors
141118-000-XXX	Bathtub 141118-000-XXX Center drain Specify: Standard colors: White (002), Bone (004), Biscuit (007) Non-standard colors: Refer to color chart in this book.	59 X 59 X 21 1/2 in.	51.7 ft ³	98 lb	\$ 835	\$ 1,035

HOMESTEAD WHIRLPOOL SYSTEM

No	Model	Approx. weight	Std Color(s)	Non-std Colors
141118-058-XXX	Bathtub with Homestead whirlpool w/air switch ¹ 141118-058-XXX Center drain	98 lb	\$ 1,649	N/A

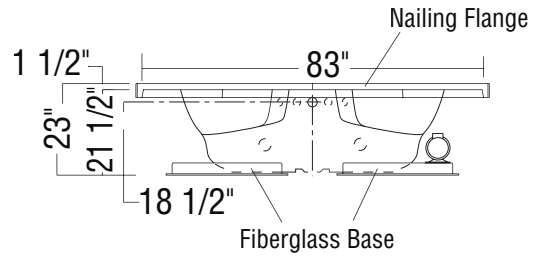
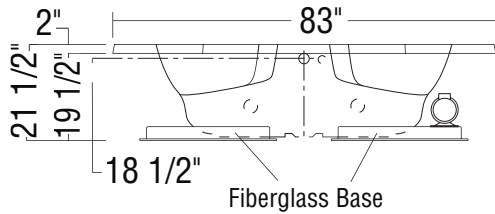
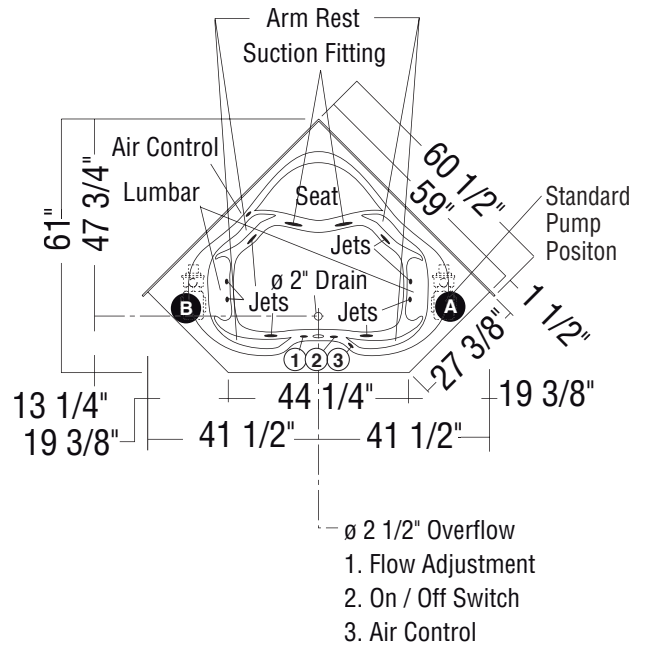
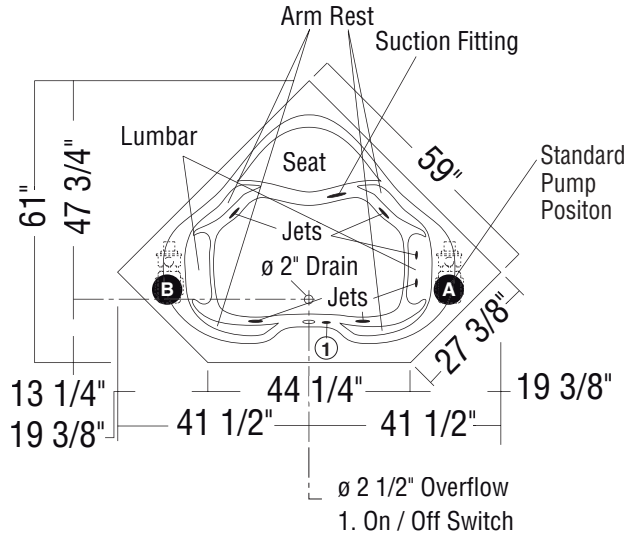
BODYWRAP WHIRLPOOL SYSTEM

No	Model	Approx. weight	Std Color(s)	Non-std Colors
141118-057-XXX	Bathtub with Bodywrap whirlpool w/micro switch ² 141118-057-XXX Center drain	98 lb	\$ 2,043	\$ 2,243

COMMON OPTIONS

No	Description	Approx. weight	List Price
OPT10172	In-line heater (factory-installed)	N/A	\$ 426
OPT10174	Pump position opposite standard position	N/A	\$ 68
OPT20139	Ozonator for Bodywrap whirlpool system	N/A	\$ 362
OPT20209-XXX	Trim kit for Bodywrap whirlpool (057) (factory installed) Available colors: Chrome (084), Polished Brass (085), Mixed Chrome and Polished Brass (164), Nickel (105)	N/A	No Charge

CT-6060 (cont'd)



6-jet Homestead Collection CT-6060
HMS (illustrated)

8-jet Bodywrap System CT-6060
BWS (illustrated)

All dimensions are approximate. Structure measurements must be verified against the unit to ensure proper fit.

FOOTNOTES - BEFORE ORDERING, PLEASE SPECIFY:

1. Components for standard color bathtubs equipped with Homestead whirlpool are color-coordinated.
2. Components for standard color bathtubs equipped with bodywrap whirlpool are color-coordinated. Trim kit with metallic finish can be added, please order opt-20209 and specify trim kit color.



CT2-6060

59" x 59" x 21 1/2" - Gelcoat

Water Capacity: Min: 74 gal. Max: 100 gal.



- Spacious bathing well
- 2 backrests with lumbar support
- Armrests • Deck for faucet
- Textured floor • Center drain • Drop-in installation
- 19 3/4" deep sump • Bottom bathing well : 57" L x 40" W



BATHTUB MODEL

No	Model	Dimensions	Pkg	Approx. weight	Std Color(s)	Non-std Colors
141120-000-XXX	Bathtub 141120-000-XXX Center drain Specify: Standard colors: White (002), Bone (004), Biscuit (007) Non-standard colors: Refer to color chart in this book.	59 X 59 X 21 1/2 in.	51.7 ft ³	101 lb	\$ 838	\$ 1,038

HOMESTEAD WHIRLPOOL SYSTEM

No	Model	Approx. weight	Std Color(s)	Non-std Colors
141120-058-XXX	Bathtub with Homestead whirlpool w/air switch ¹ 141120-058-XXX Center drain	101 lb	\$ 1,652	N/A

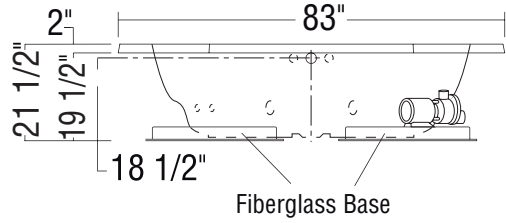
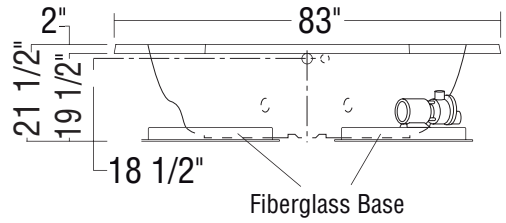
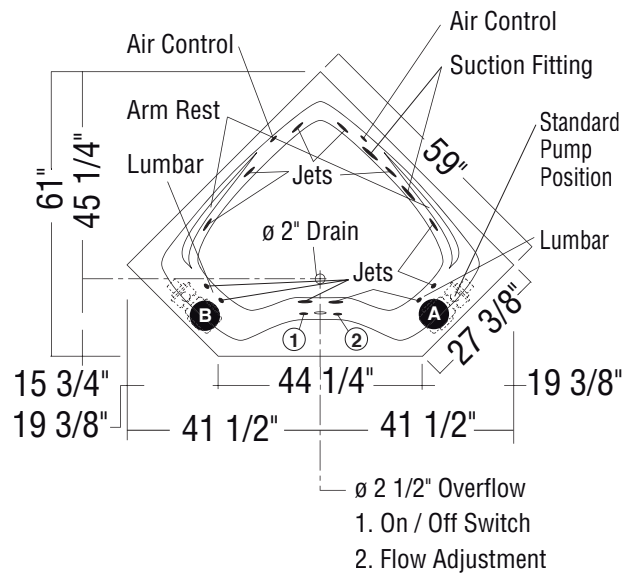
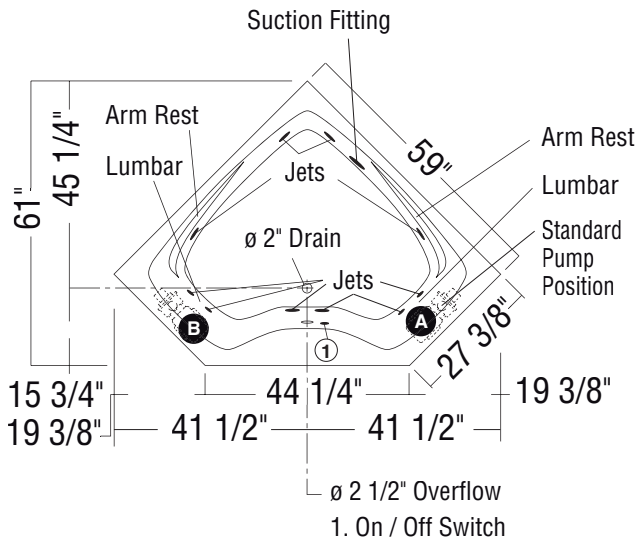
BODYWRAP WHIRLPOOL SYSTEM

No	Model	Approx. weight	Std Color(s)	Non-std Colors
141120-057-XXX	Bathtub with Bodywrap whirlpool w/micro switch ² 141120-057-XXX Center drain	101 lb	\$ 2,046	\$ 2,246

COMMON OPTIONS

No	Description	Approx. weight	List Price
OPT10172	In-line heater (factory-installed)	N/A	\$ 426
OPT10174	Pump position opposite standard position	N/A	\$ 68
OPT20139	Ozonator for Bodywrap whirlpool system	N/A	\$ 362
OPT20209-XXX	Trim kit for Bodywrap whirlpool (057) (factory installed) Available colors: Chrome (084), Polished Brass (085), Mixed Chrome and Polished Brass (164), Nickel (105)	N/A	No Charge

CT2-6060 (cont'd)



10-jet Homestead Collection CT2-6060 BWS (illustrated)

12-jet Bodywrap System CT2-6060 BWS (illustrated)

All dimensions are approximate. Structure measurements must be verified against the unit to ensure proper fit.

FOOTNOTES - BEFORE ORDERING, PLEASE SPECIFY:

1. Components for standard color bathtubs equipped with Homestead whirlpool are color-coordinated.
2. Components for standard color bathtubs equipped with bodywrap whirlpool are color-coordinated. Trim kit with metallic finish can be added, please order opt-20209 and specify trim kit color.



CTF-6060

59" x 59" x 21 1/2" - Gelcoat
Water Capacity: Min: 44 gal. Max: 88 gal.



- Symmetrical backrests with lumbar supports
- Armrests • Deck for faucet
- Integrated tiling flange & seat
- Textured floor • Center drain
- 19 3/4" deep sump • Bottom bathing well : 46 1/4" L x 27 1/4" W



BATHTUB MODEL

No	Model	Dimensions	Pkg	Approx. weight	Std Color(s)	Non-std Colors
141096-000-XXX	Bathtub 141096-000-XXX Center drain Specify: Standard colors: White (002), Bone (004), Biscuit (007) Non-standard colors: Refer to color chart in this book.	59 X 59 X 21 1/2 in.	52.7 ft ³	98 lb	\$ 835	\$ 1,035

HOMESTEAD WHIRLPOOL SYSTEM

No	Model	Approx. weight	Std Color(s)	Non-std Colors
141096-058-XXX	Bathtub with Homestead whirlpool w/air switch ¹ 141096-058-XXX Center drain	98 lb	\$ 1,649	N/A

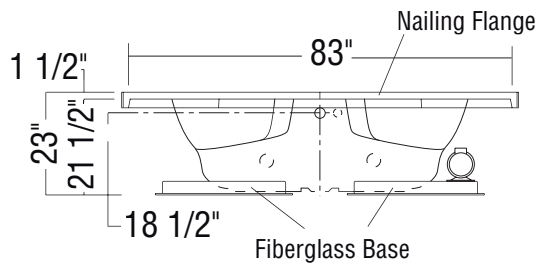
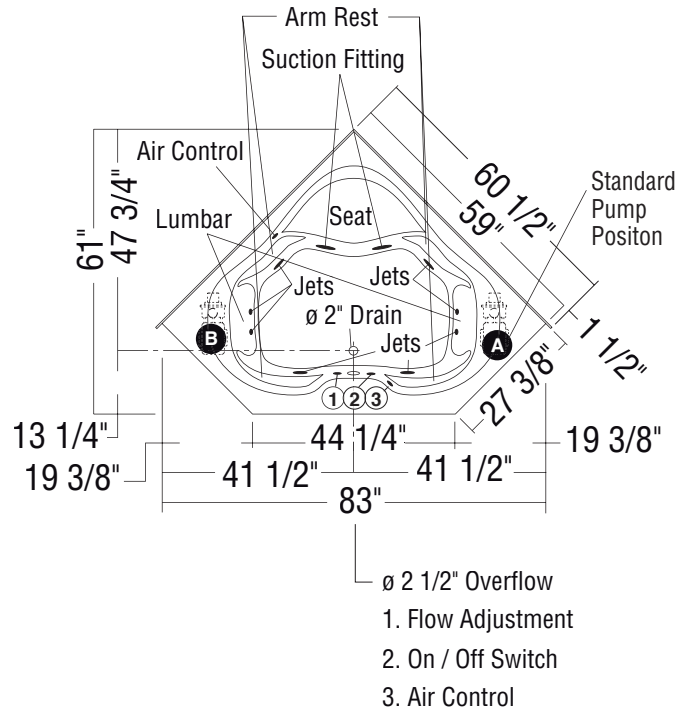
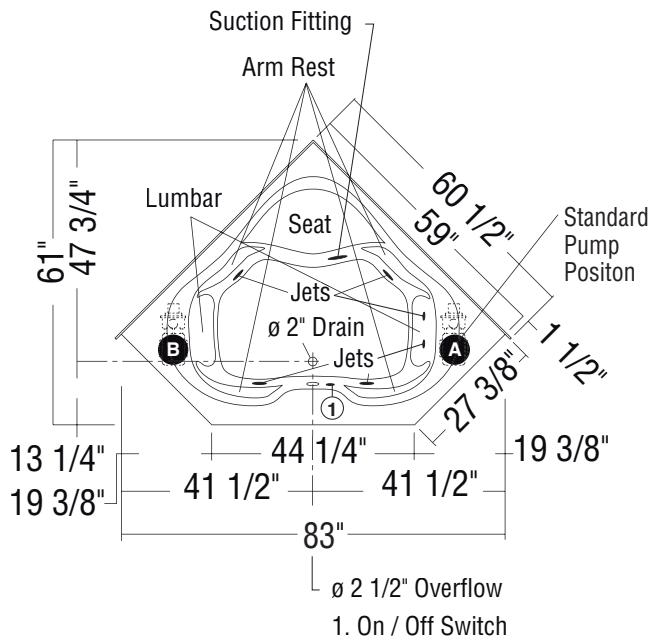
BODYWRAP WHIRLPOOL SYSTEM

No	Model	Approx. weight	Std Color(s)	Non-std Colors
141096-057-XXX	Bathtub with Bodywrap whirlpool w/micro switch ² 141096-057-XXX Center drain	98 lb	\$ 2,043	\$ 2,243

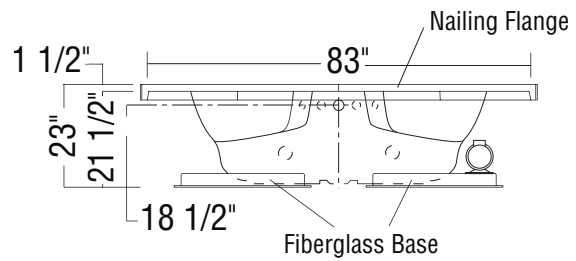
COMMON OPTIONS

No	Description	Approx. weight	List Price
OPT10172	In-line heater (factory-installed)	N/A	\$ 426
OPT10174	Pump position opposite standard position	N/A	\$ 68
OPT20139	Ozonator for Bodywrap whirlpool system	N/A	\$ 362
OPT20209-XXX	Trim kit for Bodywrap whirlpool (057) (factory installed) Available colors: Chrome (084), Polished Brass (085), Mixed Chrome and Polished Brass (164), Nickel (105)	N/A	No Charge

CTF-6060 (cont'd)



6-jet Homestead Collection CTF-6060
HMS (illustrated)

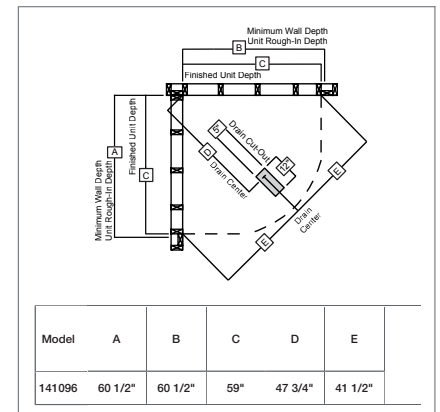


8-jet Bodywrap System CTF-6060
BWS (illustrated)

All dimensions are approximate. Structure measurements must be verified against the unit to ensure proper fit.

FOOTNOTES - BEFORE ORDERING, PLEASE SPECIFY:

- Components for standard color bathtubs equipped with Homestead whirlpool are color-coordinated.
- Components for standard color bathtubs equipped with bodywrap whirlpool are color-coordinated. Trim kit with metallic finish can be added, please order opt-20209 and specify trim kit color.



CTF2-6060

59" x 59" x 21 1/2" - Gelcoat
Water Capacity: Min: 74 gal. Max: 100 gal.



- Spacious bathing well • Drop-in installation
- 2 backrests with lumbar support
- Integrated tiling flange • Armrests
- Deck for faucet • Textured floor • Center drain
- 19 3/4" deep sump • Bottom bathing well : 57" L x 40" W



BATHTUB MODEL

No	Model	Dimensions	Pkg	Approx. weight	Std Color(s)	Non-std Colors
141097-000-XXX	Bathtub 141097-000-XXX Center drain Specify: Standard colors: White (002), Bone (004), Biscuit (007) Non-standard colors: Refer to color chart in this book.	59 X 59 X 21 1/2 in.	52.7 ft ³	101 lb	\$ 835	\$ 1,035

HOMESTEAD WHIRLPOOL SYSTEM

No	Model	Approx. weight	Std Color(s)	Non-std Colors
141097-058-XXX	Bathtub with Homestead whirlpool w/air switch ¹ 141097-058-XXX Center drain	101 lb	\$ 1,649	N/A

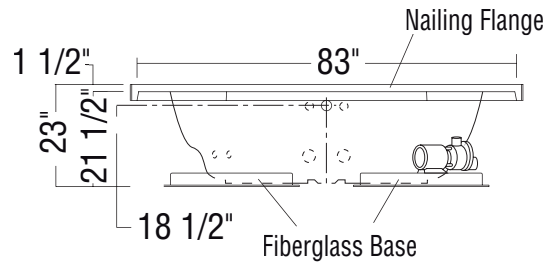
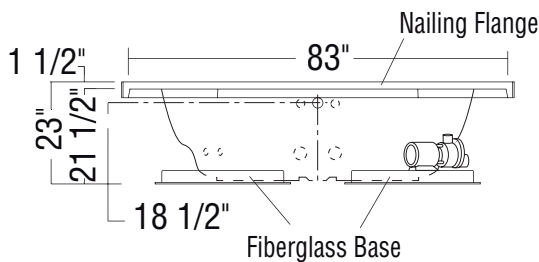
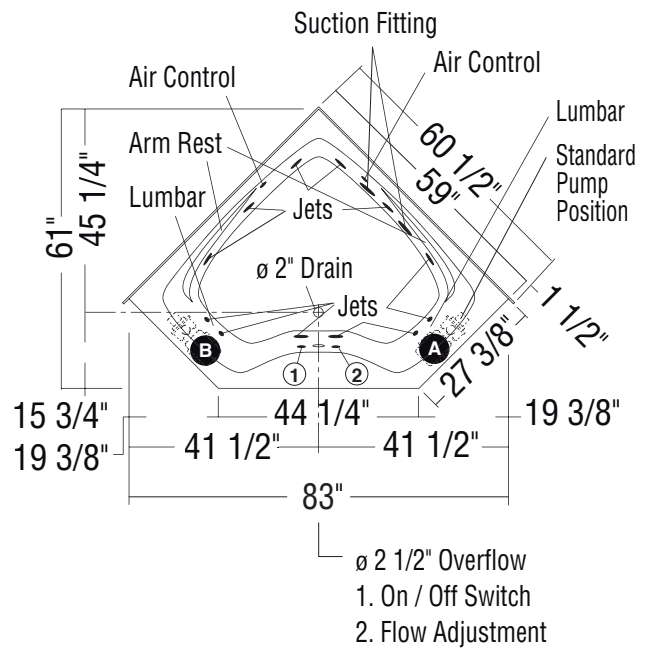
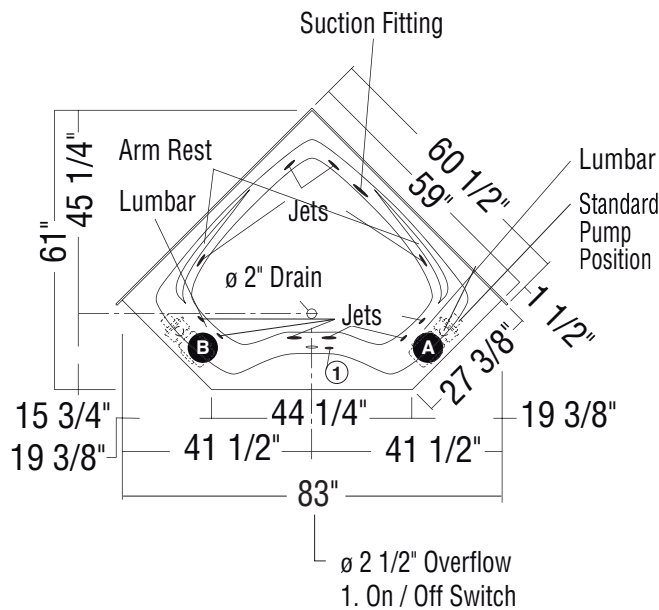
BODYWRAP WHIRLPOOL SYSTEM

No	Model	Approx. weight	Std Color(s)	Non-std Colors
141097-057-XXX	Bathtub with Bodywrap whirlpool w/micro switch ² 141097-057-XXX Center drain	101 lb	\$ 2,043	\$ 2,243

COMMON OPTIONS

No	Description	Approx. weight	List Price
OPT10172	In-line heater (factory-installed)	N/A	\$ 426
OPT10174	Pump position opposite standard position	N/A	\$ 68
OPT20139	Ozonator for Bodywrap whirlpool system	N/A	\$ 362
OPT20209-XXX	Trim kit for Bodywrap whirlpool (057) (factory installed) Available colors: Chrome (084), Polished Brass (085), Mixed Chrome and Polished Brass (164), Nickel (105)	N/A	No Charge

CTF2-6060 (cont'd)



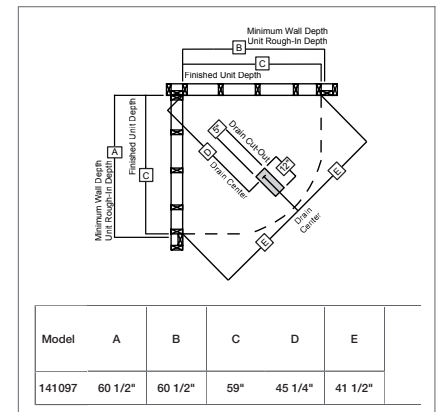
10-jet Homestead Collection CTF2-6060
HMS (illustrated)

12-jet Bodywrap System CTF2-6060
BWS (illustrated)

All dimensions are approximate. Structure measurements must be verified against the unit to ensure proper fit.

FOOTNOTES - BEFORE ORDERING, PLEASE SPECIFY:

- Components for standard color bathtubs equipped with Homestead whirlpool are color-coordinated.
- Components for standard color bathtubs equipped with bodywrap whirlpool are color-coordinated. Trim kit with metallic finish can be added, please order opt-20209 and specify trim kit color.



CT-5454

54" x 54" x 22" - Gelcoat
Water Capacity: Min: 44 gal. Max: 89 gal.



- Unique feature: integrated apron with access panels when equipped with a system
- Symmetrical backrests • Deck for faucet
- Integrated tiling flange & seat
- Integrated step • Textured floor • Center drain
- 18 1/2" deep sump • Bottom bathing well : 45" L x 38 1/4" W



BATHTUB MODEL

No	Model	Dimensions	Pkg	Approx. weight	Std Color(s)	Non-std Colors
141085-000-XXX	Bathtub 141085-000-XXX Center drain Specify: Standard colors: White (002), Bone (004), Biscuit (007) Non-standard colors: Refer to color chart in this book.	54 X 54 X 22 in.	44.5 ft ³	103 lb	\$ 888	\$ 1,088

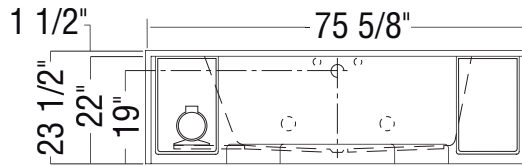
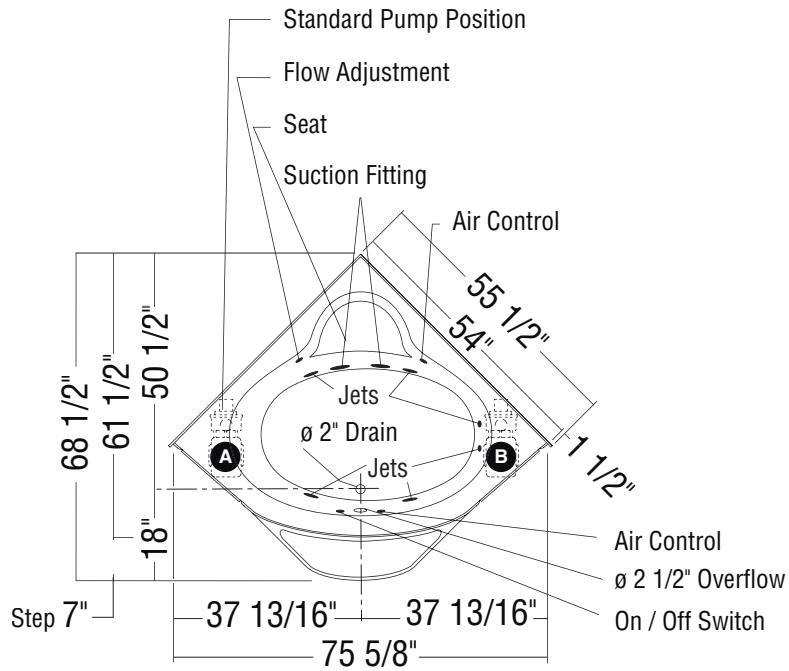
HOMESTEAD WHIRLPOOL SYSTEM

No	Model	Approx. weight	Std Color(s)	Non-std Colors
141085-058-XXX	Homestead whirlpool w/air switch- 6 jets ¹ 141085-058-XXX Center drain	103 lb	\$ 1,702	\$ 1,902

COMMON OPTIONS

No	Description	Approx. weight	List Price
OPT10170	Removable access panels for non-jetted model	N/A	\$ 129
OPT10172	In-line heater (factory-installed)	N/A	\$ 426
OPT10174	Pump position opposite standard position	N/A	\$ 68

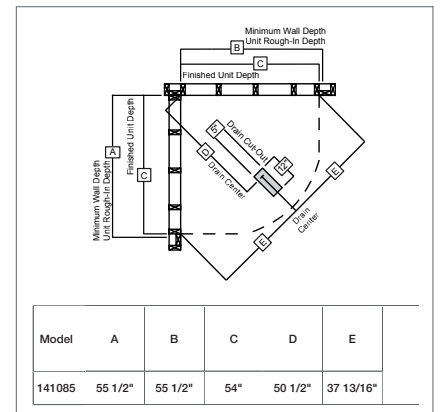
CT-5454 (cont'd)



All dimensions are approximate. Structure measurements must be verified against the unit to ensure proper fit.

FOOTNOTES - BEFORE ORDERING, PLEASE SPECIFY:

- Components for standard color bathtubs equipped with Homestead whirlpool are color-coordinated.



ACOP-4872

72" x 48" x 22 1/4" - Acrylic
Water Capacity: Min: 72 gal. Max: 110 gal.



- Armrests at each tub end
- Symmetrical backrests with lumbar supports
- Deep bathing well • Textured floor
- Deck for faucet
- Center drain • Drop-in installation



BATHTUB MODEL

No	Model	Dimensions	Pkg	Approx. weight	Std Color(s)
141116-000-XXX	Bathtub 141116-000-XXX Center drain Specify: Standard colors: White (001), Bone (004), Biscuit (007)	72 X 48 X 22 1/4 in.	52.8 ft ³	143 lb	\$ 1,395

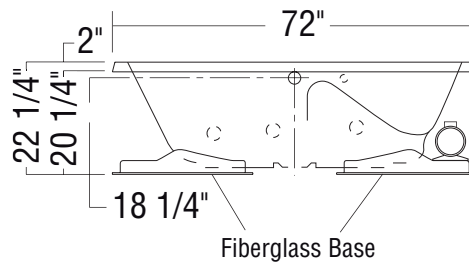
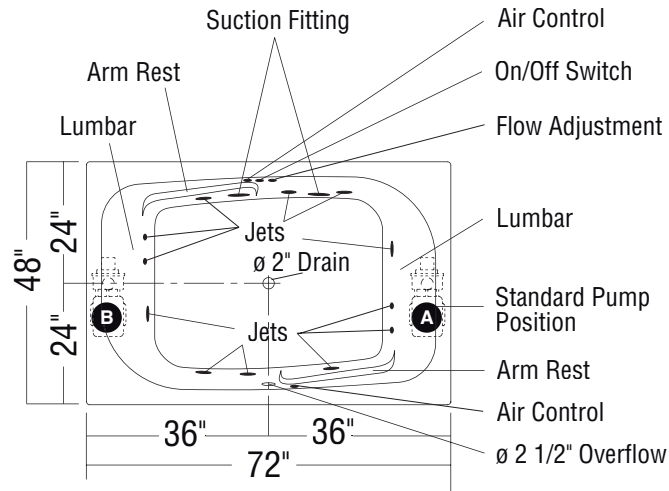
BODYWRAP WHIRLPOOL SYSTEM

No	Model	Approx. weight	Std Color(s)
141116-057-XXX	Bathtub with Bodywrap whirlpool w/micro switch ¹ 141116-057-XXX Center drain	143 lb	\$ 2,603

COMMON OPTIONS

No	Description	Approx. weight	List Price
OPT10172	In-line heater (factory-installed)	N/A	\$ 426
OPT10174	Pump position opposite standard position	N/A	\$ 68
OPT20139	Ozonator for Bodywrap whirlpool system	N/A	\$ 362
OPT20209-XXX	Trim kit for Bodywrap whirlpool (057) (factory installed) Available colors: Chrome (084), Polished Brass (085), Mixed Chrome and Polished Brass (164), Nickel (105)	N/A	No Charge

ACOP-4872 (cont'd)



12-jet Bodywrap System ACOP-4872 / BWS (illustrated)

All dimensions are approximate. Structure measurements must be verified against the unit to ensure proper fit.

FOOTNOTES - BEFORE ORDERING, PLEASE SPECIFY:

- Components for standard color bathtubs equipped with Bodywrap whirlpool are color-coordinated. Trim kit with metallic finish can be added, please order OPT20209 and specify trim kit color.



ACSB-4872

72" x 48" x 21 1/2" - Acrylic

Water Capacity: Min: 73 gal. Max: 146 gal.



- Deep and spacious bathing well
- Backrest with lumbar support • Raised headrest
- Armrests • Deck for faucet
- Textured floor
- End drain • Drop-in installation



BATHTUB MODEL

No	Model	Dimensions	Pkg	Approx. weight	Std Color(s)
141115-000-XXX	Bathtub 141115-000-XXX End drain Specify: Standard colors: White (001), Bone (004), Biscuit (007)	72 X 48 X 21 1/2 in.	50.4 ft ³	132 lb	\$ 1,394
141093-000-XXX	Apron - Removable solid apron kit Specify: Standard colors: White (002), Bone (004), Biscuit (007) Non-standard colors: Refer to color chart in this book.	N/A	3.93 ft ³	35 lb	\$ 345
141094-000-XXX	Apron - Non-removable solid apron kit Specify: Standard colors: White (002), Bone (004), Biscuit (007) Non-standard colors: Refer to color chart in this book.	N/A	0.1 ft ³	22 lb	\$ 274

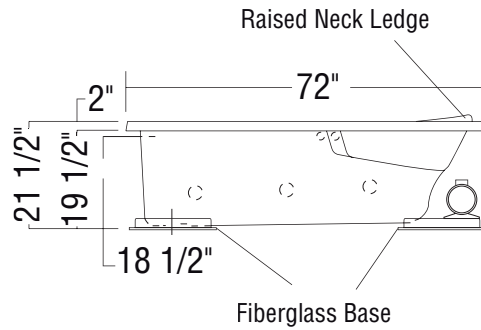
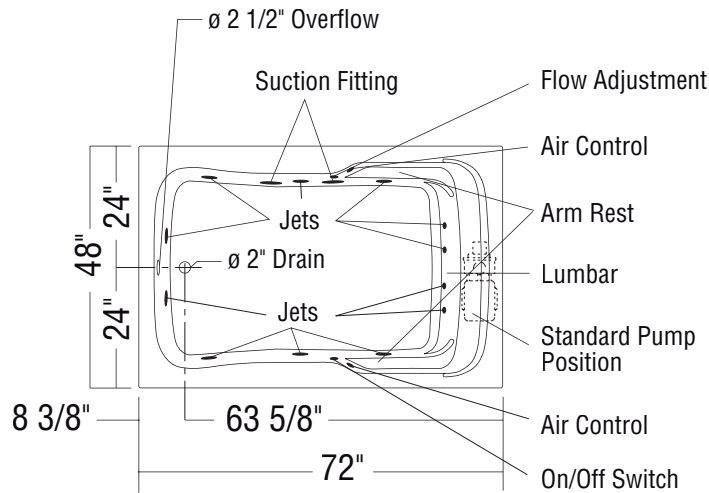
BODYWRAP WHIRLPOOL SYSTEM

No	Model	Approx. weight	Std Color(s)
141115-057-XXX	Bathtub with Bodywrap whirlpool w/micro switch ¹ 141115-057-XXX End drain	132 lb	\$ 2,602

COMMON OPTIONS

No	Description	Approx. weight	List Price
OPT10172	In-line heater (factory-installed)	N/A	\$ 426
OPT10174	Pump position opposite standard position ²	N/A	\$ 68
OPT10175-084	Designer grab bars Available color: Chrome (084)	N/A	\$ 260
OPT20139	Ozonator for Bodywrap whirlpool system	N/A	\$ 362
OPT20209-XXX	Trim kit for Bodywrap whirlpool (057) (factory installed) Available colors: Chrome (084), Polished Brass (085), Mixed Chrome and Polished Brass (164), Nickel (105)	N/A	No Charge

ACSB-4872 (cont'd)



12-jet Bodywrap System ACSB-4872 / BWS (illustrated)

All dimensions are approximate. Structure measurements must be verified against the unit to ensure proper fit.

FOOTNOTES - BEFORE ORDERING, PLEASE SPECIFY:

1. Components for standard color bathtubs equipped with Bodywrap whirlpool are color-coordinated. Trim kit with metallic finish can be added, please order OPT20209 and specify trim kit color.
2. The pump on opposite side of standard location will exceed the bathtub dimensions from 8 to 10 inches.



ACHG-4272

72" x 42" x 21 1/2" - Acrylic

Water Capacity: Min: 52 gal. Max: 104 gal.



- Armrests at each tub end • Raised headrests
- Symmetrical backrests with lumbar supports
- Deep bathing well • Deck for faucet
- Textured floor
- Center drain • Drop-in installation



BATHTUB MODEL

No	Model	Dimensions	Pkg	Approx. weight	Std Color(s)
141107-000-XXX	Bathtub 141107-000-XXX Center drain Specify: Standard colors: White (001), Bone (004), Biscuit (007)	72 X 42 X 21 1/2 in.	43.9 ft ³	126 lb	\$ 1,130
141093-000-XXX	Apron - Removable solid apron kit Specify: Standard colors: White (002), Bone (004), Biscuit (007) Non-standard colors: Refer to color chart in this book.	N/A	3.93 ft ³	35 lb	\$ 345
141094-000-XXX	Apron - Non-removable solid apron kit Specify: Standard colors: White (002), Bone (004), Biscuit (007) Non-standard colors: Refer to color chart in this book.	N/A	0.1 ft ³	22 lb	\$ 274

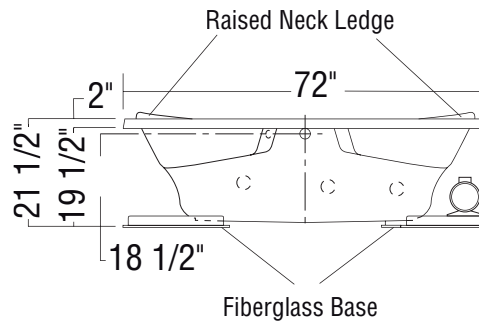
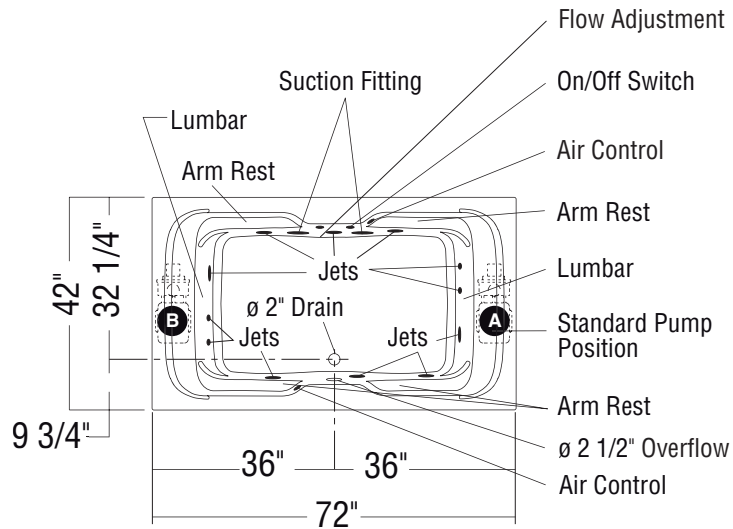
BODYWRAP WHIRLPOOL SYSTEM

No	Model	Approx. weight	Std Color(s)
141107-057-XXX	Bathtub with Bodywrap whirlpool w/micro switch ¹ 141107-057-XXX Center drain	126 lb	\$ 2,338

COMMON OPTIONS

No	Description	Approx. weight	List Price
OPT10172	In-line heater (factory-installed)	N/A	\$ 426
OPT10174	Pump position opposite standard position	N/A	\$ 68
OPT10175-084	Designer grab bars Available color: Chrome (084)	N/A	\$ 260
OPT20139	Ozonator for Bodywrap whirlpool system	N/A	\$ 362
OPT20209-XXX	Trim kit for Bodywrap whirlpool (057) (factory installed) Available colors: Chrome (084), Polished Brass (085), Mixed Chrome and Polished Brass (164), Nickel (105)	N/A	No Charge

ACHG-4272 (cont'd)



12-jet Bodywrap System ACHG-4272 / BWS (illustrated)

All dimensions are approximate. Structure measurements must be verified against the unit to ensure proper fit.

FOOTNOTES - BEFORE ORDERING, PLEASE SPECIFY:

1. Components for standard color bathtubs equipped with Bodywrap whirlpool are color-coordinated. Trim kit with metallic finish can be added, please order OPT20209 and specify trim kit color.



ACSB-4272

72" x 42" x 21 1/2" - Acrylic

Water Capacity: Min: 63 gal. Max: 126 gal.



- Deep and spacious bathing well
- Backrest with lumbar support • Raised headrest
- Armrests • Deck for faucet
- Textured floor
- End drain • Drop-in installation



BATHTUB MODEL

No	Model	Dimensions	Pkg	Approx. weight	Std Color(s)
141106-000-XXX	Bathtub 141106-000-XXX End drain Specify: Standard colors: White (001), Bone (004), Biscuit (007)	72 X 42 X 21 1/2 in.	44.6 ft ³	127 lb	\$ 1,136
141093-000-XXX	Apron - Removable solid apron kit Specify: Standard colors: White (002), Bone (004), Biscuit (007) Non-standard colors: Refer to color chart in this book.	N/A	3.93 ft ³	35 lb	\$ 345
141094-000-XXX	Apron - Non-removable solid apron kit Specify: Standard colors: White (002), Bone (004), Biscuit (007) Non-standard colors: Refer to color chart in this book.	N/A	0.1 ft ³	22 lb	\$ 274

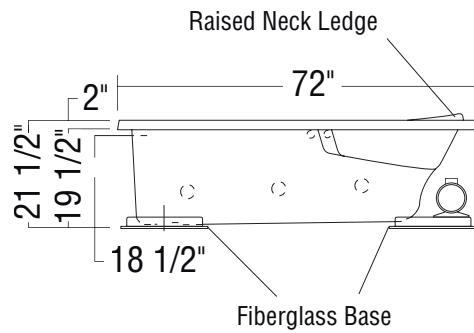
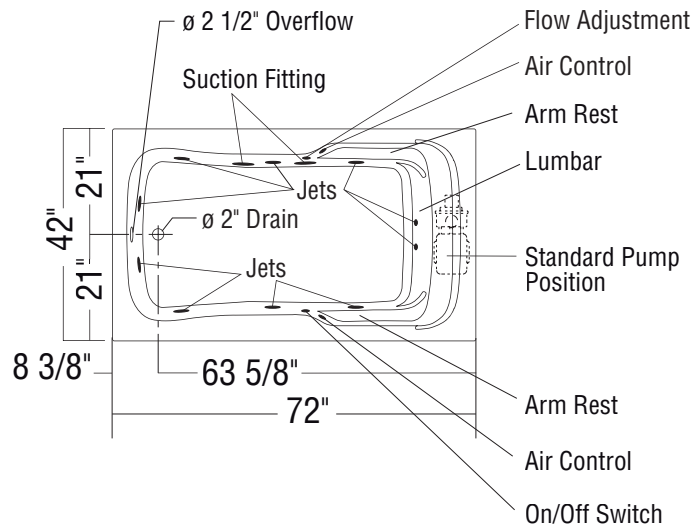
BODYWRAP WHIRLPOOL SYSTEM

No	Model	Approx. weight	Std Color(s)
141106-057-XXX	Bathtub with Bodywrap whirlpool w/micro switch ¹ 141106-057-XXX End drain	127 lb	\$ 2,344

COMMON OPTIONS

No	Description	Approx. weight	List Price
OPT10172	In-line heater (factory-installed)	N/A	\$ 426
OPT10174	Pump position opposite standard position ²	N/A	\$ 68
OPT10175-084	Designer grab bars Available color: Chrome (084)	N/A	\$ 260
OPT20139	Ozonator for Bodywrap whirlpool system	N/A	\$ 362
OPT20209-XXX	Trim kit for Bodywrap whirlpool (057) (factory installed) Available colors: Chrome (084), Polished Brass (085), Mixed Chrome and Polished Brass (164), Nickel (105)	N/A	No Charge

ACSB-4272 (cont'd)



10-jet Bodywrap System ACSB-4272 / BWS (illustrated)

All dimensions are approximate. Structure measurements must be verified against the unit to ensure proper fit.

FOOTNOTES - BEFORE ORDERING, PLEASE SPECIFY:

1. Components for standard color bathtubs equipped with Bodywrap whirlpool are color-coordinated. Trim kit with metallic finish can be added, please order OPT20209 and specify trim kit color.
2. The pump on opposite side of standard location will exceed the bathtub dimensions from 8 to 10 inches.



ACA-4272

71 7/8" x 41 7/8" x 20 1/4" - Acrylic

Water Capacity: Max: 85 gal.



- Unique feature: integrated apron with large access panel when equipped with a system
- Armrests • Backrest with lumbar support
- 2 5/8 in. Above-the-Floor Rough included
- Textured floor
- Integrated tiling flange • Alcove installation



BATHTUB MODEL

No	Model	Dimensions	Pkg	Approx. weight	Std Color(s)
141141-000-XXX	Bathtub 141141-R-000-XXX Right-hand drain 141141-L-000-XXX Left-hand drain Specify: Standard colors: White (001), Bone (004), Biscuit (007)	71 7/8 X 41 7/8 X 20 1/4 in.	44.6 ft ³	93 lb	\$ 1,166

HOMESTEAD WHIRLPOOL SYSTEM

No	Model	Approx. weight	Std Color(s)
141141-058-XXX	Bathtub with Homestead whirlpool w/air switch ¹ 141141-R-058-XXX Right-hand drain 141141-L-058-XXX Left-hand drain	93 lb	\$ 1,980

BODYWRAP WHIRLPOOL SYSTEM

No	Model	Approx. weight	Std Color(s)
141141-057-XXX	Bathtub with Bodywrap whirlpool w/micro switch ² 141141-R-057-XXX Right-hand drain 141141-L-057-XXX Left-hand drain	93 lb	\$ 2,374

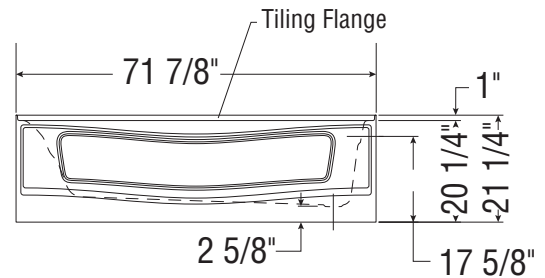
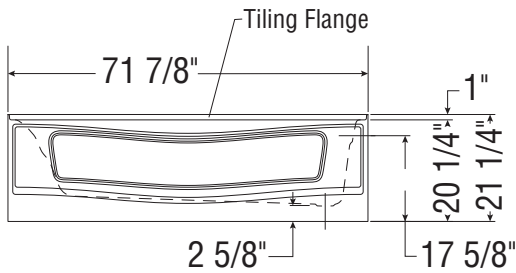
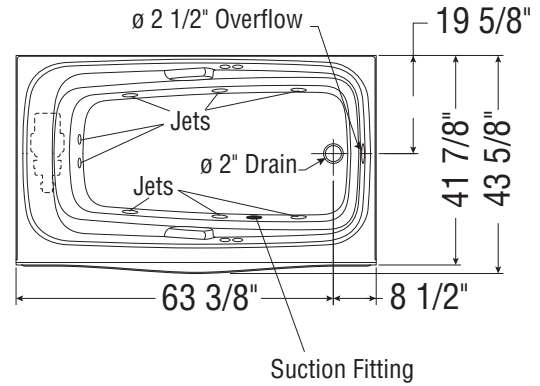
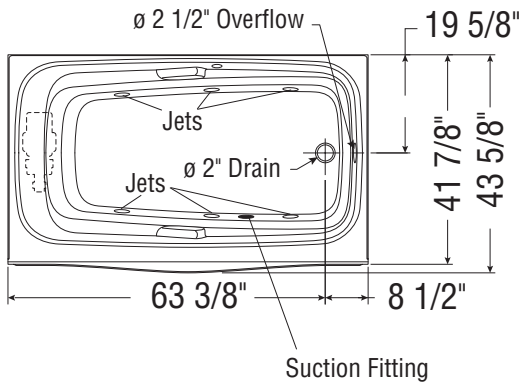
COMMON OPTIONS

No	Description	Approx. weight	List Price
OPT10168	Removable access panel for non-jetted model	N/A	\$ 83
OPT10172	In-line heater (factory-installed)	N/A	\$ 426
OPT20139	Ozonator for Bodywrap whirlpool system	N/A	\$ 362
OPT20209-XXX	Trim kit for Bodywrap whirlpool (057) (factory installed) Available colors: Chrome (084), Polished Brass (085), Mixed Chrome and Polished Brass (164), Nickel (105)	N/A	No Charge

DOORS RECOMMENDED WITH THIS PRODUCT. REFER TO MAAX DOOR PRICE BOOK

No	Description
138304-XXX-XXX	Triple Plus 3-panel 72 in.

ACA-4272 (cont'd)



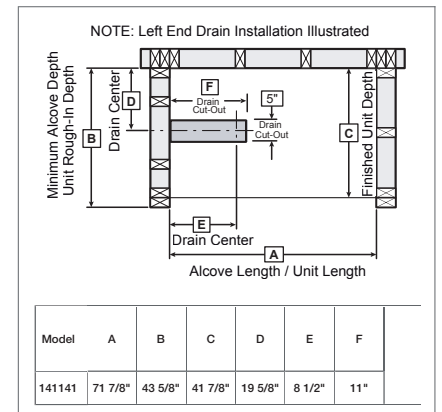
6-jet Homestead Collection ACA-4272
HMS (illustrated)

10-jet Bodywrap Collection ACA-4272
BWS (illustrated)

All dimensions are approximate. Structure measurements must be verified against the unit to ensure proper fit.

FOOTNOTES - BEFORE ORDERING, PLEASE SPECIFY:

1. Components for standard color bathtubs equipped with Homestead whirlpool are color-coordinated.
2. Components for standard color bathtubs equipped with Bodywrap whirlpool are color-coordinated. Trim kit with metallic finish can be added, please order OPT20209 and specify trim kit color.



ACSB-3672

72" x 36" x 21 1/2" - Acrylic

Water Capacity: Min: 55 gal. Max: 110 gal.



- Deep and spacious bathing well
- Backrest with lumbar support • Raised headrest
- Armrests • Deck for faucet
- Textured floor • End drain • Drop-in installation
- 20 1/2" deep sump • Bottom bathing well : 56 1/2" L x 27" W



BATHTUB MODEL

No	Model	Dimensions	Pkg	Approx. weight	Std Color(s)
141104-000-XXX	Bathtub 141104-000-XXX End drain Specify: Standard colors: White (001), Bone (004), Biscuit (007)	72 X 36 X 21 1/2 in.	39.9 ft ³	113 lb	\$ 906
141093-000-XXX	Apron - Removable solid apron kit Specify: Standard colors: White (002), Bone (004), Biscuit (007) Non-standard colors: Refer to color chart in this book.	N/A	3.93 ft ³	35 lb	\$ 345
141094-000-XXX	Apron - Non-removable solid apron kit Specify: Standard colors: White (002), Bone (004), Biscuit (007) Non-standard colors: Refer to color chart in this book.	N/A	0.1 ft ³	22 lb	\$ 274

HOMESTEAD WHIRLPOOL SYSTEM

No	Model	Approx. weight	Std Color(s)
141104-058	Bathtub with Homestead whirlpool w/air switch - 6 jets ¹ 141104-057-XXX End drain	113 lb	\$ 1,720

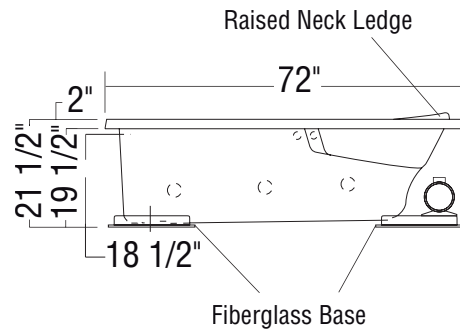
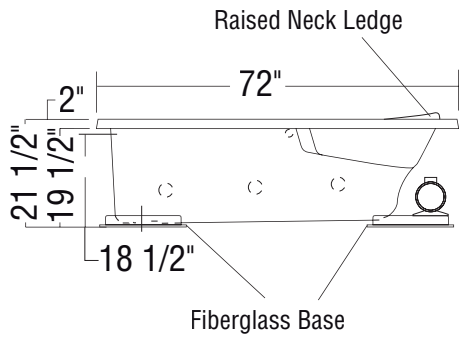
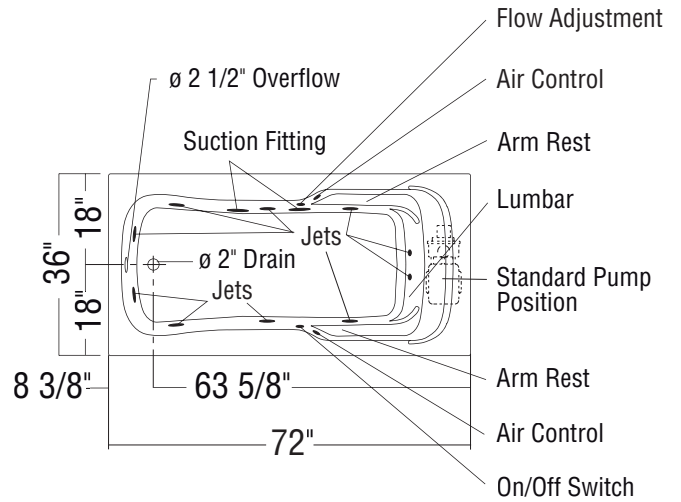
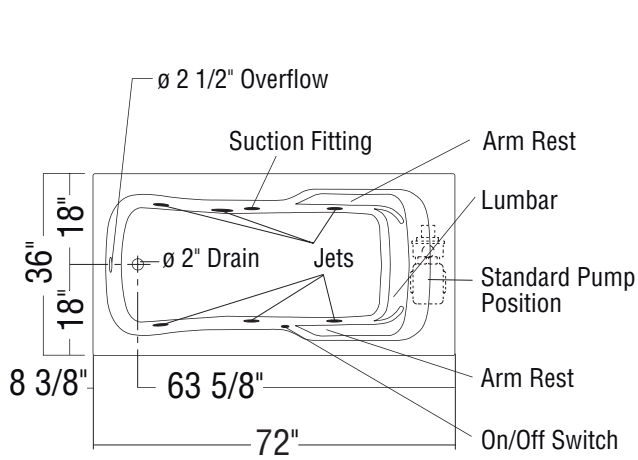
BODYWRAP WHIRLPOOL SYSTEM

No	Model	Approx. weight	Std Color(s)
141104-057	Bathtub with Bodywrap whirlpool w/micro switch - 10 jets ² 141104-058-XXX End drain	113 lb	\$ 2,114

COMMON OPTIONS

No	Description	Approx. weight	List Price
OPT10172	In-line heater (factory-installed)	N/A	\$ 426
OPT10174	Pump position opposite standard position ³	N/A	\$ 68
OPT10175-084	Designer grab bars Available color: Chrome (084)	N/A	\$ 260
OPT20139	Ozonator for Bodywrap whirlpool system	N/A	\$ 362
OPT20209-XXX	Trim kit for Bodywrap whirlpool (057) (factory installed) Available colors: Chrome (084), Polished Brass (085), Mixed Chrome and Polished Brass (164), Nickel (105)	N/A	No Charge

ACSB-3672 (cont'd)



6-jet Homestead Collection ACSB-3672
HMS (illustrated)

10-jet Bodywrap System ACSB-3672
BWS (illustrated)

All dimensions are approximate. Structure measurements must be verified against the unit to ensure proper fit.

FOOTNOTES - BEFORE ORDERING, PLEASE SPECIFY:

1. Components for standard color bathtubs equipped with Homestead whirlpool are color-coordinated.
2. Components for bathtubs equipped with Bodywrap whirlpool are color-coordinated. Trim kit with metallic finish can be added, please order opt-20209 and specify trim kit color.
3. The pump on opposite side of standard location will exceed the bathtub dimensions from 8 to 10 inches.



ACA-3672

71 7/8" x 36" x 20 1/4" - Acrylic

Water Capacity: Max: 80 gal.



- Unique feature: integrated apron with large access panel when equipped with a system
- Armrests • Backrest with lumbar support
- 2 5/8 in. Above-The-Floor rough included
- Textured floor
- Integrated tiling flange • Alcove installation



BATHTUB MODEL

No	Model	Dimensions	Pkg	Approx. weight	Std Color(s)
141139-000-XXX	Bathtub 141139-R-000-XXX Right-hand drain 141139-L-000-XXX Left-hand drain Specify: Standard colors: White (001), Bone (004), Biscuit (007)	71 7/8 X 36 X 20 1/4 in.	34 ft ³	98 lb	\$ 1,097

HOMESTEAD WHIRLPOOL SYSTEM

No	Model	Approx. weight	Std Color(s)
141139-058-XXX	Bathtub with Homestead whirlpool w/air switch ¹ 141139-R-058-XXX Right-hand drain 141139-L-058-XXX Left-hand drain	98 lb	\$ 1,911

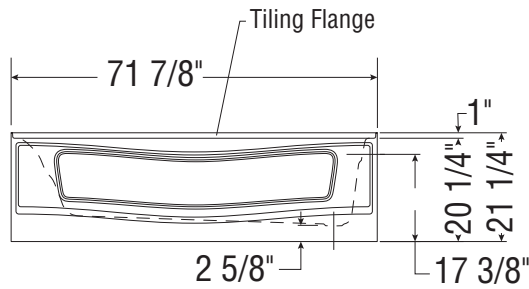
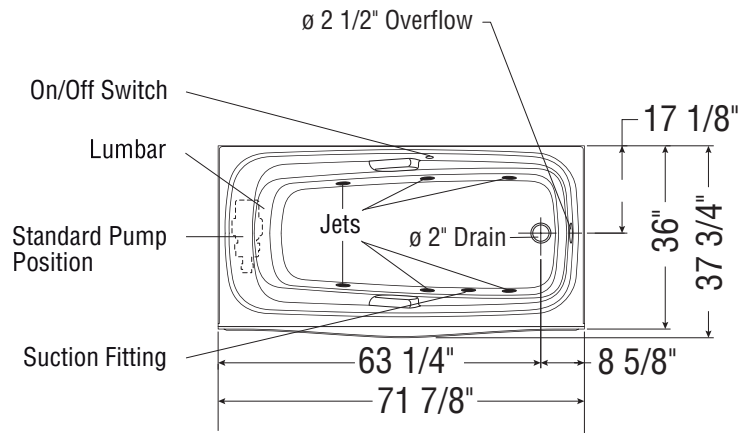
COMMON OPTIONS

No	Description	Approx. weight	List Price
OPT10168	Removable access panel for non-jetted model	N/A	\$ 83
OPT10172	In-line heater (factory-installed)	N/A	\$ 426

DOORS RECOMMENDED WITH THIS PRODUCT. REFER TO MAAX DOOR PRICE BOOK

No	Description
138304-XXX-XXX	Triple Plus 3-panel 72 in.

ACA-3672 (cont'd)

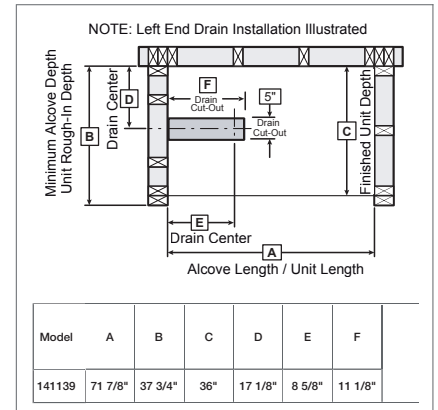


6-jet Homestead Collection ACA-3672 HMS (illustrated)

All dimensions are approximate. Structure measurements must be verified against the unit to ensure proper fit.

FOOTNOTES - BEFORE ORDERING, PLEASE SPECIFY:

- Components for standard color bathtubs equipped with Homestead whirlpool are color-coordinated.



ACA-3666

65 7/8" x 36" x 20 1/4" - Acrylic

Water Capacity: Max: 64 gal.



- Unique feature: integrated apron with large access panel when equipped with a system
- Armrests • Backrest with lumbar support
- 2 3/4 in. Above-the-Floor Rough included
- Textured floor
- Integrated tiling flange • Alcove installation



BATHTUB MODEL

No	Model	Dimensions	Pkg	Approx. weight	Std Color(s)
141138-000-XXX	Bathtub 141138-R-000-XXX Right-hand drain 141138-L-000-XXX Left-hand drain Specify: Standard colors: White (001), Bone (004), Biscuit (007)	65 7/8 X 36 X 20 1/4 in.	24 ft ³	95 lb	\$ 1,039

HOMESTEAD WHIRLPOOL SYSTEM

No	Model	Approx. weight	Std Color(s)
141138-058-XXX	Bathtub with Homestead whirlpool w/air switch ¹ 141138-R-058-XXX Right-hand drain 141138-L-058-XXX Left-hand drain	95 lb	\$ 1,853

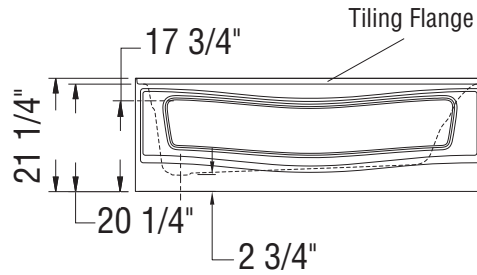
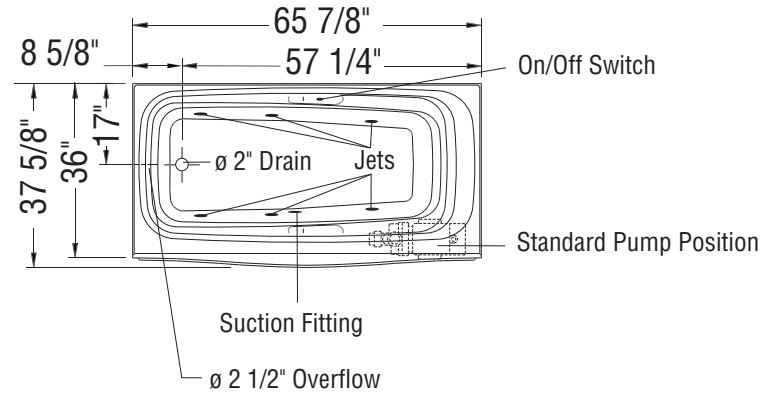
COMMON OPTIONS

No	Description	Approx. weight	List Price
OPT10168	Removable access panel for non-jetted model	N/A	\$ 83
OPT10172	In-line heater (factory-installed)	N/A	\$ 426

DOORS RECOMMENDED WITH THIS PRODUCT. REFER TO MAAX DOOR PRICE BOOK

No	Description
138303-XXX-XXX	Triple Plus 3-panel 64 1/2 in.
135130-XXX-XXX	Tub Shield 1-panel 30 in.
135340-XXX-XXX	3 folding panels 39 1/2 in.

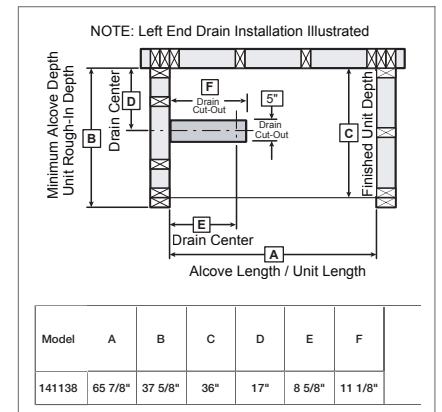
ACA-3666 (cont'd)



All dimensions are approximate. Structure measurements must be verified against the unit to ensure proper fit.

FOOTNOTES - BEFORE ORDERING, PLEASE SPECIFY:

- Components for standard color bathtubs equipped with Homestead whirlpool are color-coordinated.



ACSB-4260

60" x 42" x 21 1/2" - Acrylic

Water Capacity: Min: 49 gal. Max: 98 gal.



- Deep and spacious bathing well
- Backrest with lumbar support • Raised headrest
- Armrests • Deck for faucet
- Textured floor • End drain • Drop-in installation
- 20 1/2" deep sump • Bottom bathing well : 45 1/4" L x 32" W



BATHTUB MODEL

No	Model	Dimensions	Pkg	Approx. weight	Std Color(s)
141102-000-XXX	Bathtub 141102-000-XXX End drain Specify: Standard colors: White (001), Bone (004), Biscuit (007)	60 X 42 X 21 1/2 in.	37.6 ft ³	113 lb	\$ 1,012
141091-000-XXX	Apron - Non-removable solid apron kit Specify: Standard colors: White (002), Bone (004), Biscuit (007) Non-standard colors: Refer to color chart in this book.	N/A	0.1 ft ³	19 lb	\$ 247
141090-000-XXX	Apron - Removable solid apron kit Specify: Standard colors: White (002), Bone (004), Biscuit (007) Non-standard colors: Refer to color chart in this book.	N/A	3.52 ft ³	31 lb	\$ 316

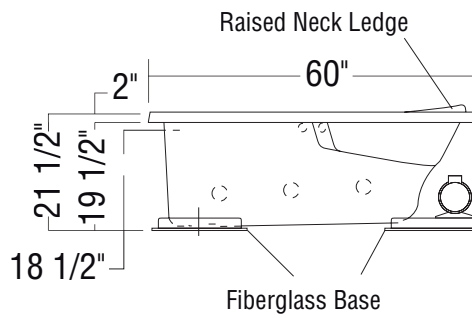
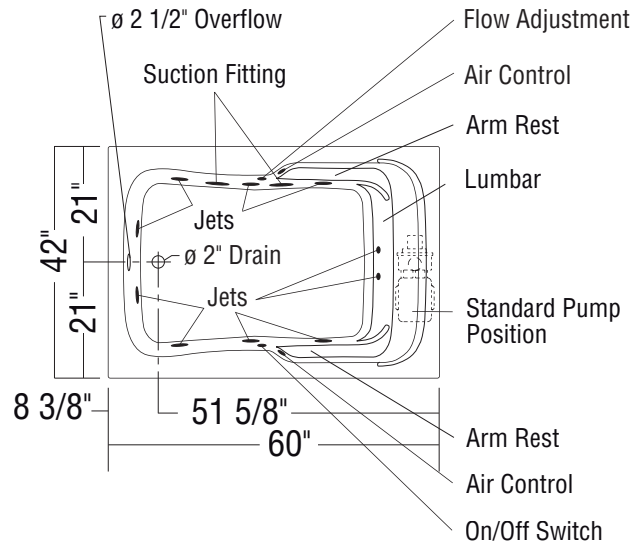
BODYWRAP WHIRLPOOL SYSTEM

No	Model	Approx. weight	Std Color(s)
141102-057-XXX	Bathtub with Bodywrap whirlpool w/micro switch ¹ 141102-057-XXX End drain	113 lb	\$ 2,220

COMMON OPTIONS

No	Description	Approx. weight	List Price
OPT10172	In-line heater (factory-installed)	N/A	\$ 426
OPT10174	Pump position opposite standard position ²	N/A	\$ 68
OPT10175-084	Designer grab bars Available color: Chrome (084)	N/A	\$ 260
OPT20139	Ozonator for Bodywrap whirlpool system	N/A	\$ 362
OPT20209-XXX	Trim kit for Bodywrap whirlpool (057) (factory installed) Available colors: Chrome (084), Polished Brass (085), Mixed Chrome and Polished Brass (164), Nickel (105)	N/A	No Charge

ACSB-4260 (cont'd)



10-jet Bodywrap System ACSB-4260 / BWS (illustrated)

All dimensions are approximate. Structure measurements must be verified against the unit to ensure proper fit.

FOOTNOTES - BEFORE ORDERING, PLEASE SPECIFY:

1. Components for standard color bathtubs equipped with Bodywrap whirlpool are color-coordinated. Trim kit with metallic finish can be added, please order OPT20209 and specify trim kit color.
2. The pump on opposite side of standard location will exceed the bathtub dimensions from 8 to 10 inches.



ACA-4260

59 7/8" x 42" x 20 1/4" - Acrylic

Water Capacity: Max: 75 gal.



- Unique feature: integrated apron with large access panel when equipped with a system
- Armrests • Backrest with lumbar support
- 2 3/4 in. Above-the-Floor Rough included
- Textured floor
- Integrated tiling flange • Alcove installation



BATHTUB MODEL

No	Model	Dimensions	Pkg	Approx. weight	Std Color(s)
141140-000-XXX	Bathtub 141140-R-000-XXX Right-hand drain 141140-L-000-XXX Left-hand drain Specify: Standard colors: White (001), Bone (004), Biscuit (007)	59 7/8 X 42 X 20 1/4 in.	40.2 ft ³	82 lb	\$ 985

HOMESTEAD WHIRLPOOL SYSTEM

No	Model	Approx. weight	Std Color(s)
141140-058-XXX	Bathtub with Homestead whirlpool w/air switch ¹ 141140-R-058-XXX Right-hand drain 141140-L-058-XXX Left-hand drain	82 lb	\$ 1,799

BODYWRAP WHIRLPOOL SYSTEM

No	Model	Approx. weight	Std Color(s)
141140-057-XXX	Bathtub with Bodywrap whirlpool w/micro switch ² 141140-R-057-XXX Right-hand drain 141140-L-057-XXX Left-hand drain	82 lb	\$ 2,193

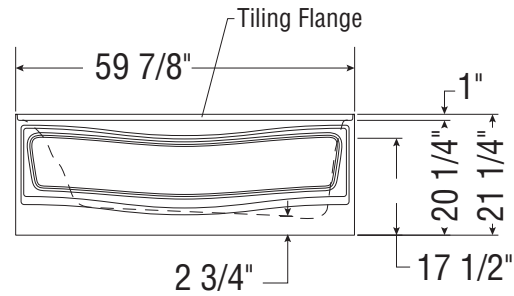
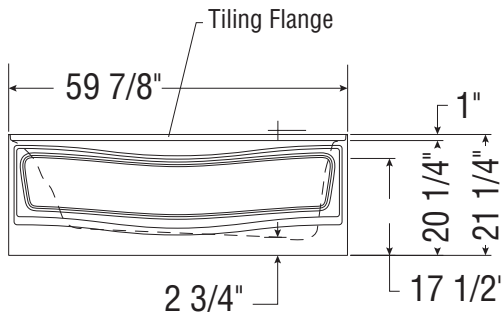
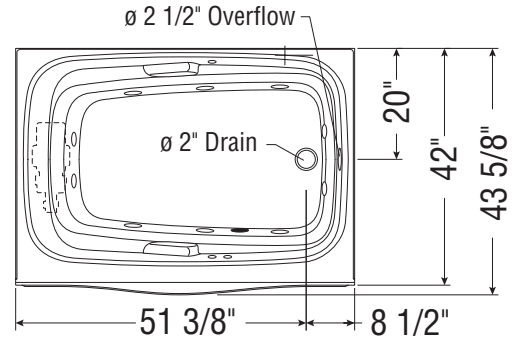
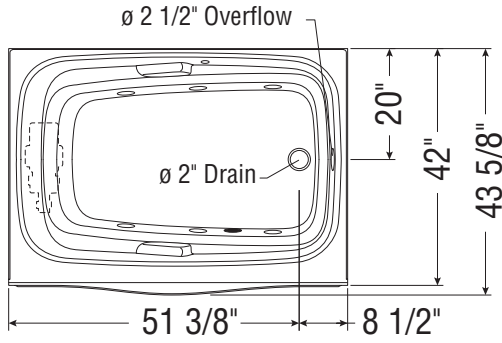
COMMON OPTIONS

No	Description	Approx. weight	List Price
OPT10168	Removable access panel for non-jetted model	N/A	\$ 83
OPT10172	In-line heater (factory-installed)	N/A	\$ 426
OPT20139	Ozonator for Bodywrap whirlpool system	N/A	\$ 362
OPT20209-XXX	Trim kit for Bodywrap whirlpool (057) (factory installed) Available colors: Chrome (084), Polished Brass (085), Mixed Chrome and Polished Brass (164), Nickel (105)	N/A	No Charge

DOORS RECOMMENDED WITH THIS PRODUCT. REFER TO MAAX DOOR PRICE BOOK

No	Description
105410-XXX-XXX	Polar 2-panel 54 - 59 1/2 in.

ACA-4260 (cont'd)



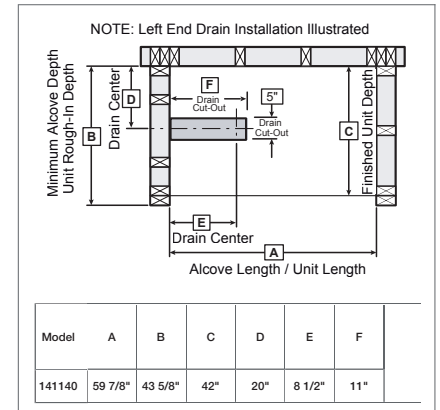
6-jet Homestead Collection ACA-4260
HMS (illustrated)

10-jet Bodywrap Collection ACA-4260
BWS (illustrated)

All dimensions are approximate. Structure measurements must be verified against the unit to ensure proper fit.

FOOTNOTES - BEFORE ORDERING, PLEASE SPECIFY:

1. Components for standard color bathtubs equipped with Homestead whirlpool are color-coordinated.
2. Components for standard color bathtubs equipped with Bodywrap whirlpool are color-coordinated. Trim kit with metallic finish can be added, please order OPT20209 and specify trim kit color.



ACSB-3660

60" x 36" x 21 1/2" - Acrylic

Water Capacity: Min: 42 gal. Max: 84 gal.



- Deep and spacious bathing well
- Backrest with lumbar support • Raised headrest
- Armrests • Deck for faucet
- Textured floor • End drain • Drop-in installation
- 20 1/2" deep sump • Bottom bathing well : 45" L x 25" W



BATHTUB MODEL

No	Model	Dimensions	Pkg	Approx. weight	Std Color(s)
141100-000-XXX	Bathtub 141100-000-XXX End drain Specify: Standard colors: White (001), Bone (004), Biscuit (007)	60 X 36 X 21 1/2 in.	34.4 ft ³	99 lb	\$ 828
141091-000-XXX	Apron - Non-removable solid apron kit Specify: Standard colors: White (002), Bone (004), Biscuit (007) Non-standard colors: Refer to color chart in this book.	N/A	0.1 ft ³	19 lb	\$ 247
141090-000-XXX	Apron - Removable solid apron kit Specify: Standard colors: White (002), Bone (004), Biscuit (007) Non-standard colors: Refer to color chart in this book.	N/A	3.52 ft ³	31 lb	\$ 316

HOMESTEAD WHIRLPOOL SYSTEM

No	Model	Approx. weight	Std Color(s)
141100-058-XXX	Bathtub with Homestead whirlpool w/air switch ¹ 141100-058-XXX End drain	99 lb	\$ 1,642

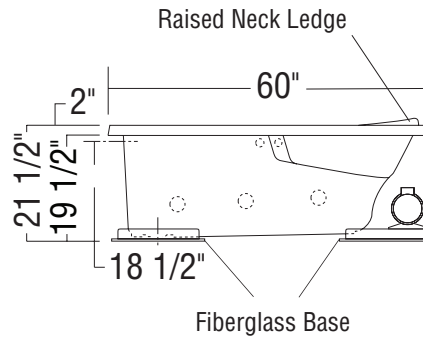
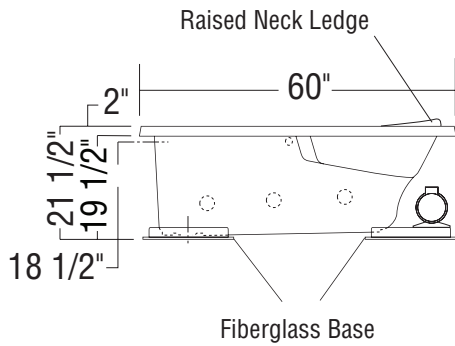
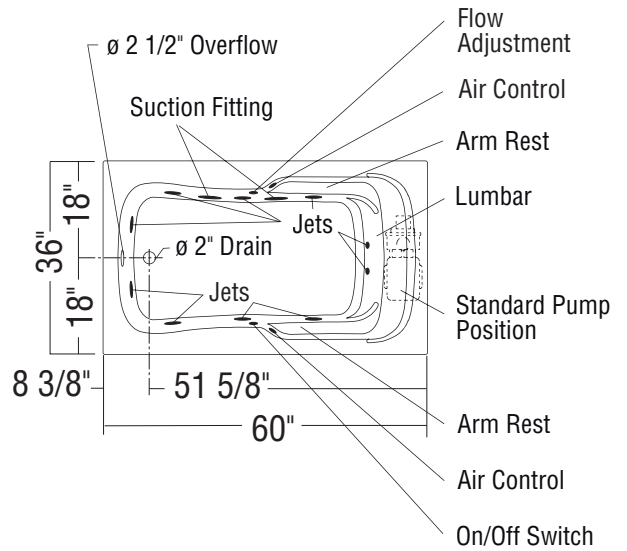
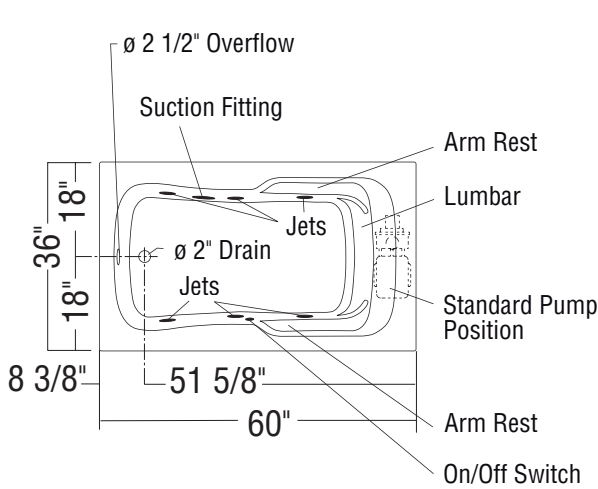
BODYWRAP WHIRLPOOL SYSTEM

No	Model	Approx. weight	Std Color(s)
141100-057-XXX	Bathtub with Bodywrap whirlpool w/micro switch ² 141100-057-XXX End drain	99 lb	\$ 2,036

COMMON OPTIONS

No	Description	Approx. weight	List Price
OPT10172	In-line heater (factory-installed)	N/A	\$ 426
OPT10174	Pump position opposite standard position ³	N/A	\$ 68
OPT10175-084	Designer grab bars Available color: Chrome (084)	N/A	\$ 260
OPT20139	Ozonator for Bodywrap whirlpool system	N/A	\$ 362
OPT20209-XXX	Trim kit for Bodywrap whirlpool (057) (factory installed) Available colors: Chrome (084), Polished Brass (085), Mixed Chrome and Polished Brass (164), Nickel (105)	N/A	No Charge

ACSB-3660 (cont'd)



6-jet Homestead Collection ACSB-3660
HMS (illustrated)

10-jet Bodywrap System ACSB-3660
BWS (illustrated)

All dimensions are approximate. Structure measurements must be verified against the unit to ensure proper fit.

FOOTNOTES - BEFORE ORDERING, PLEASE SPECIFY:

1. Components for standard color bathtubs equipped with Homestead whirlpool are color-coordinated.
2. Components for standard color bathtubs equipped with Bodywrap whirlpool are color-coordinated. Trim kit with metallic finish can be added, please order OPT20209 and specify trim kit color.
3. The pump on opposite side of standard location will exceed the bathtub dimensions from 8 to 10 inches.



ACA-3660

59 7/8" x 36" x 20 1/4" - Acrylic

Water Capacity: Max: 55 gal.



- Unique feature: integrated apron with large access panel when equipped with a system
- Armrests • Backrest with lumbar support
- 2 1/2 in. Above-the-Floor Rough included
- Textured floor
- Integrated tiling flange • Alcove installation



BATHTUB MODEL

No	Model	Dimensions	Pkg	Approx. weight	Std Color(s)
141137-000-XXX	Bathtub 141137-R-000-XXX Right-hand drain 141137-L-000-XXX Left-hand drain Specify: Standard colors: White (001), Bone (004), Biscuit (007)	59 7/8 X 36 X 20 1/4 in.	31.9 ft ³	93 lb	\$ 942

HOMESTEAD WHIRLPOOL SYSTEM

No	Model	Approx. weight	Std Color(s)
141137-058-XXX	Bathtub with Homestead whirlpool w/air switch ¹ 141137-R-058-XXX Right-hand drain 141137-L-058-XXX Left-hand drain	93 lb	\$ 1,756

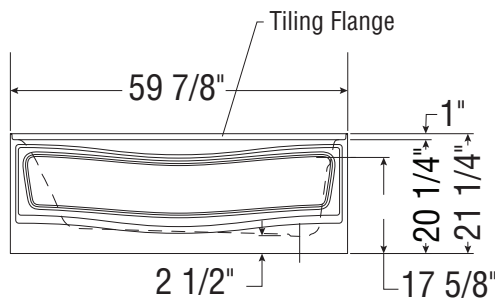
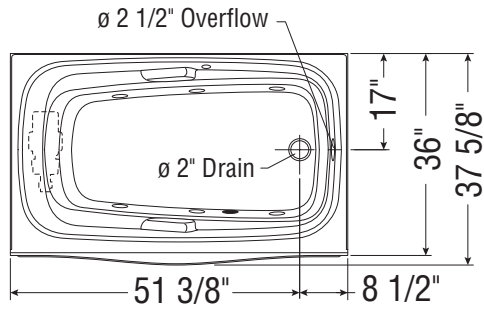
COMMON OPTIONS

No	Description	Approx. weight	List Price
OPT10168	Removable access panel for non-jetted model	N/A	\$ 83
OPT10172	In-line heater (factory-installed)	N/A	\$ 426

DOORS RECOMMENDED WITH THIS PRODUCT. REFER TO MAAX DOOR PRICE BOOK

No	Description
105410-XXX-XXX	Polar 2-panel 54 - 59 1/2 in.

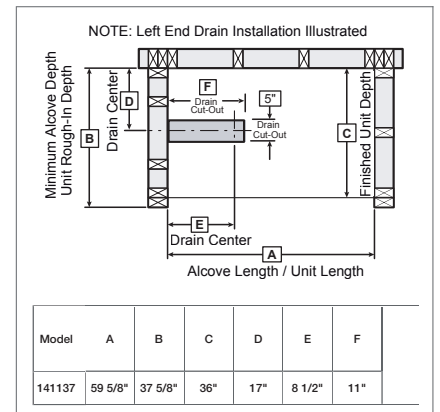
ACA-3660 (cont'd)



All dimensions are approximate. Structure measurements must be verified against the unit to ensure proper fit.

FOOTNOTES - BEFORE ORDERING, PLEASE SPECIFY:

- Components for standard color bathtubs equipped with Homestead whirlpool are color-coordinated.



ACSB-3260

60" x 32" x 21 1/2" - Acrylic

Water Capacity: Min: 37 gal. Max: 74 gal.



- Deep bathing well
- Backrest with lumbar support • Raised headrest
- Armrests • Deck for faucet
- Textured floor • End drain • Drop-in installation
- 20 1/2" deep sump • Bottom bathing well : 45" L x 21" W



BATHTUB MODEL

No	Model	Dimensions	Pkg	Approx. weight	Std Color(s)
141098-000-XXX	Bathtub 141098-000-XXX End drain Specify: Standard colors: White (001), Bone (004), Biscuit (007)	60 X 32 X 21 1/2 in.	28.7 ft ³	93 lb	\$ 840
141091-000-XXX	Apron - Non-removable solid apron kit Specify: Standard colors: White (002), Bone (004), Biscuit (007) Non-standard colors: Refer to color chart in this book.	N/A	0.1 ft ³	19 lb	\$ 247
141090-000-XXX	Apron - Removable solid apron kit Specify: Standard colors: White (002), Bone (004), Biscuit (007) Non-standard colors: Refer to color chart in this book.	N/A	3.52 ft ³	31 lb	\$ 316

HOMESTEAD WHIRLPOOL SYSTEM

No	Model	Approx. weight	Std Color(s)
141098-058-XXX	Bathtub with Homestead whirlpool w/air switch ¹ 141098-058-XXX End drain	93 lb	\$ 1,654

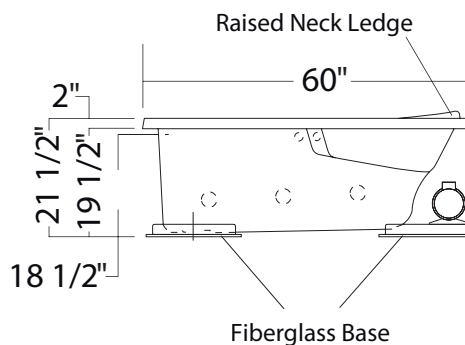
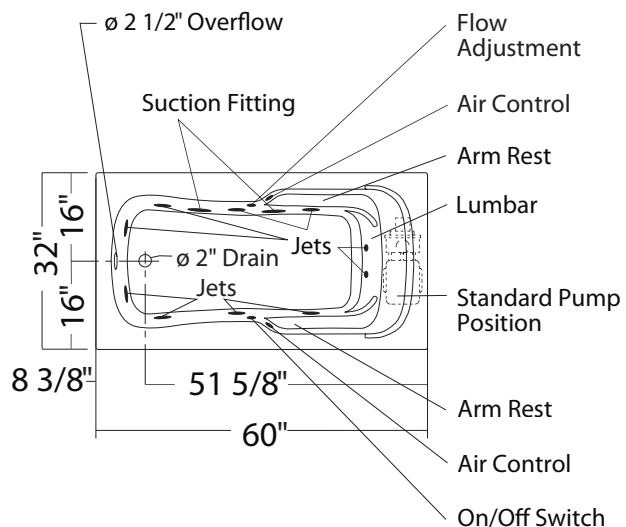
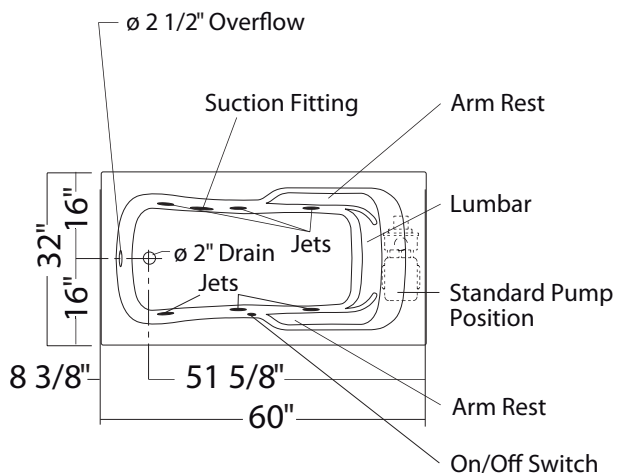
BODYWRAP WHIRLPOOL SYSTEM

No	Model	Approx. weight	Std Color(s)
141098-057	Bathtub with Bodywrap whirlpool w/micro switch - 10 jets ² 141098-057-XXX End drain	93 lb	\$ 2,048

COMMON OPTIONS

No	Description	Approx. weight	List Price
OPT10172	In-line heater (factory-installed)	N/A	\$ 426
OPT10174	Pump position opposite standard position ³	N/A	\$ 68
OPT10175-084	Designer grab bars Available color: Chrome (084)	N/A	\$ 260
OPT20139	Ozonator for Bodywrap whirlpool system	N/A	\$ 362
OPT20209-XXX	Trim kit for Bodywrap whirlpool (057) (factory installed) Available colors: Chrome (084), Polished Brass (085), Mixed Chrome and Polished Brass (164), Nickel (105)	N/A	No Charge

ACSB-3260 (cont'd)



6-jet Homestead Collection ACSB-3260
HMS (illustrated)

10-jet Bodywrap System ACSB-3260
BWS (illustrated)

All dimensions are approximate. Structure measurements must be verified against the unit to ensure proper fit.

FOOTNOTES - BEFORE ORDERING, PLEASE SPECIFY:

1. Components for standard color bathtubs equipped with Homestead whirlpool are color-coordinated.
2. Components for bathtubs equipped with Bodywrap whirlpool are color-coordinated. Trim kit with metallic finish can be added, please order opt-20209 and specify trim kit color.
3. The pump on opposite side of standard location will exceed the bathtub dimensions from 8 to 10 inches.



ACA-3260

59 7/8" x 32" x 20 1/4" - Acrylic
Water Capacity: Min: 37 gal. Max: 49 gal.



- Unique feature: integrated apron with large access panel when equipped with a system
- Armrests • Backrest with lumbar support
- 3 in. Above-the-Floor Rough included
- Textured floor
- Integrated tiling flange • Alcove installation



BATHTUB MODEL

No	Model	Dimensions	Pkg	Approx. weight	Std Color(s)
141087-000-XXX	Bathtub 141087-R-000-XXX Right-hand drain 141087-L-000-XXX Left-hand drain Specify: Standard colors: White (001), Bone (004), Biscuit (007)	59 7/8 X 32 X 20 1/4 in.	23 ft ³	77 lb	\$ 895

HOMESTEAD WHIRLPOOL SYSTEM

No	Model	Approx. weight	Std Color(s)
141087-058-XXX	Bathtub with Homestead whirlpool w/air switch ¹ 141087-R-058-XXX Right-hand drain 141087-L-058-XXX Left-hand drain	77 lb	\$ 1,709

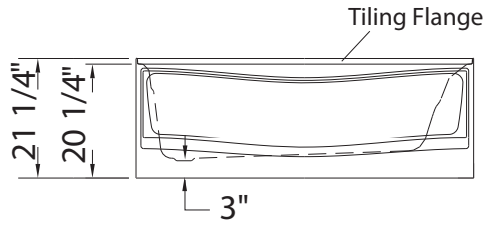
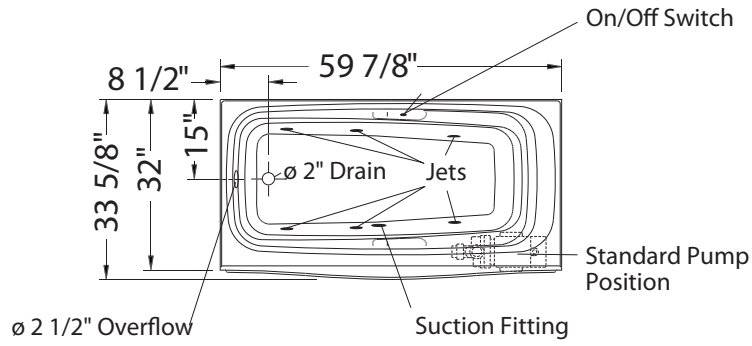
COMMON OPTIONS

No	Description	Approx. weight	List Price
OPT10168	Removable access panel for non-jetted model	N/A	\$ 83
OPT10172	In-line heater (factory-installed)	N/A	\$ 426

DOORS RECOMMENDED WITH THIS PRODUCT. REFER TO MAAX DOOR PRICE BOOK

No	Description
105410-XXX-XXX	Polar 2-panel 54 - 59 1/2 in.

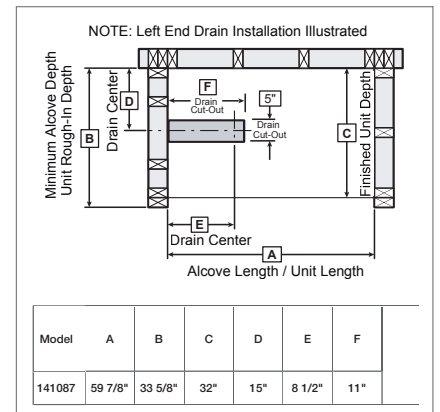
ACA-3260 (cont'd)



All dimensions are approximate. Structure measurements must be verified against the unit to ensure proper fit.

FOOTNOTES - BEFORE ORDERING, PLEASE SPECIFY:

- Components for standard color bathtubs equipped with Homestead whirlpool are color-coordinated.



ACA-3060

59 7/8" x 30" x 20 1/4" - Acrylic

Water Capacity: Min: 35 gal. Max: 46 gal.



- Unique feature: integrated apron with large access panel when equipped with a system
- Armrests • Backrest with lumbar support
- 3 in. Above-the-Floor Rough included
- Textured floor
- Integrated tiling flange • Alcove installation



BATHTUB MODEL

No	Model	Dimensions	Pkg	Approx. weight	Std Color(s)
141086-000-XXX	Bathtub 141086-R-000-XXX Right-hand drain 141086-L-000-XXX Left-hand drain Specify: Standard colors: White (001), Bone (004), Biscuit (007)	59 7/8 X 30 X 20 1/4 in.	23 ft ³	77 lb	\$ 741

HOMESTEAD WHIRLPOOL SYSTEM

No	Model	Approx. weight	Std Color(s)
141086-058-XXX	Bathtub with Homestead whirlpool w/air switch ¹ 141086-R-058-XXX Right-hand drain 141086-L-058-XXX Left-hand drain	77 lb	\$ 1,555

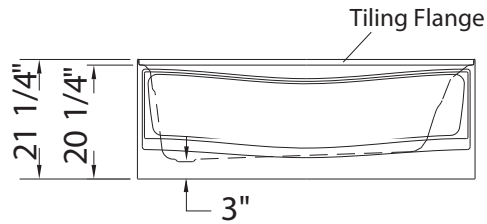
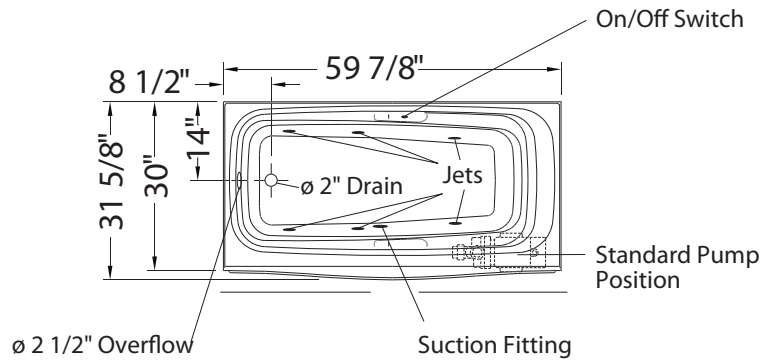
COMMON OPTIONS

No	Description	Approx. weight	List Price
OPT10168	Removable access panel for non-jetted model	N/A	\$ 83
OPT10172	In-line heater (factory-installed)	N/A	\$ 426

DOORS RECOMMENDED WITH THIS PRODUCT. REFER TO MAAX DOOR PRICE BOOK

No	Description
138400-XXX-XXX	Triple Plus 3-panel 59 1/2 in.
105410-XXX-XXX	Polar 2-panel 54 - 59 1/2 in.

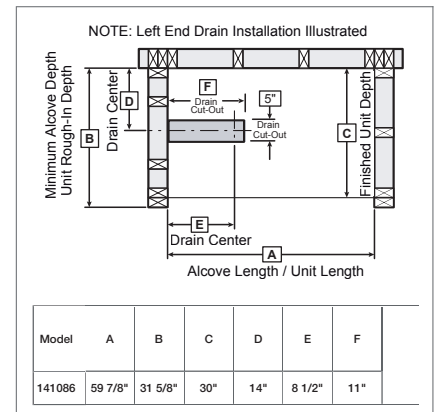
ACA-3060 (cont'd)



All dimensions are approximate. Structure measurements must be verified against the unit to ensure proper fit.

FOOTNOTES - BEFORE ORDERING, PLEASE SPECIFY:

- Components for standard color bathtubs equipped with Homestead whirlpool are color-coordinated.



ACOV-4272

72" x 42" x 21 1/2" - Acrylic
Water Capacity: Min: 61 gal. Max: 89 gal.



- Deep and spacious bathing well
- Deck for faucet
- Textured floor
- End drain • Drop-in installation
- 20 1/2" deep sump • Bottom bathing well : 47 1/2" L x 27 1/2" W



BATHTUB MODEL

No	Model	Dimensions	Pkg	Approx. weight	Std Color(s)
141113-000-XXX	Bathtub 141113-000-XXX End drain Specify: Standard colors: White (001), Bone (004), Biscuit (007)	72 X 42 X 21 1/2 in.	44.6 ft ³	118 lb	\$ 1,117
141093-000-XXX	Apron - Removable solid apron kit Specify: Standard colors: White (002), Bone (004), Biscuit (007) Non-standard colors: Refer to color chart in this book.	N/A	3.93 ft ³	35 lb	\$ 345
141094-000-XXX	Apron - Non-removable solid apron kit Specify: Standard colors: White (002), Bone (004), Biscuit (007) Non-standard colors: Refer to color chart in this book.	N/A	0.1 ft ³	22 lb	\$ 274

HOMESTEAD WHIRLPOOL SYSTEM

No	Model	Approx. weight	Std Color(s)
141113-058-XXX	Bathtub with Homestead whirlpool w/air switch ¹ 141113-058-XXX End drain	118 lb	\$ 1,931

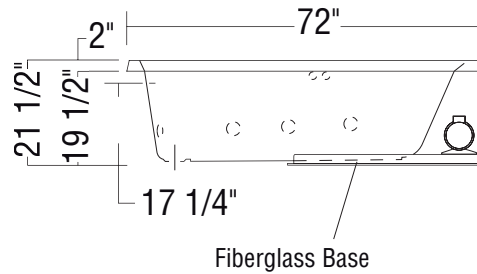
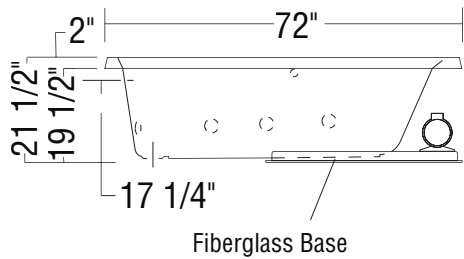
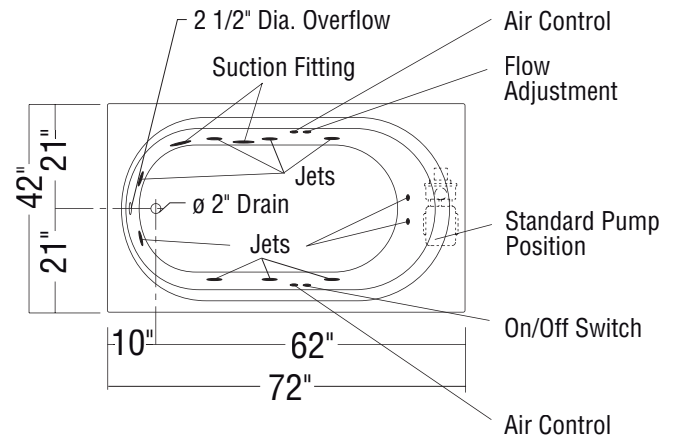
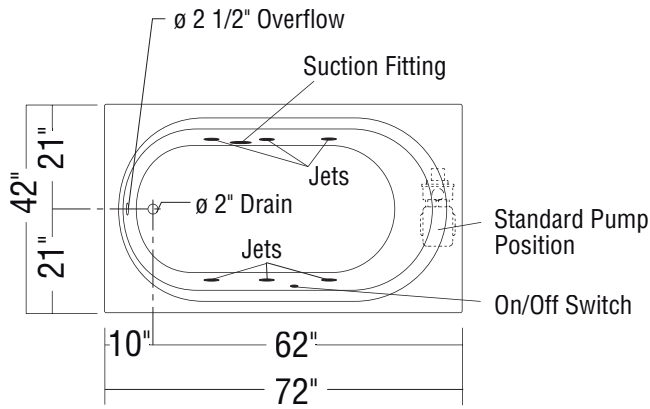
BODYWRAP WHIRLPOOL SYSTEM

No	Model	Approx. weight	Std Color(s)
141113-057-XXX	Bathtub with Bodywrap whirlpool w/micro switch ² 141113-057-XXX End drain	118 lb	\$ 2,325

COMMON OPTIONS

No	Description	Approx. weight	List Price
OPT10172	In-line heater (factory-installed)	N/A	\$ 426
OPT10174	Pump position opposite standard position ³	N/A	\$ 68
OPT10175-084	Designer grab bars Available color: Chrome (084)	N/A	\$ 260
OPT20139	Ozonator for Bodywrap whirlpool system	N/A	\$ 362
OPT20209-XXX	Trim kit for Bodywrap whirlpool (057) (factory installed) Available colors: Chrome (084), Polished Brass (085), Mixed Chrome and Polished Brass (164), Nickel (105)	N/A	No Charge

ACOV-4272 (cont'd)



6-jet Homestead Collection ACOV-4272
HMS (illustrated)

10-jet Bodywrap System ACOV-4272
BWS (illustrated)

All dimensions are approximate. Structure measurements must be verified against the unit to ensure proper fit.

FOOTNOTES - BEFORE ORDERING, PLEASE SPECIFY:

1. Components for standard color bathtubs equipped with Homestead whirlpool are color-coordinated.
2. Components for standard color bathtubs equipped with Bodywrap whirlpool are color-coordinated. Trim kit with metallic finish can be added, please order OPT20209 and specify trim kit color.
3. The pump on opposite side of standard location will exceed the bathtub dimensions from 8 to 10 inches.



ACOO-4272

72" x 41" x 22 1/2" - Acrylic
Water Capacity: Min: 57 gal. Max: 89 gal.



- Armrests at each tub end
- Raised headrests
- Symmetrical backrests with lumbar supports
- Deep bathing well
- Textured floor
- Deck for faucet
- Center drain
- Drop-in installation
- 20 1/2" deep sump
- Bottom bathing well : 38 1/2" L x 26 1/2" W



ACRYLIC OVAL BATHTUBS

BATHTUB MODEL

No	Model	Dimensions	Pkg	Approx. weight	Std Color(s)
141109-000-XXX	Bathtub 141109-000-XXX Center drain Specify: Standard colors: White (001), Bone (004), Biscuit (007)	72 X 41 X 22 1/2 in.	45.6 ft ³	119 lb	\$ 1,137

BODYWRAP WHIRLPOOL SYSTEM

No	Model	Approx. weight	Std Color(s)
141109-057-XXX	Bathtub with Bodywrap whirlpool w/micro switch ¹ 141109-057-XXX Center drain	119 lb	\$ 2,345

COMMON OPTIONS

No	Description	Approx. weight	List Price
OPT10174	Pump position opposite standard position	N/A	\$ 68
OPT10172	In-line heater (factory-installed)	N/A	\$ 426
OPT20139	Ozonator for Bodywrap whirlpool system	N/A	\$ 362
OPT20209-XXX	Trim kit for Bodywrap whirlpool (057) (factory installed) Available colors: Chrome (084), Polished Brass (085), Mixed Chrome and Polished Brass (164), Nickel (105)	N/A	No Charge

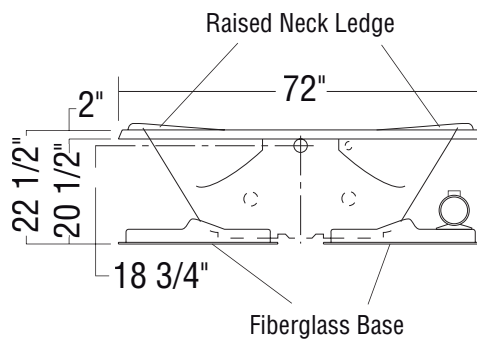
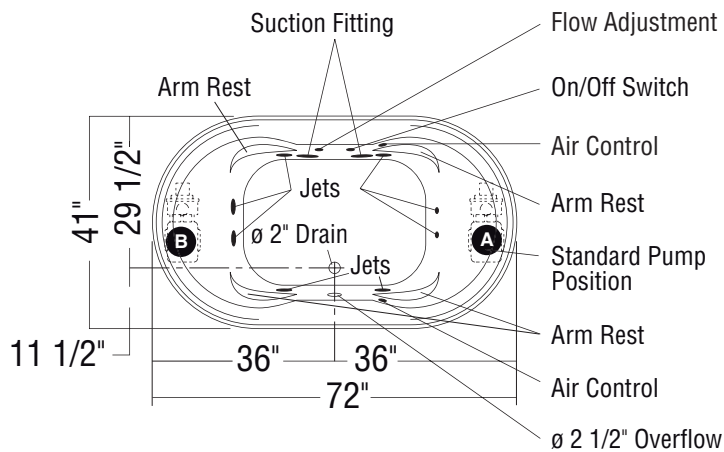
UPGRADE BEFORE ORDERING, NOT AFTER INSTALLATION



Add a touch of luxury to the AKER [Bodywrap whirlpool system](#) with options such as metal trim kit, an ozonator or an in-line water heater.



ACOO-4272 (cont'd)



8-jet Bodywrap System ACOO-4272 / BWS (illustrated)

All dimensions are approximate. Structure measurements must be verified against the unit to ensure proper fit.

FOOTNOTES - BEFORE ORDERING, PLEASE SPECIFY:

1. Components for standard color bathtubs equipped with Bodywrap whirlpool are color-coordinated. Trim kit with metallic finish can be added, please order OPT20209 and specify trim kit color.



ACRYOO-4272

71 3/4" x 41 1/8" x 21 1/4" - Acrylic
Water Capacity: Max: 66 gal.



- Spacious bathing well
- Armrests
- Textured floor
- End drain
- Drop-in installation



BATHTUB MODEL

No	Model	Dimensions	Pkg	Approx. weight	Std Color(s)
141144-000-XXX	Bathtub 141144-000-XXX End drain Specify: Standard colors: White (001), Bone (004), Biscuit (007)	71 3/4 X 41 1/8 X 21 1/4 in.	44.6 ft ³	119 lb	\$ 983

HOMESTEAD WHIRLPOOL SYSTEM

No	Model	Approx. weight	Std Color(s)
141144-058-XXX	Bathtub with Homestead whirlpool w/air switch ¹ 141144-058-XXX End drain	119 lb	\$ 1,797

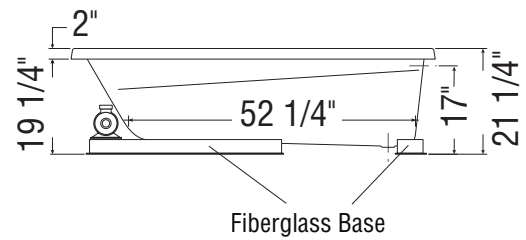
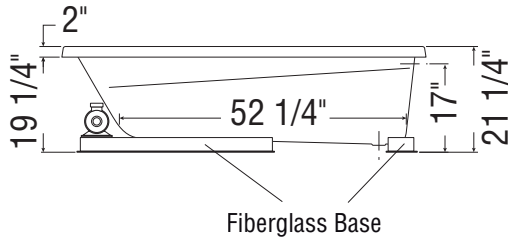
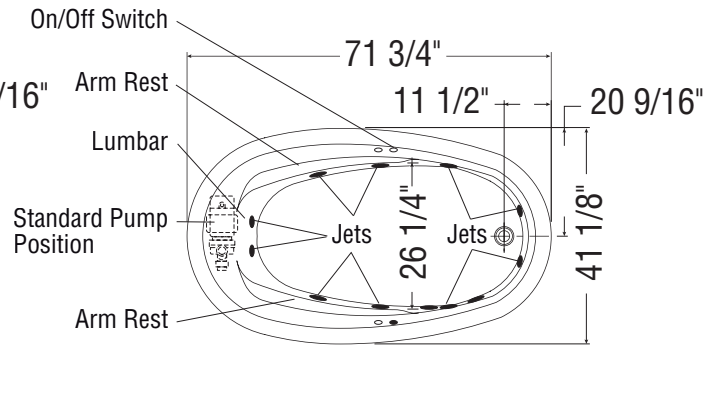
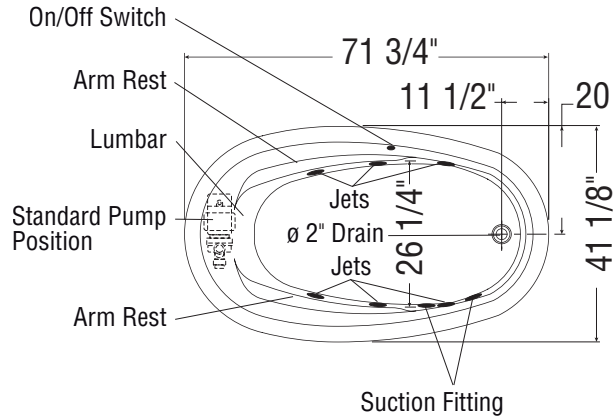
BODYWRAP WHIRLPOOL SYSTEM

No	Model	Approx. weight	Std Color(s)
141144-057-XXX	Bathtub with Bodywrap whirlpool w/micro switch ² 141144-057-XXX End drain	119 lb	\$ 2,191

COMMON OPTIONS

No	Description	Approx. weight	List Price
OPT10172	In-line heater (factory-installed)	N/A	\$ 426
OPT10174	Pump position opposite standard position ³	N/A	\$ 68
OPT20139	Ozonator for Bodywrap whirlpool system	N/A	\$ 362
OPT20209-XXX	Trim kit for Bodywrap whirlpool (057) (factory installed) Available colors: Chrome (084), Polished Brass (085), Mixed Chrome and Polished Brass (164), Nickel (105)	N/A	No Charge

ACRYOO-4272 (cont'd)



6-jet Homestead System ACRYOO-4272
HMS (illustrated)

10-jet Bodywrap System ACRYOO-4272
BWS (illustrated)

All dimensions are approximate. Structure measurements must be verified against the unit to ensure proper fit.

FOOTNOTES - BEFORE ORDERING, PLEASE SPECIFY:

1. Components for standard color bathtubs equipped with Homestead whirlpool are color-coordinated.
2. Components for standard color bathtubs equipped with Bodywrap whirlpool are color-coordinated. Trim kit with metallic finish can be added, please order OPT20209 and specify trim kit color.
3. The pump on opposite side of standard location will exceed the bathtub dimensions from 8 to 10 inches.



ACOV-4260

60" x 42" x 21 1/2" - Acrylic

Water Capacity: Min: 45 gal. Max: 71 gal.



- Spacious bathing well
- Deck for faucet
- Textured floor
- End drain • Drop-in installation
- 20 1/4" deep sump • Bottom bathing well : 42" L x 26 1/2" W



BATHTUB MODEL

No	Model	Dimensions	Pkg	Approx. weight	Std Color(s)
141111-000-XXX	Bathtub 141111-000-XXX End drain Specify: Standard colors: White (001), Bone (004), Biscuit (007)	60 X 42 X 21 1/2 in.	37.2 ft ³	110 lb	\$ 1,024
141091-000-XXX	Apron - Non-removable solid apron kit Specify: Standard colors: White (002), Bone (004), Biscuit (007) Non-standard colors: Refer to color chart in this book.	N/A	0.1 ft ³	19 lb	\$ 247
141090-000-XXX	Apron - Removable solid apron kit Specify: Standard colors: White (002), Bone (004), Biscuit (007) Non-standard colors: Refer to color chart in this book.	N/A	3.52 ft ³	31 lb	\$ 316

HOMESTEAD WHIRLPOOL SYSTEM

No	Model	Approx. weight	Std Color(s)
141111-058-XXX	Bathtub with Homestead whirlpool w/air switch ¹ 141111-058-XXX End drain	110 lb	\$ 1,838

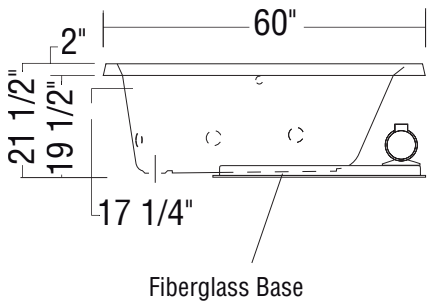
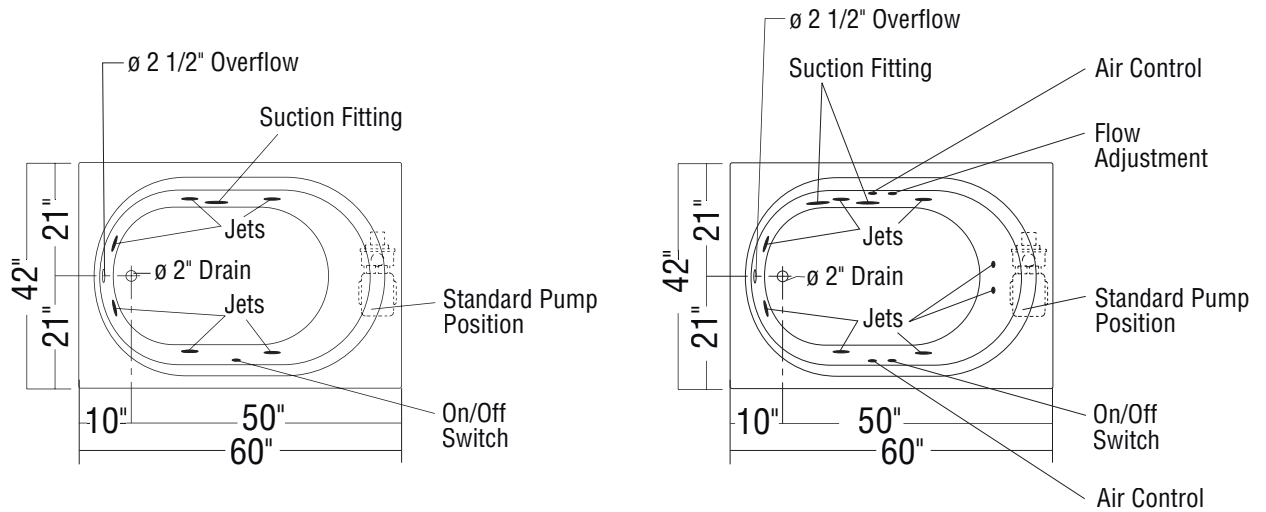
BODYWRAP WHIRLPOOL SYSTEM

No	Model	Approx. weight	Std Color(s)
141111-057-XXX	Bathtub with Bodywrap whirlpool w/micro switch ² 141111-057-XXX End drain	110 lb	\$ 2,232

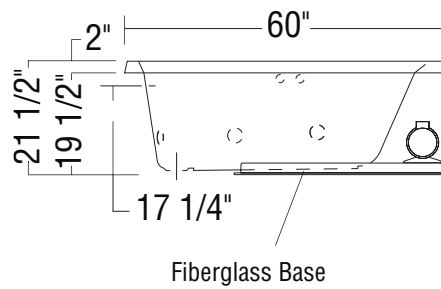
COMMON OPTIONS

No	Description	Approx. weight	List Price
OPT10172	In-line heater (factory-installed)	N/A	\$ 426
OPT10174	Pump position opposite standard position ³	N/A	\$ 68
OPT20139	Ozonator for Bodywrap whirlpool system	N/A	\$ 362
OPT20209-XXX	Trim kit for Bodywrap whirlpool (057) (factory installed) Available colors: Chrome (084), Polished Brass (085), Mixed Chrome and Polished Brass (164), Nickel (105)	N/A	No Charge

ACOV-4260 (cont'd)



6-jet Homestead Collection ACOV-4260
HMS (illustrated)



8-jet Bodywrap System ACOV-4260
BWS (illustrated)

All dimensions are approximate. Structure measurements must be verified against the unit to ensure proper fit.

FOOTNOTES - BEFORE ORDERING, PLEASE SPECIFY:

1. Components for standard color bathtubs equipped with Homestead whirlpool are color-coordinated.
2. Components for standard color bathtubs equipped with Bodywrap whirlpool are color-coordinated. Trim kit with metallic finish can be added, please order OPT20209 and specify trim kit color.
3. The pump on opposite side of standard location will exceed the bathtub dimensions from 8 to 10 inches.



ACRYC2-6060

59" x 59" x 20 3/4" - Acrylic
Water Capacity: Max: 100 gal.



- Spacious bathing well
- 2 backrests with lumbar support
- Armrests • Deck for faucet
- Textured floor
- Center drain • Drop-in installation



BATHTUB MODEL

No	Model	Dimensions	Pkg	Approx. weight	Std Color(s)
141119-000-XXX	Bathtub 141119-000-XXX Center drain Specify: Standard colors: White (001), Bone (004), Biscuit (007)	59 X 59 X 20 3/4 in.	52 ft ³	126 lb	\$ 1,130

HOMESTEAD WHIRLPOOL SYSTEM

No	Model	Approx. weight	Std Color(s)
141119-058-XXX	Bathtub with Homestead whirlpool w/air switch ¹ 141119-058-XXX Center drain	126 lb	\$ 1,944

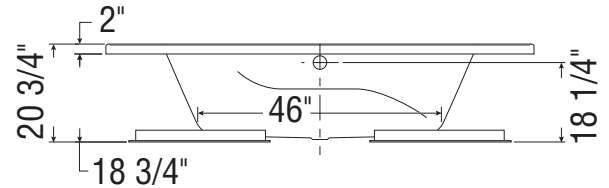
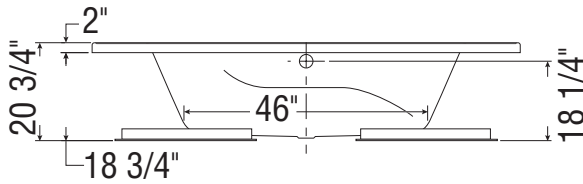
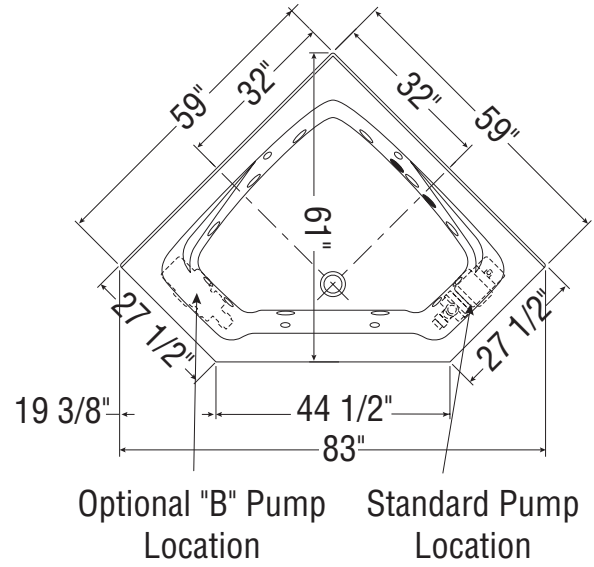
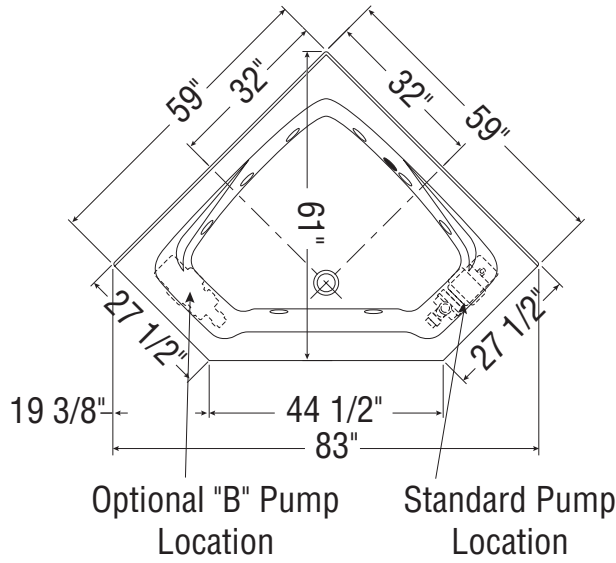
BODYWRAP WHIRLPOOL SYSTEM

No	Model	Approx. weight	Std Color(s)
141119-057-XXX	Bathtub with Bodywrap whirlpool w/micro switch ² 141119-057-XXX Center drain	126 lb	\$ 2,338

COMMON OPTIONS

No	Description	Approx. weight	List Price
OPT10172	In-line heater (factory-installed)	N/A	\$ 426
OPT10174	Pump position opposite standard position	N/A	\$ 68
OPT20139	Ozonator for Bodywrap whirlpool system	N/A	\$ 362
OPT20209-XXX	Trim kit for Bodywrap whirlpool (057) (factory installed) Available colors: Chrome (084), Polished Brass (085), Mixed Chrome and Polished Brass (164), Nickel (105)	N/A	No Charge

ACRYC2-6060 (cont'd)



8-jet Homestead System ACRYC2-6060
HMS (illustrated)

12-jet Bodywrap System ACRYC2-6060
BWS (illustrated)

All dimensions are approximate. Structure measurements must be verified against the unit to ensure proper fit.

FOOTNOTES - BEFORE ORDERING, PLEASE SPECIFY:

1. Components for standard color bathtubs equipped with Homestead whirlpool are color-coordinated.
2. Components for standard color bathtubs equipped with bodywrap whirlpool are color-coordinated. Trim kit with metallic finish can be added, please order opt-20209 and specify trim kit color.



Recommended: MAAX® SHOWER DOORS WITH AKER BATHTUBS.

Why choose MAAX® shower doors:

- ✓ Worry-Free Experience
- ✓ Lasting Elegance
- ✓ 10-year warranty

KEY FEATURES AT A GLANCE



Soft Close

The Soft Close by MAAX feature eliminates accidental slams and pinched fingers by easing the door shut no matter how hard you slam it.



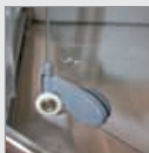
Glass Thickness

The thickness of the glass affects the overall look, feel, stability and price of a shower door. MAAX shower doors are made of first quality tempered glass and come in a variety of thicknesses: 1/4" (6 mm), 5/16" (8 mm) and 3/8" (10 mm). Choose the right thickness for the right look at the right price.



Clip and Push System

Many MAAX shower doors are equipped with easy to unclip bottom door rollers to simplify maintenance. Simply unclip, slightly push the door panel and clean away!



Reversible Header

Selected MAAX slider door headers are reversible which allow you to choose between two designs. Header styles may vary per door model.



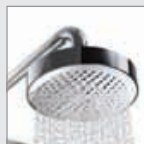
EZ Kleen® Track System

MAAX doors are easy to clean. The rollers are designed to be removed easily, which makes it simple to clean. On specified alcove sliding doors, the EZ Kleen® track system is offered.



COLOR CHART

Panel Finishes (Tempered Glass)



CLEAR (900)



DESIGN #49 (949)



DESIGN #53 (953)



EFFERVESCENCE



FROST (986)



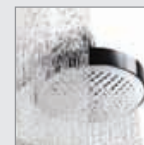
HAMMER (965)



LINEN



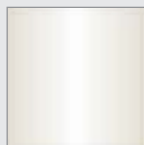
MISTELITE (981)



RAINDROP (970)

Note: Not all panel finishes are available for all door models and sizes.

Aluminum Frame Finishes



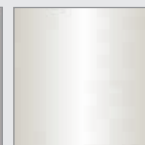
WHITE (001)-(003)



CHROME (084)



NICKEL (105)



BRUSHED NICKEL (305)



MAT SILVER (170)



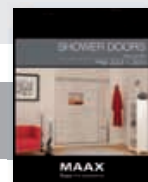
SATIN NICKEL (171)




DARK BRONZE (172)

Note: Not all aluminum frame are available for all door models and sizes.

For more information, please consult MAAX® Shower Doors Price List.



MAAX[®] TUB SHOWER DOORS WITH AKER BATHTUBS

<p>3 folding panels</p> 	<p>39 1/2 x 56 1/2 IN.</p> <p>Door Opening 3-PANEL FOLDING</p> <p>Frame Finish (084)</p> <p>Panel Finish CLEAR (900)</p>	<p>Canvas 2-Panel</p> 	<p>R EZ</p> <p>54-59 1/2 x 55 1/2 IN.</p> <p>Door Opening 2-PANEL SLIDER</p> <p>Frame Finish (170)</p> <p>Panel Finish CLEAR (900)</p>	<p>Kameleon 2-Panel NEW</p> 	<p>6 1/4 8 5/16 MM IN. MM IN.</p> <p>SC R</p> <p>51-55 X 57 IN 55-59 X 57 IN</p> <p>Door Opening 2-PANEL SLIDER</p> <p>Frame Finish (084) (305) (172)</p> <p>Panel Finish CLEAR (900) MISTELITE (981) LINEN (988) EFFERVESCE (989)</p>
<p>Halo Tub Shield 1-Panel</p> 	<p>8 5/16 NEW MM IN.</p> <p>60 X 56 IN</p> <p>Door Opening 1-PANEL SLIDER</p> <p>Frame Finish (084)</p> <p>Panel Finish CLEAR (900)</p>	<p>Halo 2-Panel NEW</p> 	<p>8 5/16 R EZ MM IN.</p> <p>56 1/2 - 59 X 59 IN</p> <p>Door Opening 2-PANEL SLIDER</p> <p>Frame Finish (084)</p> <p>Panel Finish CLEAR (900)</p>	<p>Polar 2-Panel</p> 	<p>EZ</p> <p>54-59 1/2 x 57 3/8 IN.</p> <p>Door Opening 2-PANEL SLIDER</p> <p>Frame Finish (084) (171)</p> <p>Panel Finish RAINDROP (970)</p>
<p>Session 2-Panel</p> 	<p>6 1/4 R EZ MM IN.</p> <p>54-59 1/2 x 57 3/8 IN.</p> <p>Door Opening 2-PANEL SLIDER</p> <p>Frame Finish (084)</p> <p>Panel Finish CLEAR (900)</p>	<p>Triple Plus 3-Panel</p> 	<p>52 1/2 x 56 IN. 55 x 56 IN. 59 1/2 x 56 IN. 64 1/2 x 56 IN. 72 x 56 IN.</p> <p>Door Opening 3-PANEL SLIDER</p> <p>Frame Finish (001) (084) (105)</p> <p>Panel Finish CLEAR (900) DESIGN #49 (949) RAINDROP (970) MIRROR (-)</p>	<p>Tub Shield 1-Panel</p> 	<p>30 x 56 1/2 IN.</p> <p>Door Opening 1-PANEL PIVOT</p> <p>Frame Finish (084)</p> <p>Panel Finish CLEAR (900)</p>

For more information, please consult **MAAX[®]** Shower Doors Price List.



TUB SHOWERS

TOP
SHOWERS



CM-60 TUB SHOWER

REFERENCE GUIDE: ONE-PIECE TUB SHOWERS

GELCOAT TUB SHOWERS

SBW-3672 p. 192

	
ALCOVE	1P 72 x 36 x 77

GTW-60 p. 194

	
ALCOVE	1P 60 x 48 x 74

GTW-4260 p. 196

	
ALCOVE	1P 60 x 41 x 74

GTWT-4260 p. 198

	
ALCOVE	1P 60 x 35 x 71

TS 3660 p. 200

	
ALCOVE	1P 60 x 36 x 75

SBW-3360 p. 203

	
ALCOVE	1P 60 x 33 x 77

REFERENCE GUIDE: ONE-PIECE TUB SHOWERS (cont'd)

GELCOAT TUB SHOWERS (CONT'D)

TST-3360 p. 206



ALCOVE 1P 60 x 33 x 77

GB-60 p. 208



ALCOVE 1P 60 x 33 x 72

CM-60 p. 211



ALCOVE 1P 60 x 32 x 72

CMT-60 p. 213



ALCOVE 1P 60 x 32 x 72

TS-3060 p. 215



ALCOVE 1P 60 x 30 x 73

SYSTEMS		
	HOMESTEAD WHIRLPOOL	p.11
	BODYWRAP WHIRLPOOL	p.10

REFERENCE GUIDE: ONE-PIECE TUB SHOWERS (cont'd)

ACRYLIC TUB SHOWERS

ACTS-60 p. 217

	
	ALCOVE 1P 60 x 34 x 84


ACTSDM-3360 p. 219

	
	ALCOVE 1P 60 x 33 x 87

ACTS-3360 p. 222

	
	ALCOVE 1P 60 x 33 x 75

SYSTEMS

	BODYWRAP WHIRLPOOL	p.10
--	--------------------	------

SUMMARY: ONE-PIECE TUB SHOWERS

NAME	MODEL	EXTERNAL DIMENSIONS	MATERIAL	SYSTEM	INSTALLATION		DRAIN LOCATION	APRON	TOWEL BAR	HANDLE	INTEGRATED SHELVING	ROOF CAP	DOOR	PAGE
					ALCOVE	# OF PIECES								
GELCOAT TUB SHOWERS														
SBW-3672	141006	72 x 36 x 77	Gelcoat	∞∞	•	1P	L, R		•		2		Opt.	192
GTW-60	141009	60 x 48 x 74	Gelcoat	∞∞	•	1P	Center		•		2		Opt.	194
GTW-4260	141007	60 x 41 x 74	Gelcoat	∞∞	•	1P	L, R		•		2		Opt.	196
GTWT-4260	141008	60 x 35 x 71	Gelcoat	∞∞	•	1P	Center, L or R		•				Opt.	198
TS 3660	141227	60 x 36 x 75	Gelcoat	∞∞	•	1P	L, R			Incl.	2		Opt.	200
SBW-3360	141002	60 x 33 x 77	Gelcoat	∞∞	•	1P	L, R		•		2	Opt.	Opt.	203
TST-3360	105215	60 x 33 x 77	Gelcoat		•	1P	L, R	Incl.	•		2		Opt.	206
GB-60	141004	60 x 33 x 72	Gelcoat	∞∞	•	1P	L, R		•		1	Opt.	Opt.	208
CM-60	141000	60 x 32 x 72	Gelcoat		•	1P	L, R		•		4		Opt.	211
CMT-60	141185	60 x 32 x 72	Gelcoat		•	1P	L, R		•		4		Opt.	213
TS-3060	141132	60 x 30 x 73	Gelcoat		•	1P	L, R		•		4		Opt.	215
ACRYLIC TUB SHOWERS														
ACTS-60	141145	60 x 34 x 84	Acrylic	∞∞	•	1P	L, R		•		2		Opt.	217
ACTSDM-3360	141015	60 x 33 x 87	Acrylic	∞∞	•	1P	L, R			Opt.	4		Opt.	219
ACTS-3360	141014	60 x 33 x 75	Acrylic	∞∞	•	1P	L, R	Incl.	•	Opt.	4		Opt.	222

SYSTEMS LEGEND	
	BODYWRAP WHIRLPOOL p.10
	HOMESTEAD WHIRLPOOL p.11

SBW-3672

72" x 36" x 77" - Gelcoat

Water Capacity: Min: 39 gal. Max: 57 gal.



- One-piece gelcoated fiberglass tub-shower
- Built-in back wall shelves with integrated soap dish
- Standard clear acrylic bar with optional metallic finishes
- Right or left-hand drain • Textured floor
- 17 1/4" deep sump • Bottom bathing well : 47" L x 20" W



GELCOAT TUB SHOWERS

TUB SHOWER MODEL

No	Model	Dimensions	Pkg	Approx. weight	Std Color(s)	Non-std Colors
141006-000-XXX	1-piece tub shower 141006-R-000-XXX Right-hand drain 141006-L-000-XXX Left-hand drain Specify: Standard colors: White (002), Bone (004), Biscuit (007) Non-standard colors: Refer to color chart in this book.	72 X 36 X 77 in.	123.4 ft ³	167 lb	\$ 965	\$ 1,165

BODYWRAP WHIRLPOOL SYSTEM

No	Model	Approx. weight	Std Color(s)	Non-std Colors
141006-057-XXX	Tub shower with Bodywrap whirlpool w/micro switch ¹ 141006-R-057-XXX Right-hand drain 141006-L-057-XXX Left-hand drain Specify: Standard colors: White (002), Bone (004), Biscuit (007) Non-standard colors: Refer to color chart in this book.	167 lb	\$ 2,173	\$ 2,373

COMMON OPTIONS

No	Description	Approx. weight	List Price
OPT10180-105	Brushed Nickel grab bar replacing acrylic bar	N/A	\$ 50
OPT10180-084	Chrome grab bar replacing acrylic bar	N/A	\$ 26
OPT10180-085	Polished Brass grab bar replacing acrylic bar	N/A	\$ 50

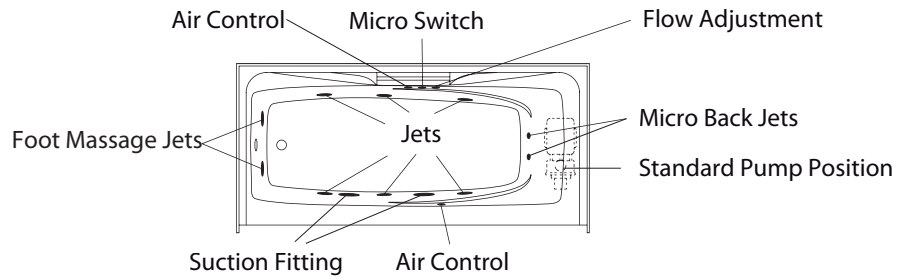
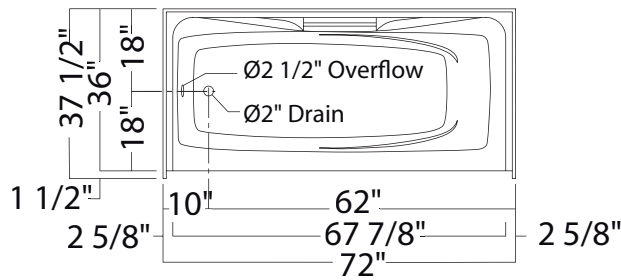
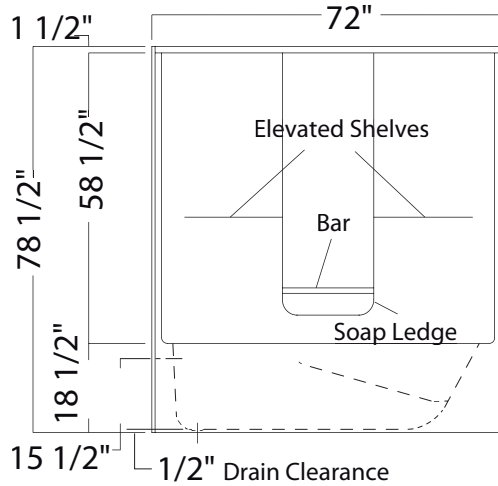
WHIRLPOOL OPTIONS

No	Description	Approx. weight	List Price
OPT10172	In-Line Heater (factory installed)	N/A	\$ 426
OPT10174	Pump position opposite standard position ²	N/A	\$ 68
OPT20139	Ozonator for Bodywrap whirlpool system	N/A	\$ 362
OPT20209-XXX	Trim kit for Bodywrap whirlpool (057) (factory installed) Available colors: Chrome (084), Polished Brass (085), Mixed Chrome and Polished Brass (164), Nickel (105) List price: Included	N/A	No Charge

DOORS RECOMMENDED WITH THIS PRODUCT. REFER TO MAAX DOOR PRICE BOOK

No	Description
138304-XXX-XXX	Triple Plus 3-panel 72 in.
135130-XXX-XXX	Tub Shield 1-panel 30 in.
135630-XXX-XXX	Tub Shield 1-panel 30 in.
135340-XXX-XXX	3 folding panels 39 1/2 in.

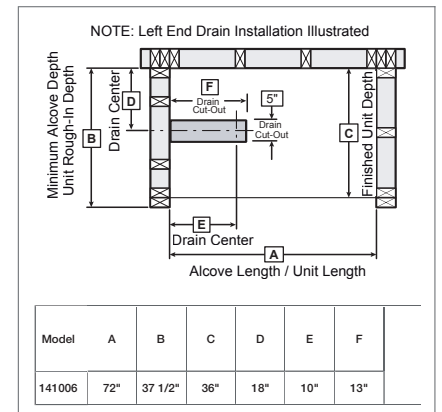
SBW-3672 (cont'd)



All dimensions are approximate. Structure measurements must be verified against the unit to ensure proper fit.

FOOTNOTES - BEFORE ORDERING, PLEASE SPECIFY:

- Components for standard color bathtubs equipped with Bodywrap Whirlpool are color-coordinated. Trim kit with metallic finish can be added, please order OPT 20209 and specify trim kit color.
- The pump on opposite side of standard location will exceed the bathtub dimensions from 8 to 10 inches.



GTW-60

60" x 47 1/2" x 73 1/2 - 75 1/4" -

Gelcoat

Water Capacity: Min: 40 gal. Max: 63 gal.

- One-piece gelcoated fiberglass tub-shower with textured recessed front step
- Built-in back wall shelves with integrated soap dish
- Standard clear acrylic bar with optional metallic finishes
- Back center drain • Textured floor
- 16 1/4" deep sump • Bottom bathing well : 42" L x 24" W



GELCOAT TUB SHOWERS

TUB SHOWER MODEL

No	Model	Dimensions	Pkg	Approx. weight	Std Color(s)	Non-std Colors
141009-000-XXX	1-piece tub shower 141009-000-XXX Center drain Specify: Standard colors: White (002), Bone (004), Biscuit (007) Non-standard colors: Refer to color chart in this book.	60 X 47 1/2 X 73 1/2 - 75 1/4 in.	126.77 ft ³	193 lb	\$ 1,016	\$ 1,216
	1-piece tub shower AFR 141009-AFR-000-XXX Above-the-floor rough, center drain Specify: Standard colors: White (002), Bone (004), Biscuit (007) Non-standard colors: Refer to color chart in this book.					

HOMESTEAD WHIRLPOOL SYSTEM

No	Model	Approx. weight	Std Color(s)	Non-std Colors
141009-058-XXX	Tub shower with Homestead whirlpool w/air switch ^{1 2} 141009-058-XXX Center drain 141009-AFR-058-XXX Above-the-floor rough, center drain Specify: Standard colors: White (002), Bone (004), Biscuit (007)	193 lb	\$ 1,830	N/A

COMMON OPTIONS

No	Description	Approx. weight	List Price
OPT10180-105	Brushed Nickel grab bar replacing acrylic bar	N/A	\$ 50
OPT10180-084	Chrome grab bar replacing acrylic bar	N/A	\$ 26
OPT10180-085	Polished Brass grab bar replacing acrylic bar	N/A	\$ 50

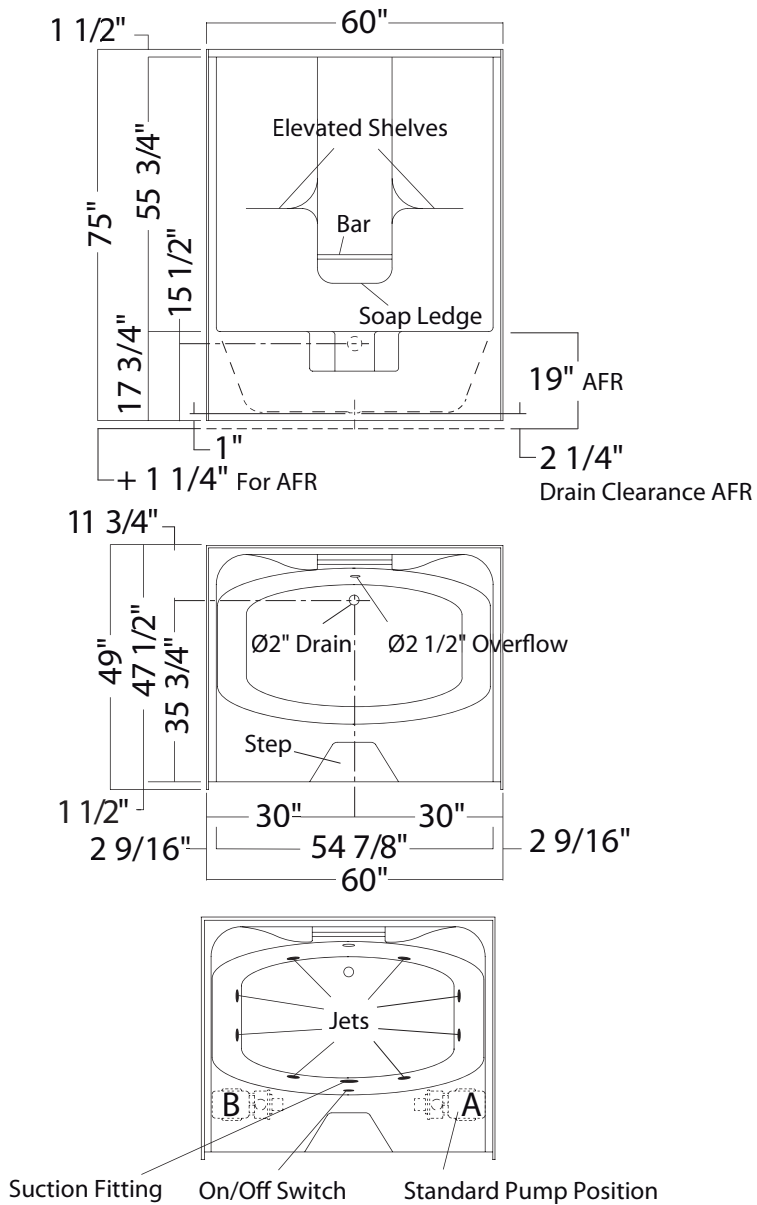
WHIRLPOOL OPTIONS

No	Description	Approx. weight	List Price
OPT10172	In-Line Heater (factory installed)	N/A	\$ 426
OPT10174	Pump position opposite standard position	N/A	\$ 68

DOORS RECOMMENDED WITH THIS PRODUCT. REFER TO MAAX DOOR PRICE BOOK

No	Description
138308-XXX-XXX	Triple Plus 3-panel 55 in.
136302-XXX-XXX	Decor Plus 2-panel 56 3/4 in.
105409-XXX-XXX	Mika 2-panel 54 - 59 1/2 in.
104031-XXX-XXX	Canvas 2-panel 54 - 59 1/2 in.

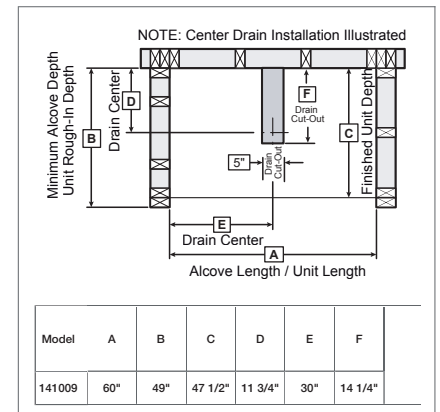
GTW-60 (cont'd)



All dimensions are approximate. Structure measurements must be verified against the unit to ensure proper fit.

FOOTNOTES - BEFORE ORDERING, PLEASE SPECIFY:

1. Components for standard color tub showers equipped with Homestead Whirlpool are color-coordinated.
2. Center drain only.



GTW-4260

60" x 40 1/2" x 73 1/2" - 76 1/4" -

Gelcoat

Water Capacity: Min: 45 gal. Max: 65 gal.

- One-piece gelcoated fiberglass tub-shower
- Built-in back wall shelves with integrated soap dish
- Right or left-hand drain
- Standard clear acrylic bar with optional metallic finishes
- Textured floor
- Optional unique feature: Above-the-Floor Rough
- 16 3/4" deep sump
- Bottom bathing well : 46" L x 24" W



GELCOAT TUB SHOWERS

TUB SHOWER MODEL

No	Model	Dimensions	Pkg	Approx. weight	Std Color(s)	Non-std Colors
141007-000-XXX	1-piece tub shower 141007-R-000-XXX Right-hand drain 141007-L-000-XXX Left-hand drain Specify: Standard colors: White (002), Bone (004), Biscuit (007) Non-standard colors: Refer to color chart in this book.	60 X 40 1/2 X 73 1/2 - 76 1/4 in.	110.23 ft ³	156 lb	\$ 964	\$ 1,164
	1-piece tub shower AFR 141007-AFR/R-000-XXX Above-the-floor rough, right-hand drain 141007-AFR/L-000-XXX Above-the-floor rough, left-hand drain Specify: Standard colors: White (002), Bone (004), Biscuit (007) Non-standard colors: Refer to color chart in this book.					

BODYWRAP WHIRLPOOL SYSTEM

No	Model	Approx. weight	Std Color(s)	Non-std Colors
141007-057-XXX	Tub shower with Bodywrap whirlpool w/micro switch ¹ 141007-R-057-XXX Right-hand drain 141007-L-057-XXX Left-hand drain 141007-AFR/R-057-XXX Above-the-floor rough, right-hand drain 141007-AFR/L-057-XXX Above-the-floor rough, left-hand drain Specify: Standard colors: White (002), Bone (004), Biscuit (007) Non-standard colors: Refer to color chart in this book.	156 lb	\$ 2,172	\$ 2,372

COMMON OPTIONS

No	Description	Approx. weight	List Price
OPT10180-105	Brushed Nickel grab bar replacing acrylic bar	N/A	\$ 50
OPT10180-084	Chrome grab bar replacing acrylic bar	N/A	\$ 26
OPT10180-085	Polished Brass grab bar replacing acrylic bar	N/A	\$ 50

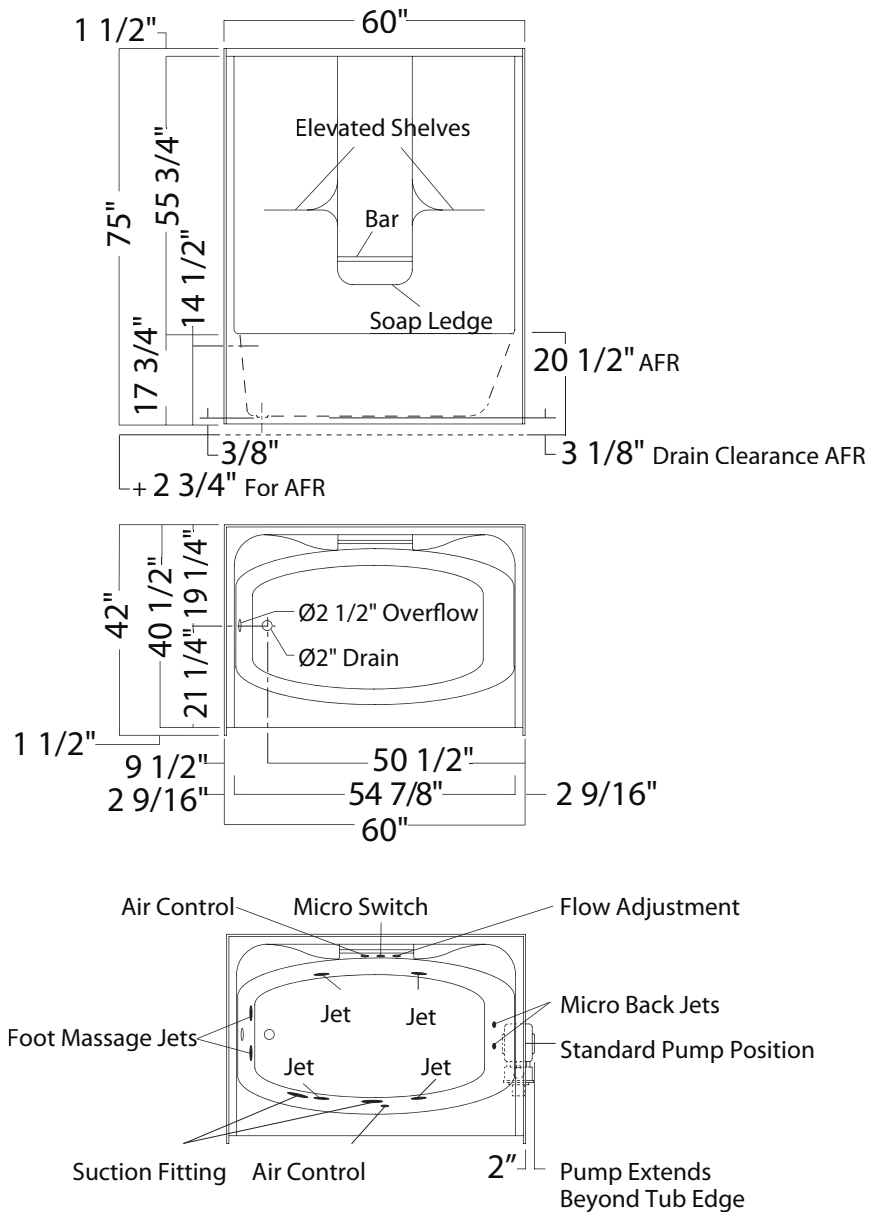
WHIRLPOOL OPTIONS

No	Description	Approx. weight	List Price
OPT10172	In-Line Heater (factory installed)	N/A	\$ 426
OPT10174	Pump position opposite standard position ²	N/A	\$ 68
OPT20139	Ozonator for Bodywrap whirlpool system	N/A	\$ 362
OPT20209-XXX	Trim kit for Bodywrap whirlpool (057) (factory installed) Available colors: Chrome (084), Polished Brass (085), Mixed Chrome and Polished Brass (164), Nickel (105) List price: Included	N/A	No Charge

DOORS RECOMMENDED WITH THIS PRODUCT. REFER TO MAAX DOOR PRICE BOOK

No	Description
138308-XXX-XXX	Triple Plus 3-panel 55 in.
136302-XXX-XXX	Decor Plus 2-panel 56 3/4 in.
105409-XXX-XXX	Mika 2-panel 54 - 59 1/2 in.
104031-XXX-XXX	Canvas 2-panel 54 - 59 1/2 in.

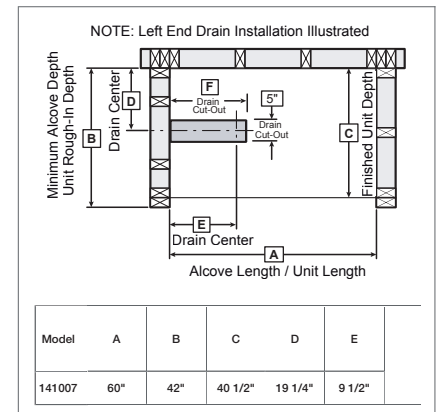
GTW-4260 (cont'd)



All dimensions are approximate. Structure measurements must be verified against the unit to ensure proper fit.

FOOTNOTES - BEFORE ORDERING, PLEASE SPECIFY:

- Components for standard color bathtubs equipped with Bodywrap Whirlpool are color-coordinated. Trim kit with metallic finish can be added, please order OPT 20209 and specify trim kit color.
- The pump on opposite side of standard location will exceed the bathtub dimensions from 8 to 10 inches.



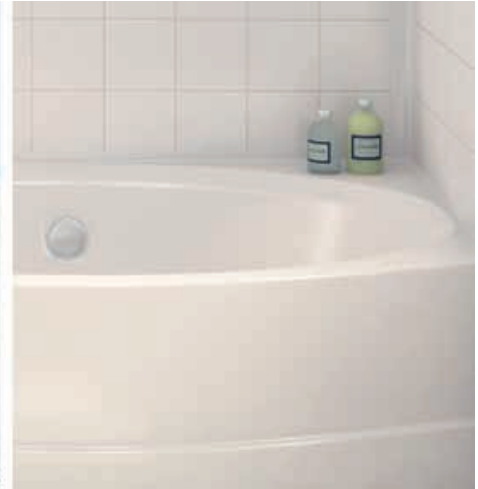
GTWT-4260

60" x 35" x 71 - 72" - Gelcoat

Water Capacity: Min: 38 gal. Max: 49 gal.



- One-piece gelcoated fiberglass tub-shower with 6 in. simulated tile pattern
- Built-in back wall shelves and standard clear acrylic bar when ordered with R/L drain
- Right, left-hand or back center drain (center drain model shown) • Textured floor
- Optional unique feature: Above-the-Floor Rough • 16" deep sump
- Bottom bathing well : 42 1/2" L x 28 3/4" W (CTR) 47 1/2" x 27" (L & R)



GELCOAT TUB SHOWERS

TUB SHOWER MODEL

No	Model	Dimensions	Pkg	Approx. weight	Std Color(s)	Non-std Colors
141008-000-XXX	1-piece tub shower 141008-000-XXX Center drain ¹ 141008-R-000-XXX Right-hand drain ² 141008-L-000-XXX Left-hand drain ² Specify: Standard colors: White (002), Bone (004), Biscuit (007) Non-standard colors: Refer to color chart in this book.	60 X 35 X 71 - 72 in.	106.78 ft ³	131 lb	\$ 1,027	\$ 1,227
	1-piece tub shower AFR 141008-AFR-000-XXX Above-the-floor rough, center drain ¹ 141008-AFR/R-000-XXX Above-the-floor rough, right-hand drain ² 141008-AFR/L-000-XXX Above-the-floor rough, left-hand drain ² Specify: Standard colors: White (002), Bone (004), Biscuit (007) Non-standard colors: Refer to color chart in this book.					

HOMESTEAD WHIRLPOOL SYSTEM

No	Model	Approx. weight	Std Color(s)	Non-std Colors
141008-058-XXX	Tub shower with Homestead whirlpool w/air switch ³ 141008-058-XXX Center drain ¹ 141008-R-058-XXX Right-hand drain ² 141008-L-058-XXX Left-hand drain ² 141008-AFR-058-XXX Above-the-floor rough, center drain ¹ 141008-AFR/R-058-XXX Above-the-floor rough, right-hand drain ² 141008-AFR/L-058-XXX Above-the-floor rough, left-hand drain ² Specify: Standard colors: White (002), Bone (004), Biscuit (007)	131 lb	\$ 1,841	N/A

COMMON OPTIONS

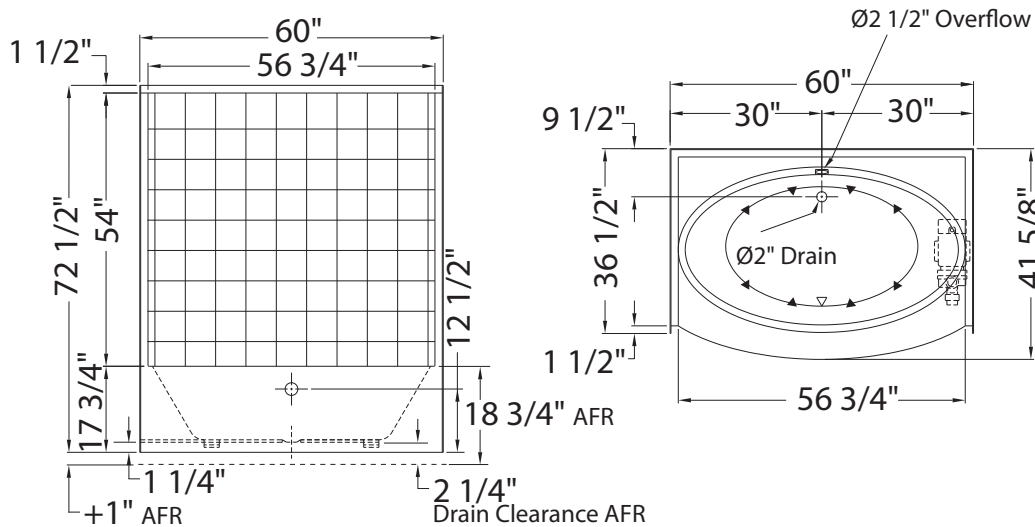
No	Description	Approx. weight	List Price
OPT10180-105	Brushed Nickel grab bar replacing acrylic bar	N/A	\$ 50
OPT10180-084	Chrome grab bar replacing acrylic bar	N/A	\$ 26
OPT10180-085	Polished Brass grab bar replacing acrylic bar	N/A	\$ 50

WHIRLPOOL OPTIONS

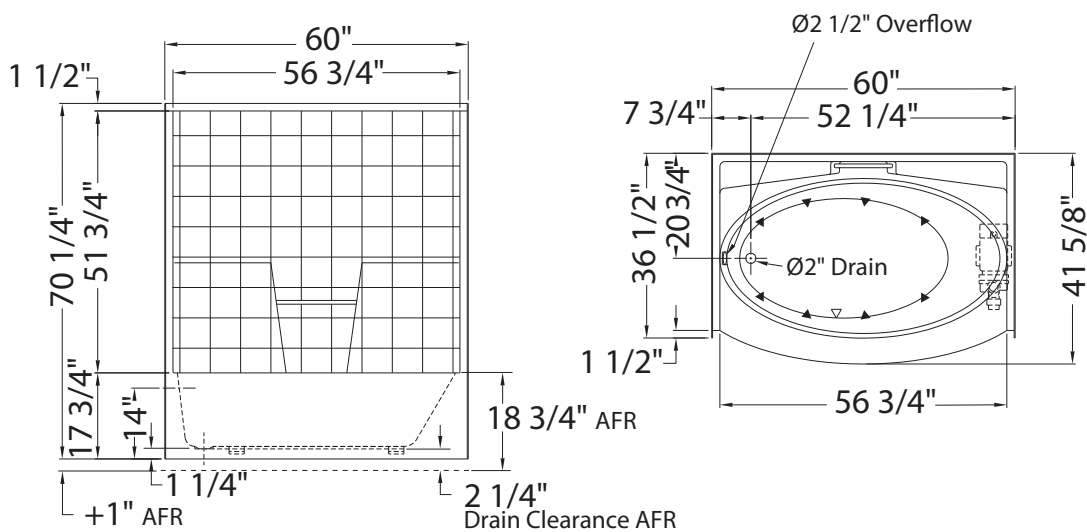
No	Description	Approx. weight	List Price
OPT10172	In-Line Heater (factory installed)	N/A	\$ 426
OPT10174	Pump position opposite standard position ⁴	N/A	\$ 68

GTWT-4260 (cont'd)

GTWT-4260 Center drain model



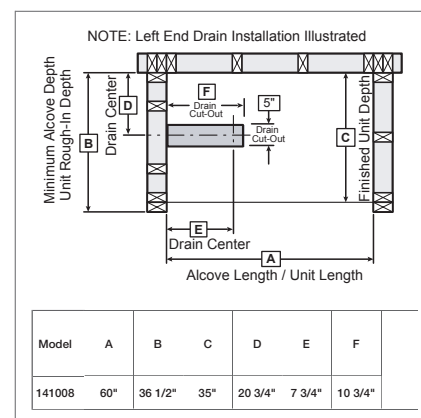
GTWT-4260 Left and right hand drain model



All dimensions are approximate. Structure measurements must be verified against the unit to ensure proper fit.

FOOTNOTES - BEFORE ORDERING, PLEASE SPECIFY:

1. Tub shower with center drain comes with no shelves.
2. Tub shower with R/L drain comes with back wall built-in shelves and clear acrylic bar.
3. Components for standard color tub showers equipped with Homestead Whirlpool are color-coordinated.
4. The pump on opposite side of standard location will exceed the bathtub dimensions from 8 to 10 inches.



TS 3660

59 7/8" x 35 7/8" x 75 1/8" - 76 5/8" - Gelcoat

- One-piece gelcoated fiberglass tub-shower
- Built-in top corner shelves and integrated soap dish
- Standard acrylic handle with optional metallic finishes • 14 1/2" deep sump
- Right or left-hand drain • Textured floor • Bottom bathing well : 44" L x 21 3/8" W
- Optional unique features: Above-the-Floor Rough and reinforced walls



GELCOAT TUB SHOWERS

TUB SHOWER MODEL

No	Model	Dimensions	Pkg	Approx. weight	Std Color(s)	Non-std Colors
141227-000-XXX	1-piece tub shower ¹ 141227-R-000-XXX Right-hand drain 141227-L-000-XXX Left-hand drain Specify: Standard colors: White (002), Bone (004), Biscuit (007) Non-standard colors: Refer to color chart in this book. 1-piece tub shower AFR ¹ 141227-AFR/R-000-XXX Above-the-floor rough, right-hand drain 141227-AFR/L-000-XXX Above-the-floor rough, left-hand drain Specify: Standard colors: White (002), Bone (004), Biscuit (007) Non-standard colors: Refer to color chart in this book.	59 7/8 X 35 7/8 X 75 1/8 - 76 5/8 in. Door opening: 56 x 59 1/8	N/A	N/A	\$ 767	\$ 967

HOMESTEAD WHIRLPOOL SYSTEM

No	Model	Approx. weight	Std Color(s)	Non-std Colors
141227-058-XXX	Tub shower with Homestead whirlpool w/air switch ² 141227-R-058-XXX Right-hand drain 141227-L-058-XXX Left-hand drain 141227-AFR/R-058-XXX Above-the-floor rough, right-hand drain 141227-AFR/L-058-XXX Above-the-floor rough, left-hand drain Specify: Standard colors: White (002), Bone (004), Biscuit (007) Non-standard colors: Refer to color chart in this book.	N/A	\$ 1,581	N/A

COMMON OPTIONS

No	Description	Approx. weight	List Price
OPT10109-XXX	Metallic finish handle replacing acrylic handle Available colors: Chrome (084) and Brushed Nickel (105)	N/A	\$ 98
OPT10189	Wall reinforcement (Three walls) ³	N/A	\$ 141
OPT20212-B	Back Wall reinforcement ³	N/A	\$ 47
OPT20212-L	Left Wall reinforcement ³	N/A	\$ 47
OPT20212-R	Right Wall reinforcement ³	N/A	\$ 47

WHIRLPOOL OPTIONS

No	Description	Approx. weight	List Price
OPT10172	In-Line Heater (factory installed)	N/A	\$ 426
OPT10174	Pump position opposite standard position ⁴	N/A	\$ 68

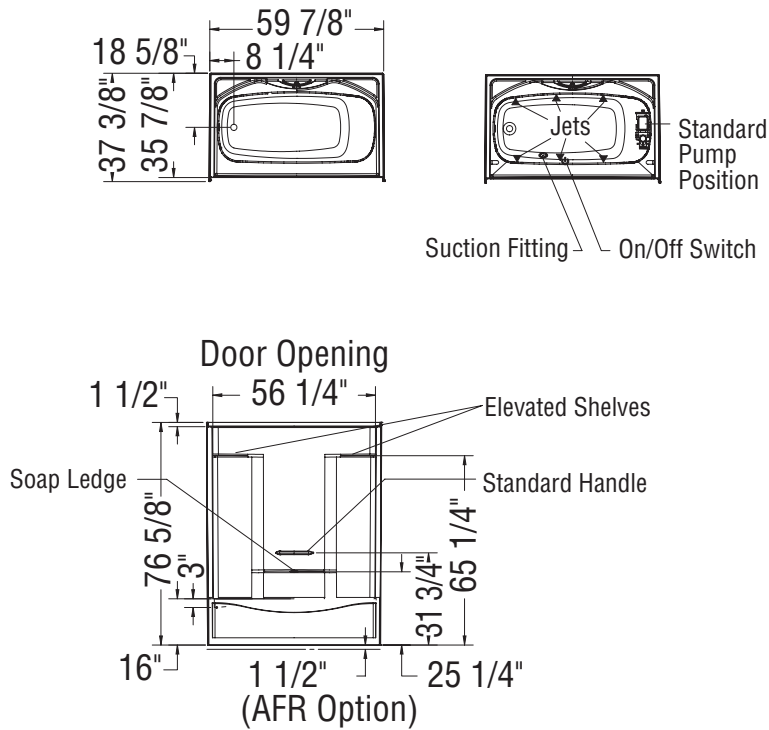
TS 3660 (cont'd)

DOORS RECOMMENDED WITH THIS PRODUCT. REFER TO MAAX DOOR PRICE BOOK

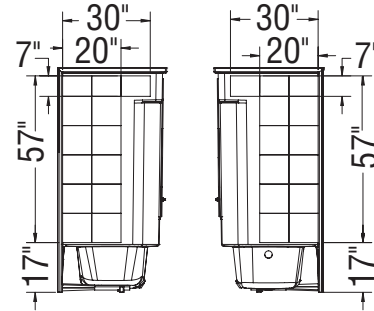
No	Description
136302-XXX-XXX	Decor Plus 2-panel 56 3/4 in.
135130-XXX-XXX	Tub Shield 1-panel 30 in.
135630-XXX-XXX	Tub Shield 1-panel 30 in.
135340-XXX-XXX	3 folding panels 39 1/2 in.
105410-XXX-XXX	Polar 2-panel 54 - 59 1/2 in.
105409-XXX-XXX	Mika 2-panel 54 - 59 1/2 in.
104031-XXX-XXX	Canvas 2-panel 54 - 59 1/2 in.
139398-XXX-XXX	Halo 2-panel 56 1/2-59 x 56 in.
134561-XXX-XXX	Kameleon 6 mm 55 - 59 in.
134661-XXX-XXX	Kameleon Soft Close 6 mm 55 - 59 in.
134573-XXX-XXX	Kameleon 8 mm 55 - 59 in.
134670-XXX-XXX	Kameleon Soft Close 8 mm 55 - 59 in.
138402-XXX-XXX	Halo 1-panel 56 1/2-59 x 59 in.

TS 3660 (cont'd)

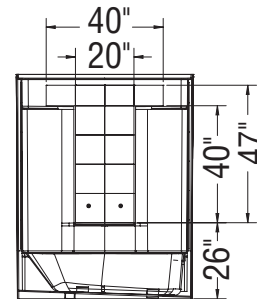
STANDARD



REINFORCEMENT BACKING OPTION 20212-L Shown OPTION 20212-R Symetrical



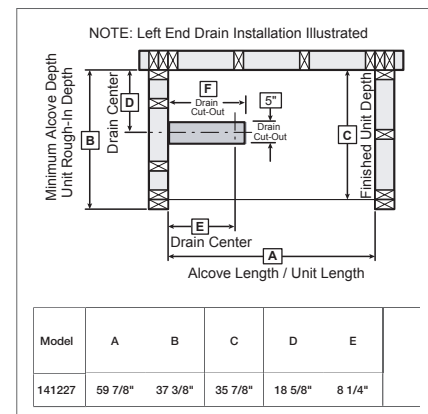
OPTION 20212-B



All dimensions are approximate. Structure measurements must be verified against the unit to ensure proper fit.

FOOTNOTES - BEFORE ORDERING, PLEASE SPECIFY:

1. Handle for standard color tub showers are color-coordinated. Handles with metallic finish can be added (additional charge applies). For non-standard color tub showers, please specify handle color (additional charge applies for metallic finishes).
2. Components for standard color tub showers equipped with Homestead Whirlpool are color-coordinated.
3. Please see technical drawings for reinforcement positioning and size.
4. The pump on opposite side of standard location will exceed the bathtub dimensions from 8 to 10 inches.



SBW-3360

60" x 33" x 77 - 79" - Gelcoat
Water Capacity: Min: 27 gal. Max: 40 gal.



- One-piece gelcoated fiberglass tub-shower with comfortable armrests and optional roofcap
- Built-in back wall shelves with integrated soap dish • Right or left-hand drain
- Standard clear acrylic bar with optional metallic finishes • Textured floor
- Optional unique features: Above-the-Floor Rough and reinforced walls
- 16" deep sump • Bottom bathing well : 42 1/2" L x 18 7/8" W



GELCOAT TUB SHOWERS

TUB SHOWER MODEL

No	Model	Dimensions	Pkg	Approx. weight	Std Color(s)	Non-std Colors
141002-000-XXX	1-piece tub shower 141002-R-000-XXX Right-hand drain 141002-L-000-XXX Left-hand drain Specify: Standard colors: White (002), Bone (004), Biscuit (007) Non-standard colors: Refer to color chart in this book.	60 X 33 X 77 - 79 in.	94.54 ft ³	138 lb	\$ 702	\$ 902
	1-piece tub shower AFR 141002-AFR/R-000-XXX Above-the-floor rough, right-hand drain 141002-AFR/L-000-XXX Above-the-floor rough, left-hand drain Specify: Standard colors: White (002), Bone (004), Biscuit (007) Non-standard colors: Refer to color chart in this book.					
141003-000-XXX	Gelcoated fiberglass roofcap Specify: Standard colors: White (002), Bone (004), Biscuit (007) Non-standard colors: Refer to color chart in this book.	60 X 33 X 89 in.	16.5 ft ³	28 lb	\$ 281	\$ 331

BODYWRAP WHIRLPOOL SYSTEM

No	Model	Approx. weight	Std Color(s)	Non-std Colors
141002-057-XXX	Tub shower with Bodywrap whirlpool w/micro switch ¹ 141002-R-057-XXX Right-hand drain 141002-L-057-XXX Left-hand drain 141002-AFR/R-057-XXX Above-the-floor rough, right-hand drain 141002-AFR/L-057-XXX Above-the-floor rough, left-hand drain Specify: Standard colors: White (002), Bone (004), Biscuit (007) Non-standard colors: Refer to color chart in this book.	138 lb	\$ 1,910	\$ 2,110

COMMON OPTIONS

No	Description	Approx. weight	List Price
OPT10171	Light for roofcap (factory drilled hole)	N/A	\$ 166
OPT10180-105	Brushed Nickel grab bar replacing acrylic bar	N/A	\$ 50
OPT10180-084	Chrome grab bar replacing acrylic bar	N/A	\$ 26
OPT10180-085	Polished Brass grab bar replacing acrylic bar	N/A	\$ 50
OPT10189	Wall reinforcement (Three walls) ²	N/A	\$ 141
OPT20212-B	Back Wall reinforcement ²	N/A	\$ 47
OPT20212-L	Left Wall reinforcement ²	N/A	\$ 47
OPT20212-R	Right Wall reinforcement ²	N/A	\$ 47

WHIRLPOOL OPTIONS

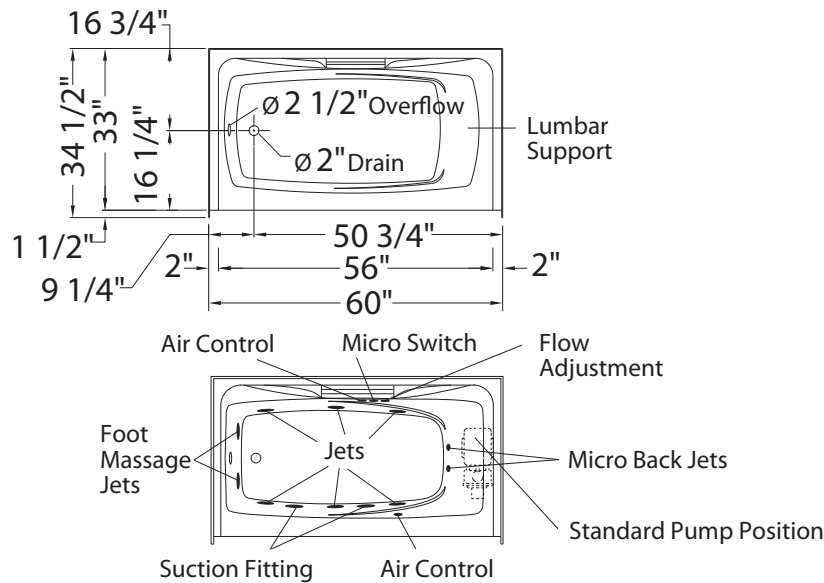
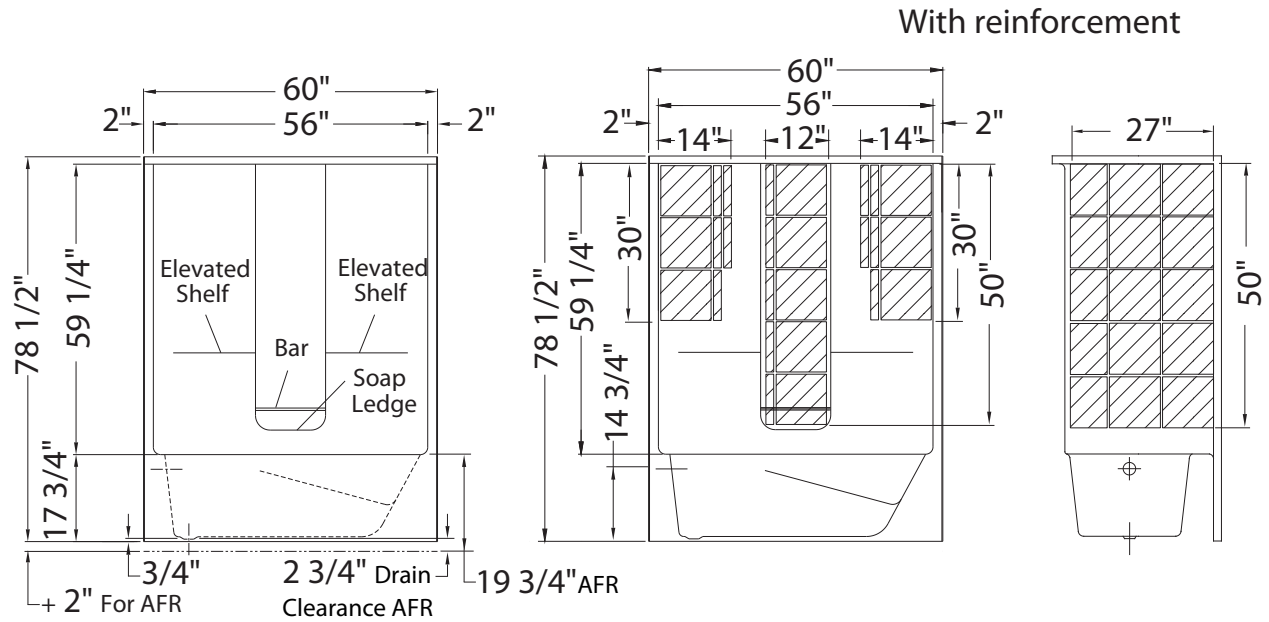
No	Description	Approx. weight	List Price
OPT10172	In-Line Heater (factory installed)	N/A	\$ 426
OPT10174	Pump position opposite standard position ³	N/A	\$ 68
OPT20139	Ozonator for Bodywrap whirlpool system	N/A	\$ 362
OPT20209-XXX	Trim kit for Bodywrap whirlpool (057) (factory installed) Available colors: Chrome (084), Polished Brass (085), Mixed Chrome and Polished Brass (164), Nickel (105) List price: Included	N/A	No Charge

SBW-3360 (cont'd)

DOORS RECOMMENDED WITH THIS PRODUCT. REFER TO MAAX DOOR PRICE BOOK

No	Description
136302-XXX-XXX	Decor Plus 2-panel 56 3/4 in.
135130-XXX-XXX	Tub Shield 1-panel 30 in.
135630-XXX-XXX	Tub Shield 1-panel 30 in.
135340-XXX-XXX	3 folding panels 39 1/2 in.
105410-XXX-XXX	Polar 2-panel 54 - 59 1/2 in.
105409-XXX-XXX	Mika 2-panel 54 - 59 1/2 in.
104031-XXX-XXX	Canvas 2-panel 54 - 59 1/2 in.
134561-XXX-XXX	Kameleon 6 mm 55 - 59 in.
134661-XXX-XXX	Kameleon Soft Close 6 mm 55 - 59 in.
134573-XXX-XXX	Kameleon 8 mm 55 - 59 in.
134670-XXX-XXX	Kameleon Soft Close 8 mm 55 - 59 in.
138402-XXX-XXX	Halo 1-panel 56 1/2-59 x 59 in.

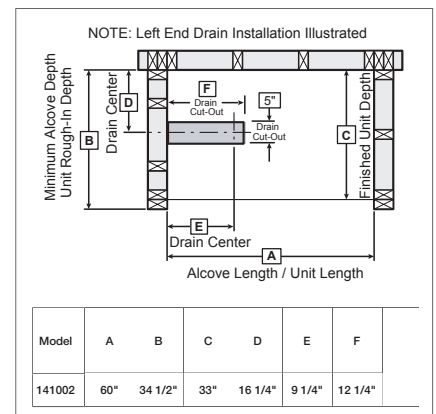
SBW-3360 (cont'd)



All dimensions are approximate. Structure measurements must be verified against the unit to ensure proper fit.

FOOTNOTES - BEFORE ORDERING, PLEASE SPECIFY:

1. Components for standard color bathtubs equipped with Bodywrap Whirlpool are color-coordinated. Trim kit with metallic finish can be added, please order OPT 20209 and specify trim kit color.
2. Please see technical drawings for reinforcement positioning and size.
3. The pump on opposite side of standard location will exceed the bathtub dimensions from 8 to 10 inches.



TST-3360

60" x 33" x 76 1/2" - 78 1/2" - Gelcoat
Water Capacity: Min: 54 gal.

- One-piece gelcoated fiberglass tub-shower with 6 in. simulated tile pattern
- Built-in back wall shelves and integrated soap dish • Textured floor
- Standard clear acrylic bar • Right or left-hand drain
- Optional unique feature: Above-the-Floor Rough
- 14 3/4" deep sump • Bottom bathing well : 47" L x 21 3/4" W

GELCOAT TUB SHOWERS



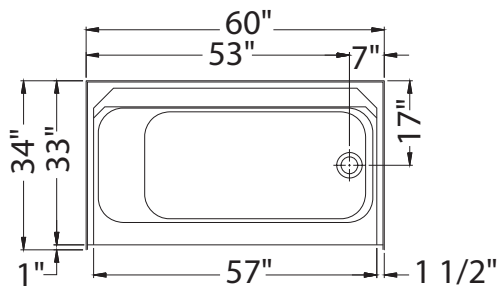
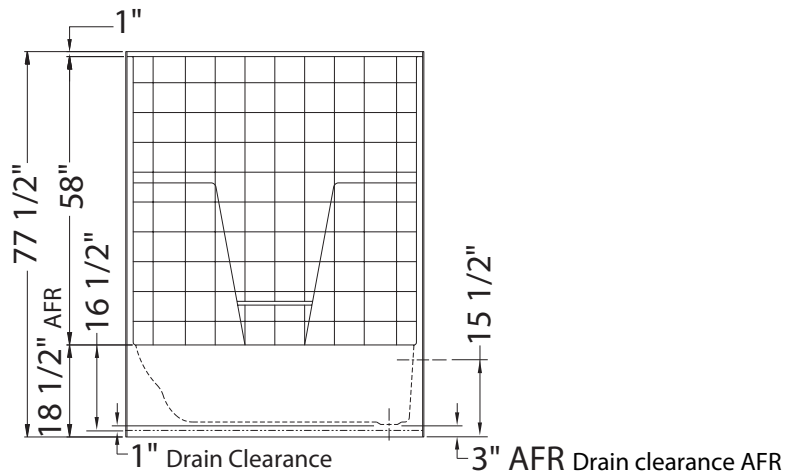
TUB SHOWER MODEL

No	Model	Dimensions	Pkg	Approx. weight	Std Color(s)	Non-std Colors
105215-000-XXX	1-piece tub shower 105215-R-000-XXX Right-hand drain 105215-L-000-XXX Left-hand drain Specify: Standard colors: White (002), Bone (004), Biscuit (007) Non-standard colors: Refer to color chart in this book.	60 X 33 X 76 1/2 - 78 1/2 in.	N/A	N/A	\$ 709	\$ 909
	1-piece tub shower AFR 105215-AFR/R-000-XXX Above-the-floor rough, right-hand drain 105215-AFR/L-000-XXX Above-the-floor rough, left-hand drain Specify: Standard colors: White (002), Bone (004), Biscuit (007) Non-standard colors: Refer to color chart in this book.					

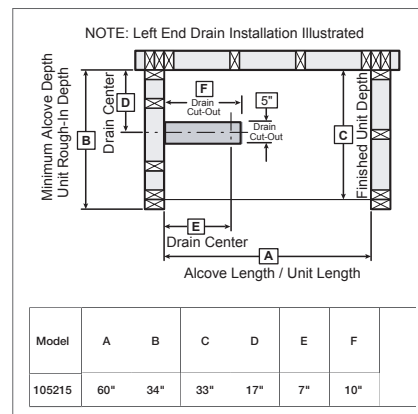
DOORS RECOMMENDED WITH THIS PRODUCT. REFER TO MAAK DOOR PRICE BOOK

No	Description
138400-XXX-XXX	Triple Plus 3-panel 59 1/2 in.
135130-XXX-XXX	Tub Shield 1-panel 30 in.
135630-XXX-XXX	Tub Shield 1-panel 30 in.
135340-XXX-XXX	3 folding panels 39 1/2 in.
105410-XXX-XXX	Polar 2-panel 54 - 59 1/2 in.
105409-XXX-XXX	Mika 2-panel 54 - 59 1/2 in.
104031-XXX-XXX	Canvas 2-panel 54 - 59 1/2 in.
134561-XXX-XXX	Kameleon 6 mm 55 - 59 in.
134661-XXX-XXX	Kameleon Soft Close 6 mm 55 - 59 in.
134573-XXX-XXX	Kameleon 8 mm 55 - 59 in.
134670-XXX-XXX	Kameleon Soft Close 8 mm 55 - 59 in.
138402-XXX-XXX	Halo 1-panel 56 1/2-59 x 59 in.

TST-3360 (cont'd)



All dimensions are approximate. Structure measurements must be verified against the unit to ensure proper fit.



GB-60

60" x 33" x 72 - 73 3/4" - Gelcoat

Water Capacity: Min: 30 gal. Max: 38 gal.



- One-piece gelcoated fiberglass tub-shower
- Built-in back wall shelves and integrated soap dish
- Optional roofcap
- Standard clear acrylic bar
- Right or left-hand drain
- Textured floor
- Optional unique feature: Above-the-Floor Rough
- 14 1/4" deep sump
- Bottom bathing well : 45" L x 20" W

GELCOAT TUB SHOWERS



TUB SHOWER MODEL

No	Model	Dimensions	Pkg	Approx. weight	Std Color(s)	Non-std Colors
141004-000-XXX	1-piece tub shower 141004-R-000-XXX Right-hand drain 141004-L-000-XXX Left-hand drain Specify: Standard colors: White (002), Bone (004), Biscuit (007) Non-standard colors: Refer to color chart in this book.	60 X 33 X 72 - 73 3/4 in.	86.92 ft ³	120 lb	\$ 644	\$ 844
	1-piece tub shower AFR 141004-AFR/R-000-XXX Above-the-floor rough, right-hand drain 141004-AFR/L-000-XXX Above-the-floor rough, left-hand drain Specify: Standard colors: White (002), Bone (004), Biscuit (007) Non-standard colors: Refer to color chart in this book.					
141005-000-XXX	Gelcoated fiberglass roofcap Specify: Standard colors: White (002), Bone (004), Biscuit (007) Non-standard colors: Refer to color chart in this book.	60 X 33 X 84 in.	17.63 ft ³	35 lb	\$ 281	\$ 331

HOMESTEAD WHIRLPOOL SYSTEM

No	Model	Approx. weight	Std Color(s)	Non-std Colors
141004-058-XXX	Tub shower with Homestead whirlpool w/air switch ¹ 141004-R-058-XXX Right-hand drain 141004-L-058-XXX Left-hand drain 141004-AFR/R-058-XXX Above-the-floor rough, right-hand drain 141004-AFR/L-058-XXX Above-the-floor rough, left-hand drain Specify: Standard colors: White (002), Bone (004), Biscuit (007)	120 lb	\$ 1,458	N/A

COMMON OPTIONS

No	Description	Approx. weight	List Price
OPT10171	Light for roofcap (factory drilled hole)	N/A	\$ 166
OPT10180-105	Brushed Nickel grab bar replacing acrylic bar	N/A	\$ 50
OPT10180-084	Chrome grab bar replacing acrylic bar	N/A	\$ 26
OPT10180-085	Polished Brass grab bar replacing acrylic bar	N/A	\$ 50

WHIRLPOOL OPTIONS

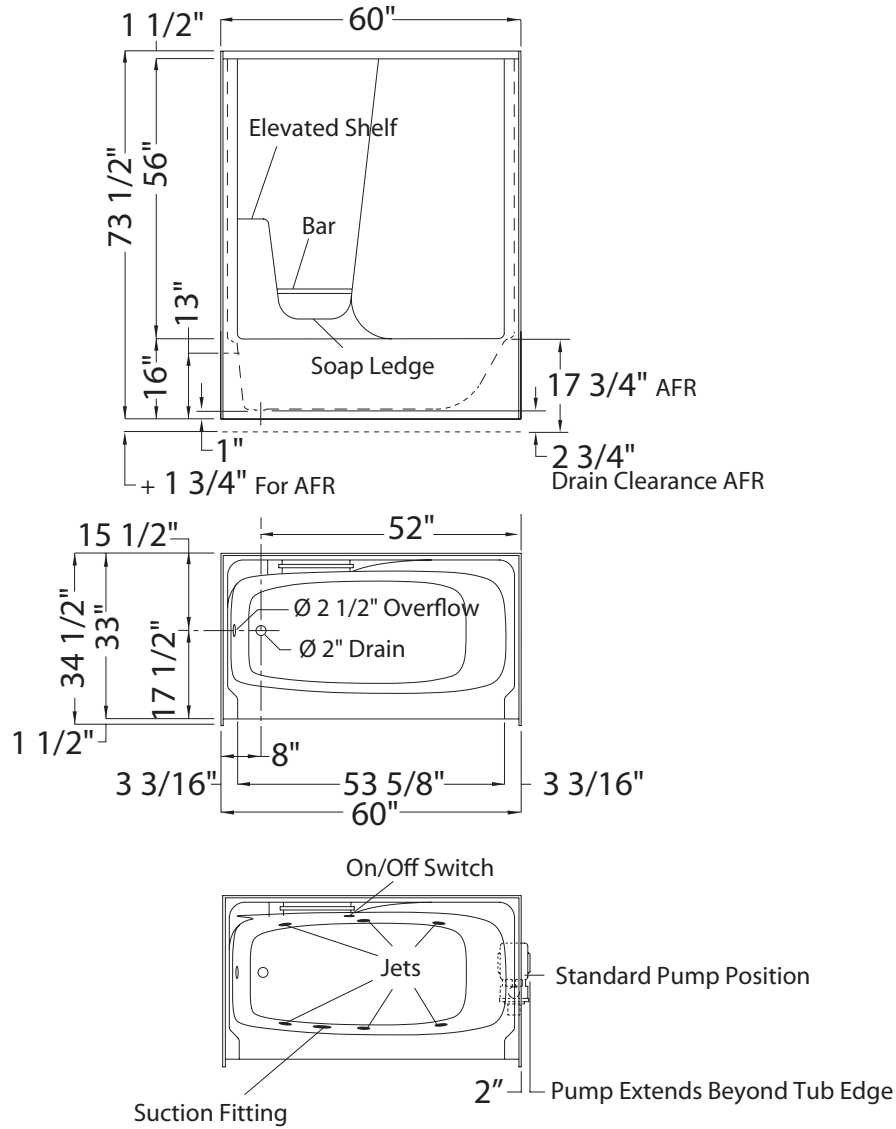
No	Description	Approx. weight	List Price
OPT10172	In-Line Heater (factory installed)	N/A	\$ 426
OPT10174	Pump position opposite standard position ²	N/A	\$ 68

GB-60 (cont'd)

DOORS RECOMMENDED WITH THIS PRODUCT. REFER TO MAAX DOOR PRICE BOOK

No	Description
138308-XXX-XXX	Triple Plus 3-panel 55 in.
136302-XXX-XXX	Decor Plus 2-panel 56 3/4 in.
135130-XXX-XXX	Tub Shield 1-panel 30 in.
135630-XXX-XXX	Tub Shield 1-panel 30 in.
135340-XXX-XXX	3 folding panels 39 1/2 in.
105409-XXX-XXX	Mika 2-panel 54 - 59 1/2 in.
104031-XXX-XXX	Canvas 2-panel 54 - 59 1/2 in.

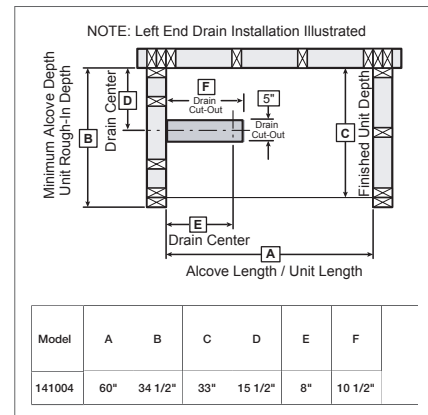
GB-60 (cont'd)



All dimensions are approximate. Structure measurements must be verified against the unit to ensure proper fit.

FOOTNOTES - BEFORE ORDERING, PLEASE SPECIFY:

1. Components for standard color tub showers equipped with Homestead Whirlpool are color-coordinated.
2. The pump on opposite side of standard location will exceed the bathtub dimensions from 8 to 10 inches.



CM-60

60" x 31 1/2" x 72 - 73 3/4" - Gelcoat
Water Capacity: Max: 36 gal.

- One-piece gelcoated fiberglass tub-shower
- Built-in back wall shelves with integrated soap dish
- Right or left-hand drain
- Standard clear acrylic bar with optional metallic finish
- Textured floor
- Optional unique features: Above-the-Floor Rough and reinforced walls
- 13 3/4" deep sump
- Bottom bathing well : 46" L x 19 1/4" W



GELCOAT TUB SHOWERS

TUB SHOWER MODEL

No	Model	Dimensions	Pkg	Approx. weight	Std Color(s)	Non-std Colors
141000-000-XXX	1-piece tub shower 141000-R-000-XXX Right-hand drain 141000-L-000-XXX Left-hand drain Specify: Standard colors: White (002), Bone (004), Biscuit (007) Non-standard colors: Refer to color chart in this book.	60 X 31 1/2 X 72 - 73 3/4 in.	53.4 ft ³	119 lb	\$ 589	\$ 789
	1-piece tub shower AFR 141000-AFR/R-000-XXX Above-the-floor rough, right-hand drain 141000-AFR/L-000-XXX Above-the-floor rough, left-hand drain Specify: Standard colors: White (002), Bone (004), Biscuit (007) Non-standard colors: Refer to color chart in this book.					

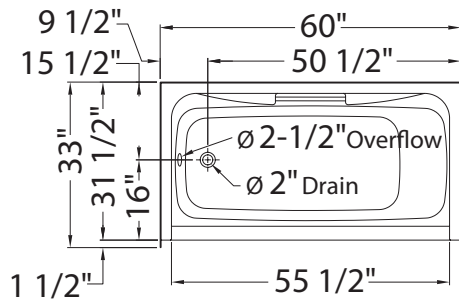
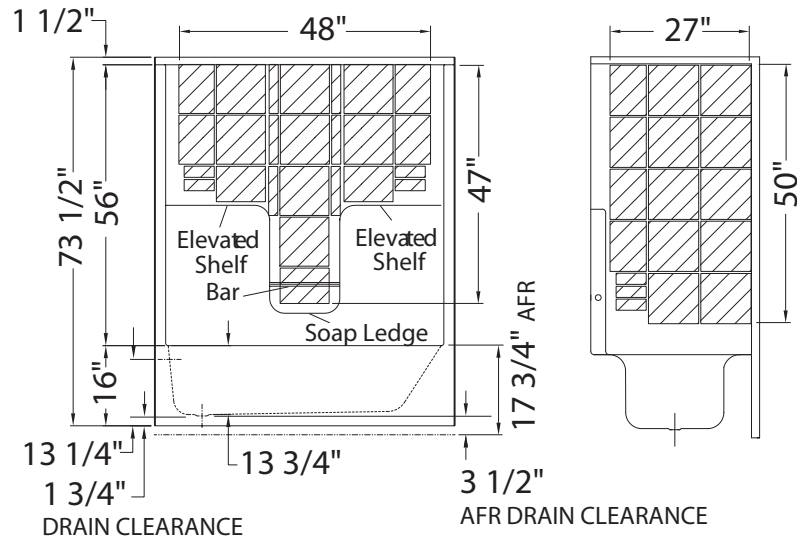
COMMON OPTIONS

No	Description	Approx. weight	List Price
OPT10180-105	Brushed Nickel grab bar replacing acrylic bar	N/A	\$ 50
OPT10180-084	Chrome grab bar replacing acrylic bar	N/A	\$ 26
OPT10180-085	Polished Brass grab bar replacing acrylic bar	N/A	\$ 50
OPT10189	Wall reinforcement (Three walls) ¹	N/A	\$ 141
OPT20212-B	Back Wall reinforcement ¹	N/A	\$ 47
OPT20212-L	Left Wall reinforcement ¹	N/A	\$ 47
OPT20212-R	Right Wall reinforcement ¹	N/A	\$ 47

DOORS RECOMMENDED WITH THIS PRODUCT. REFER TO MAAX DOOR PRICE BOOK

No	Description
136302-XXX-XXX	Decor Plus 2-panel 56 3/4 in.
135130-XXX-XXX	Tub Shield 1-panel 30 in.
135630-XXX-XXX	Tub Shield 1-panel 30 in.
135340-XXX-XXX	3 folding panels 39 1/2 in.
105409-XXX-XXX	Mika 2-panel 54 - 59 1/2 in.
104031-XXX-XXX	Canvas 2-panel 54 - 59 1/2 in.

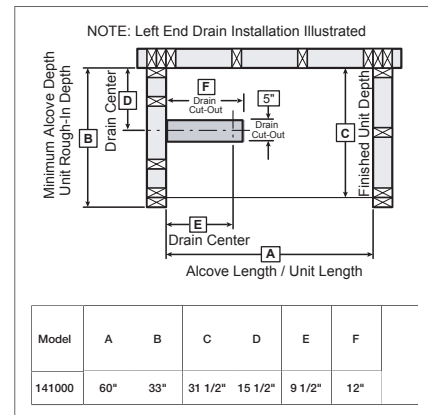
CM-60 (cont'd)



All dimensions are approximate. Structure measurements must be verified against the unit to ensure proper fit.

FOOTNOTES - BEFORE ORDERING, PLEASE SPECIFY:

1. Please see technical drawings for reinforcement positioning and size.



CMT-60

60" x 31 1/2" x 72 - 73 1/4" - Gelcoat
 Water Capacity: Min: 28 gal. Max: 36 gal.

- One-piece gelcoated fiberglass tub-shower with 4 in. simulated tile pattern
- Built-in back wall shelves with integrated soap dish • Right or left-hand drain
- Standard clear acrylic bar with optional metallic finishes
- Optional unique features: Above-the-Floor Rough • Textured floor
- 13 3/4" deep sump • Bottom bathing well : 46" L x 19 1/4" W



GELCOAT TUB SHOWERS

TUB SHOWER MODEL

No	Model	Dimensions	Pkg	Approx. weight	Std Color(s)	Non-std Colors
141185-000-XXX	1-piece tub shower 141185-R-000-XXX Right-hand drain 141185-L-000-XXX Left-hand drain Specify: Standard colors: White (002), Bone (004), Biscuit (007) Non-standard colors: Refer to color chart in this book.	60 X 31 1/2 X 72 - 73 1/4 in.	85.76 ft ³	119 lb	\$ 658	\$ 858
	1-piece tub shower AFR 141185-AFR/R-000-XXX Above-the-floor rough, right-hand drain 141185-AFR/L-000-XXX Above-the-floor rough, left-hand drain Specify: Standard colors: White (002), Bone (004), Biscuit (007) Non-standard colors: Refer to color chart in this book.					

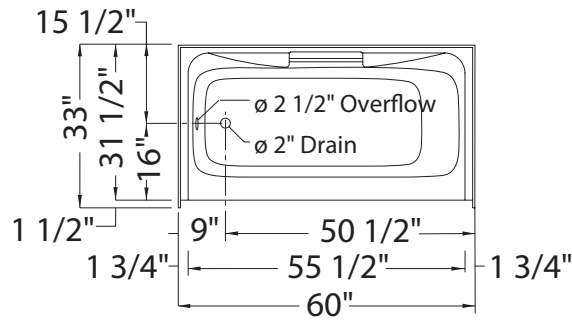
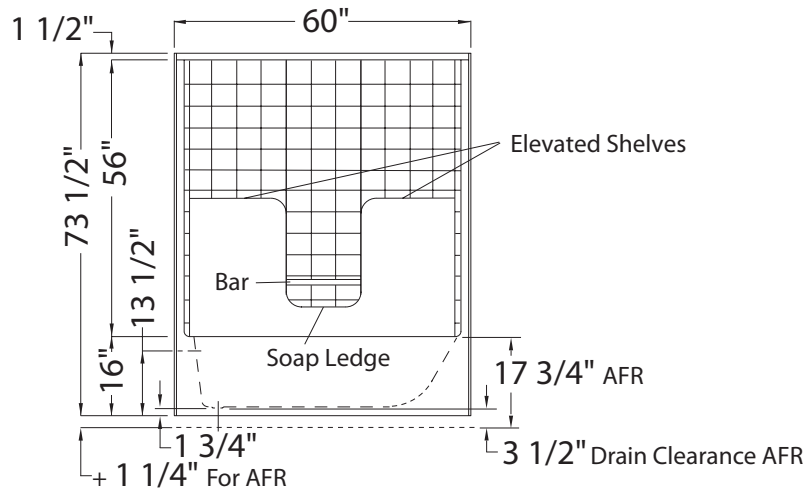
COMMON OPTIONS

No	Description	Approx. weight	List Price
OPT10180-105	Brushed Nickel grab bar replacing acrylic bar	N/A	\$ 50
OPT10180-084	Chrome grab bar replacing acrylic bar	N/A	\$ 26
OPT10180-085	Polished Brass grab bar replacing acrylic bar	N/A	\$ 50

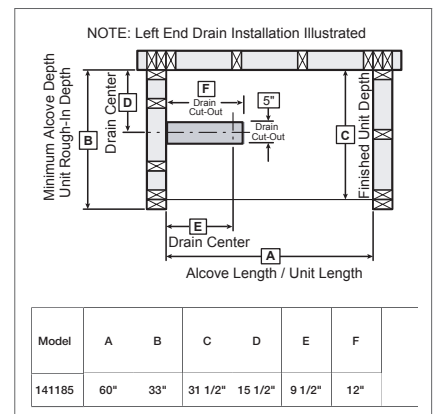
DOORS RECOMMENDED WITH THIS PRODUCT. REFER TO MAAX DOOR PRICE BOOK

No	Description
136302-XXX-XXX	Decor Plus 2-panel 56 3/4 in.
135130-XXX-XXX	Tub Shield 1-panel 30 in.
135630-XXX-XXX	Tub Shield 1-panel 30 in.
135340-XXX-XXX	3 folding panels 39 1/2 in.
105409-XXX-XXX	Mika 2-panel 54 - 59 1/2 in.
104031-XXX-XXX	Canvas 2-panel 54 - 59 1/2 in.

CMT-60 (cont'd)



All dimensions are approximate. Structure measurements must be verified against the unit to ensure proper fit.



TS-3060

60" x 30" x 73 1/4" - 74 1/2" - Gelcoat
 Water Capacity: Min: 25 gal. Max: 36 gal.

- One-piece gelcoated fiberglass tub-shower
- Built-in back wall shelves with integrated soap dish
- Standard clear acrylic bar with optional metallic finishes
- Textured floor
- Optional unique features: Above-the-Floor Rough and reinforced walls
- 14 1/4" deep sump
- Bottom bathing well : 48 1/2" L x 19 3/4" W



GELCOAT TUB SHOWERS

TUB SHOWER MODEL

No	Model	Dimensions	Pkg	Approx. weight	Std Color(s)	Non-std Colors
141132-000-XXX	1-piece tub shower 141132-R-000-XXX Right-hand drain 141132-L-000-XXX Left-hand drain Specify: Standard colors: White (002), Bone (004), Biscuit (007) Non-standard colors: Refer to color chart in this book.	60 X 30 X 73 1/4 - 74 1/2 in.	60.45 ft ³	120 lb	\$ 589	\$ 789
	1-piece tub shower AFR 141132-AFR/R-000-XXX Above-the-floor rough, right-hand drain 141132-AFR/L-000-XXX Above-the-floor rough, left-hand drain Specify: Standard colors: White (002), Bone (004), Biscuit (007) Non-standard colors: Refer to color chart in this book.					

COMMON OPTIONS

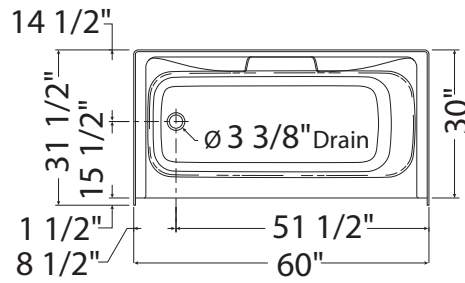
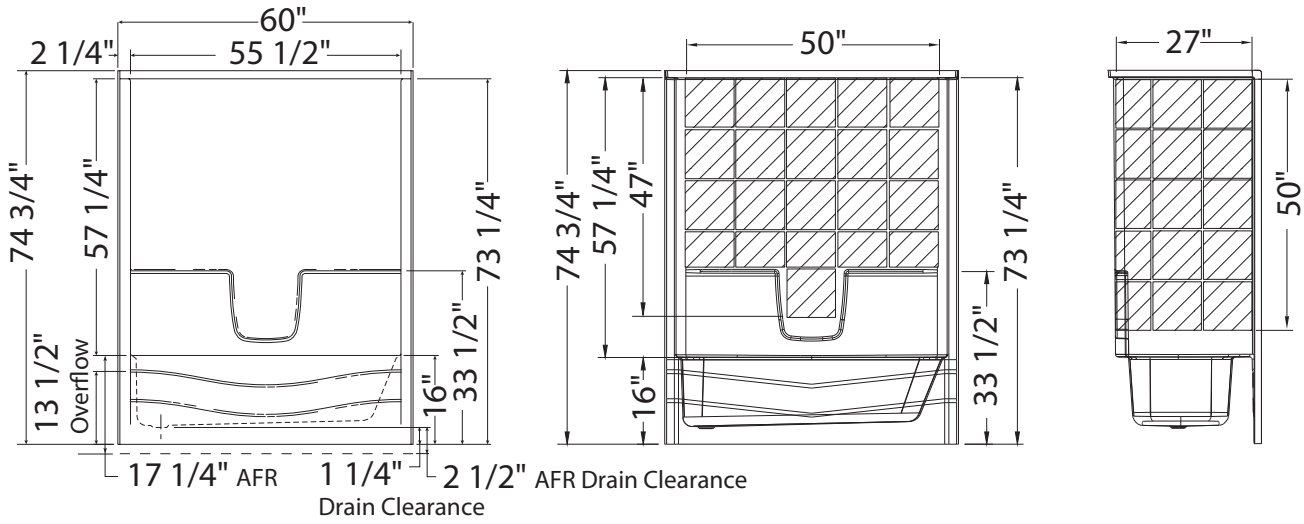
No	Description	Approx. weight	List Price
OPT10180-105	Brushed Nickel grab bar replacing acrylic bar	N/A	\$ 50
OPT10180-084	Chrome grab bar replacing acrylic bar	N/A	\$ 26
OPT10180-085	Polished Brass grab bar replacing acrylic bar	N/A	\$ 50
OPT10189	Wall reinforcement (Three walls) ¹	N/A	\$ 141
OPT20212-B	Back Wall reinforcement ¹	N/A	\$ 47
OPT20212-L	Left Wall reinforcement ¹	N/A	\$ 47
OPT20212-R	Right Wall reinforcement ¹	N/A	\$ 47

DOORS RECOMMENDED WITH THIS PRODUCT. REFER TO MAAX DOOR PRICE BOOK

No	Description
136302-XXX-XXX	Decor Plus 2-panel 56 3/4 in.
135130-XXX-XXX	Tub Shield 1-panel 30 in.
135630-XXX-XXX	Tub Shield 1-panel 30 in.
135340-XXX-XXX	3 folding panels 39 1/2 in.
105410-XXX-XXX	Polar 2-panel 54 - 59 1/2 in.
105409-XXX-XXX	Mika 2-panel 54 - 59 1/2 in.
104031-XXX-XXX	Canvas 2-panel 54 - 59 1/2 in.
134561-XXX-XXX	Kameleon 6 mm 55 - 59 in.
134661-XXX-XXX	Kameleon Soft Close 6 mm 55 - 59 in.
134573-XXX-XXX	Kameleon 8 mm 55 - 59 in.
134670-XXX-XXX	Kameleon Soft Close 8 mm 55 - 59 in.

TS-3060 (cont'd)

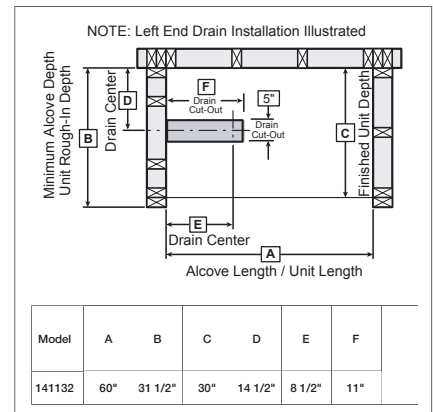
With reinforcement



All dimensions are approximate. Structure measurements must be verified against the unit to ensure proper fit.

FOOTNOTES - BEFORE ORDERING, PLEASE SPECIFY:

1. Please see technical drawings for reinforcement positioning and size.



ACTS-60

60" x 34" x 84" - Acrylic
Water Capacity: Min: 42 gal.



- One-piece acrylic tub-shower with integrated roofcap
- Built-in back wall shelves and integrated soap dish
- Right or left-hand drain
- Standard clear acrylic bar with optional metallic finishes
- Textured floor
- Comes with an access panel when equipped with a whirlpool system
- 16" deep sump
- Bottom bathing well : 46 1/2" L x 22" W



ACRYLIC TUB SHOWERS

TUB SHOWER MODEL

No	Model	Dimensions	Pkg	Approx. weight	Std Color(s)
141145-000-XXX	1-piece tub shower 141145-R-000-XXX Right-hand drain 141145-L-000-XXX Left-hand drain Specify: Standard colors: White (001), Bone (004), Biscuit (007)	60 X 34 X 84 in.	44.6 ft ³	225 lb	\$ 1,260

BODYWRAP WHIRLPOOL SYSTEM

No	Model	Approx. weight	Std Color(s)
141145-057-XXX	Bodywrap Whirlpool w/micro switch - 8 jets ¹ 141145-R-000-XXX Right-hand drain 141145-L-000-XXX Left-hand drain Specify: Standard colors: White (001), Bone (004), Biscuit (007)	225 lb	\$ 2,468

COMMON OPTIONS

No	Description	Approx. weight	List Price
OPT10171	Light for roofcap (factory drilled hole)	N/A	\$ 166
OPT10180-105	Brushed Nickel grab bar replacing acrylic bar	N/A	\$ 50
OPT10180-084	Chrome grab bar replacing acrylic bar	N/A	\$ 26
OPT10180-085	Polished Brass grab bar replacing acrylic bar	N/A	\$ 50

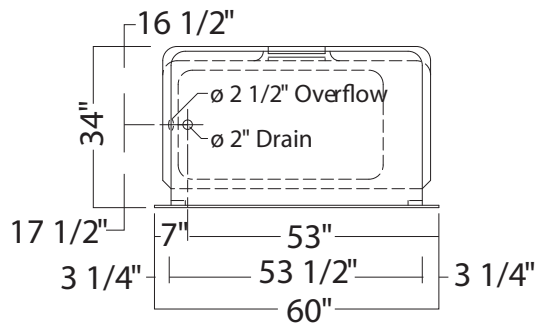
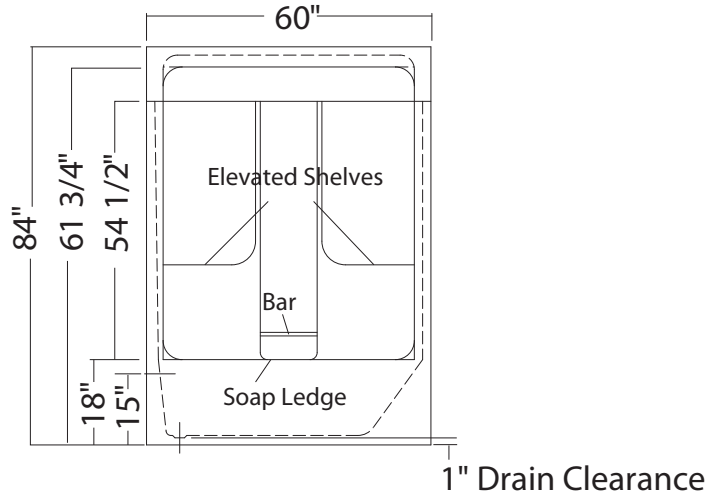
WHIRLPOOL OPTIONS

No	Description	Approx. weight	List Price
OPT10172	In-Line Heater (factory installed)	N/A	\$ 426
OPT10174	Pump position opposite standard position ²	N/A	\$ 68
OPT20139	Ozonator for Bodywrap whirlpool system	N/A	\$ 362
OPT20209-XXX	Trim kit for Bodywrap whirlpool (057) (factory installed) Available colors: Chrome (084), Polished Brass (085), Mixed Chrome and Polished Brass (164), Nickel (105) List price: Included	N/A	No Charge

DOORS RECOMMENDED WITH THIS PRODUCT. REFER TO MAAX DOOR PRICE BOOK

No	Description
138308-XXX-XXX	Triple Plus 3-panel 55 in.
136302-XXX-XXX	Decor Plus 2-panel 56 3/4 in.
135630-XXX-XXX	Tub Shield 1-panel 30 in.
135340-XXX-XXX	3 folding panels 39 1/2 in.
134560-XXX-XXX	Kameleon 6 mm 51-55 in.
134660-XXX-XXX	Kameleon Soft Close 6 mm 51 - 55 in.

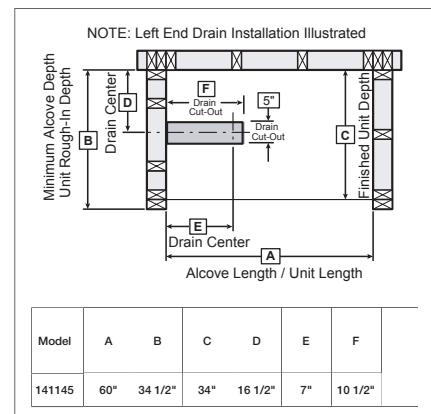
ACTS-60 (cont'd)



All dimensions are approximate. Structure measurements must be verified against the unit to ensure proper fit.

FOOTNOTES - BEFORE ORDERING, PLEASE SPECIFY:

1. Components for standard color bathtubs equipped with Bodywrap Whirlpool are color-coordinated. Trim kit with metallic finish can be added, please order OPT 20209 and specify trim kit color.
2. The pump on opposite side of standard location will exceed the bathtub dimensions from 8 to 10 inches.

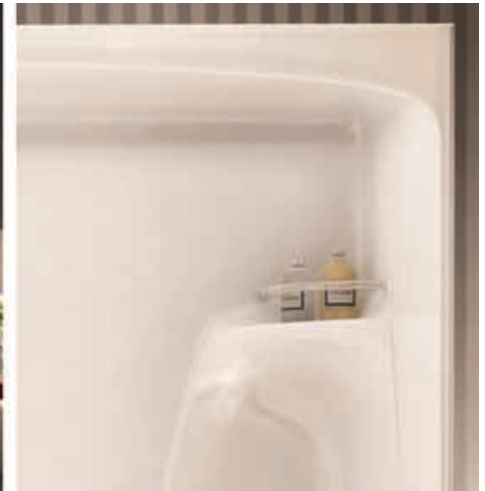


ACTSDM-3360

60" x 33 1/4" x 87 3/8" - 89 7/8" - Acrylic
Water Capacity: Min: 38 gal. Max: 42 gal.



- One-piece acrylic tub-shower with integrated roofcap
- Built-in corner shelves with optional shelf rails • Optional handle
- Optional unique feature: Above-the-Floor Rough • Right or left-hand drain
- Comes with an access panel when equipped with a whirlpool system
- 14 1/2" deep sump • Bottom bathing well : 49" L x 22 1/4" W



ACRYLIC TUB SHOWERS

TUB SHOWER MODEL

No	Model	Dimensions	Pkg	Approx. weight	Std Color(s)
141015-000-XXX	1-piece tub shower 141015-R-000-XXX Right-hand drain 141015-L-000-XXX Left-hand drain Specify: Standard colors: White (001), Bone (004), Biscuit (007)	60 X 33 1/4 X 87 3/8 - 89 7/8 in.	100.26 ft ³	195 lb	\$ 1,275
	1-piece tub shower AFR 141015-AFR/R-000-XXX Above-the-floor rough, right-hand drain 141015-AFR/L-000-XXX Above-the-floor rough, left-hand drain Specify: Standard colors: White (001), Bone (004), Biscuit (007)				

BODYWRAP WHIRLPOOL SYSTEM

No	Model	Approx. weight	Std Color(s)
141015-057-XXX	Tub shower with Bodywrap whirlpool w/micro switch ¹ 141015-R-057-XXX Right-hand drain 141015-L-057-XXX Left-hand drain 141015-AFR/R-057-XXX Above-the-floor rough, right-hand drain 141015-AFR/L-057-XXX Above-the-floor rough, left-hand drain Specify: Standard colors: White (001), Bone (004), Biscuit (007)	195 lb	\$ 2,483

COMMON OPTIONS

No	Description	Approx. weight	List Price
OPT10167-105	Brushed Nickel Shelf Rails	N/A	\$ 172
OPT10167-084	Chrome Shelf Rails	N/A	\$ 142
OPT10167-085	Polished Brass Shelf Rails	N/A	\$ 172
OPT10168	Removable access panel for non-jetted model	N/A	\$ 83
OPT10169-007	12" Handle in Biscuit	N/A	\$ 51
OPT10169-004	12" Handle in Bone	N/A	\$ 51
OPT10169-105	12" Handle in Brushed Nickel	N/A	\$ 160
OPT10169-001	12" Handle in White	N/A	\$ 51
OPT10169-084	12" Handle in Chrome	N/A	\$ 160
OPT10171	Light for roofcap (factory drilled hole)	N/A	\$ 166

WHIRLPOOL OPTIONS

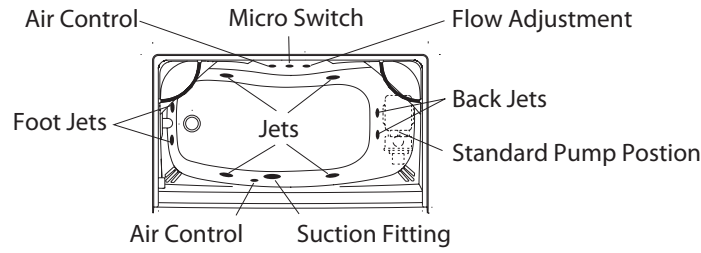
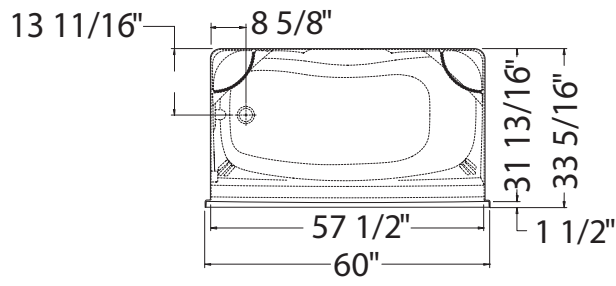
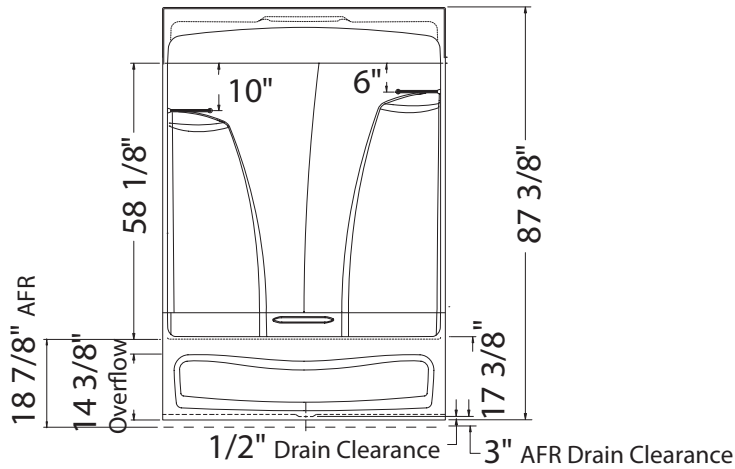
No	Description	Approx. weight	List Price
OPT10172	In-Line Heater (factory installed)	N/A	\$ 426
OPT10174	Pump position opposite standard position ²	N/A	\$ 68
OPT20139	Ozonator for Bodywrap whirlpool system	N/A	\$ 362
OPT20209-XXX	Trim kit for Bodywrap whirlpool (057) (factory installed) Available colors: Chrome (084), Polished Brass (085), Mixed Chrome and Polished Brass (164), Nickel (105) List price: Included	N/A	No Charge

ACTSDM-3360 (cont'd)

DOORS RECOMMENDED WITH THIS PRODUCT. REFER TO MAAK DOOR PRICE BOOK

No	Description
138400-XXX-XXX	Triple Plus 3-panel 59 1/2 in.
136302-XXX-XXX	Decor Plus 2-panel 56 3/4 in.
135130-XXX-XXX	Tub Shield 1-panel 30 in.
135630-XXX-XXX	Tub Shield 1-panel 30 in.
135340-XXX-XXX	3 folding panels 39 1/2 in.
105410-XXX-XXX	Polar 2-panel 54 - 59 1/2 in.
105409-XXX-XXX	Mika 2-panel 54 - 59 1/2 in.
104031-XXX-XXX	Canvas 2-panel 54 - 59 1/2 in.
134561-XXX-XXX	Kameleon 6 mm 55 - 59 in.
134661-XXX-XXX	Kameleon Soft Close 6 mm 55 - 59 in.
134573-XXX-XXX	Kameleon 8 mm 55 - 59 in.
134670-XXX-XXX	Kameleon Soft Close 8 mm 55 - 59 in.
138402-XXX-XXX	Halo 1-panel 56 1/2-59 x 59 in.

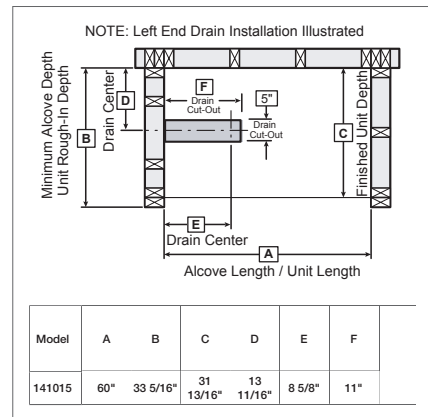
ACTSDM-3360 (cont'd)



All dimensions are approximate. Structure measurements must be verified against the unit to ensure proper fit.

FOOTNOTES - BEFORE ORDERING, PLEASE SPECIFY:

1. Components for standard color bathtubs equipped with Bodywrap Whirlpool are color-coordinated. Trim kit with metallic finish can be added, please order OPT 20209 and specify trim kit color.
2. The pump on opposite side of standard location will exceed the bathtub dimensions from 8 to 10 inches.



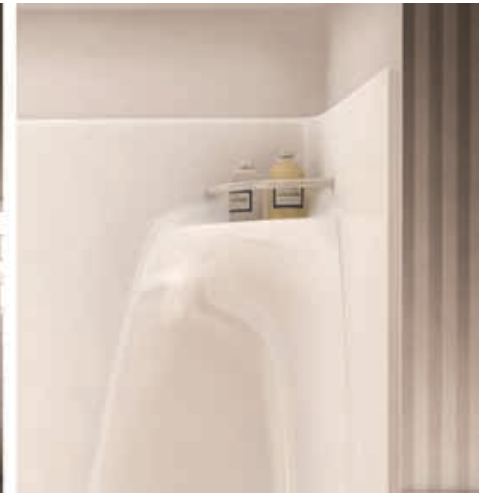
ACTS-3360

60" x 33 1/4" x 75 -76 7/8" - Acrylic
Water Capacity: Min: 38 gal. Max: 49 gal.



- One-piece acrylic tub-shower • Right or left-hand drain
- Built-in corner shelves with optional shelf rails • Optional handle
- Optional unique feature: Above-the-Floor Rough • Textured floor
- Comes with an access panel when equipped with a whirlpool system
- 14 1/2" deep sump • Bottom bathing well : 49" L x 22 1/4" W

ACRYLIC TUB SHOWERS



TUB SHOWER MODEL

No	Model	Dimensions	Pkg	Approx. weight	Std Color(s)
141014-000-XXX	1-piece tub shower 141014-R-000-XXX Right-hand drain 141014-L-000-XXX Left-hand drain Specify: Standard colors: White (001), Bone (004), Biscuit (007)	60 X 33 1/4 X 75 -76 7/8 in.	90.9 ft ³	136 lb	\$ 1,048
	1-piece tub shower AFR 141014-AFR/R-000-XXX Above-the-floor rough, right-hand drain 141014-AFR/L-000-XXX Above-the-floor rough, left-hand drain Specify: Standard colors: White (001), Bone (004), Biscuit (007)				

BODYWRAP WHIRLPOOL SYSTEM

No	Model	Approx. weight	Std Color(s)
141014-057-XXX	Tub shower with Bodywrap whirlpool w/micro switch ¹ 141014-R-057-XXX Right-hand drain 141014-L-057-XXX Left-hand drain 141014-AFR/R-057-XXX Above-the-floor rough, right-hand drain 141014-AFR/L-057-XXX Above-the-floor rough, left-hand drain Specify: Standard colors: White (001), Bone (004), Biscuit (007)	lb	\$ 2,256

COMMON OPTIONS

No	Description	Approx. weight	List Price
OPT10167-105	Brushed Nickel Shelf Rails	N/A	\$ 172
OPT10167-084	Chrome Shelf Rails	N/A	\$ 142
OPT10167-085	Polished Brass Shelf Rails	N/A	\$ 172
OPT10168	Removable access panel for non-jetted model	N/A	\$ 83
OPT10169-007	12" Handle in Biscuit	N/A	\$ 51
OPT10169-004	12" Handle in Bone	N/A	\$ 51
OPT10169-105	12" Handle in Brushed Nickel	N/A	\$ 160
OPT10169-001	12" Handle in White	N/A	\$ 51
OPT10169-084	12" Handle in Chrome	N/A	\$ 160

WHIRLPOOL OPTIONS

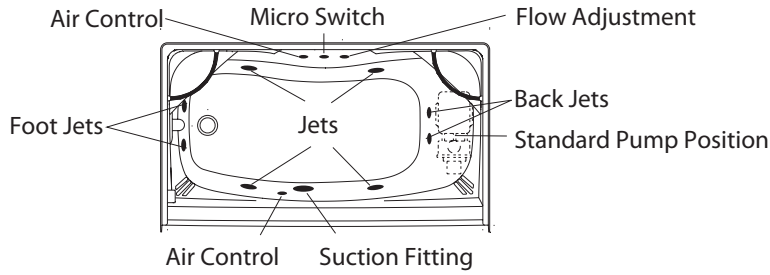
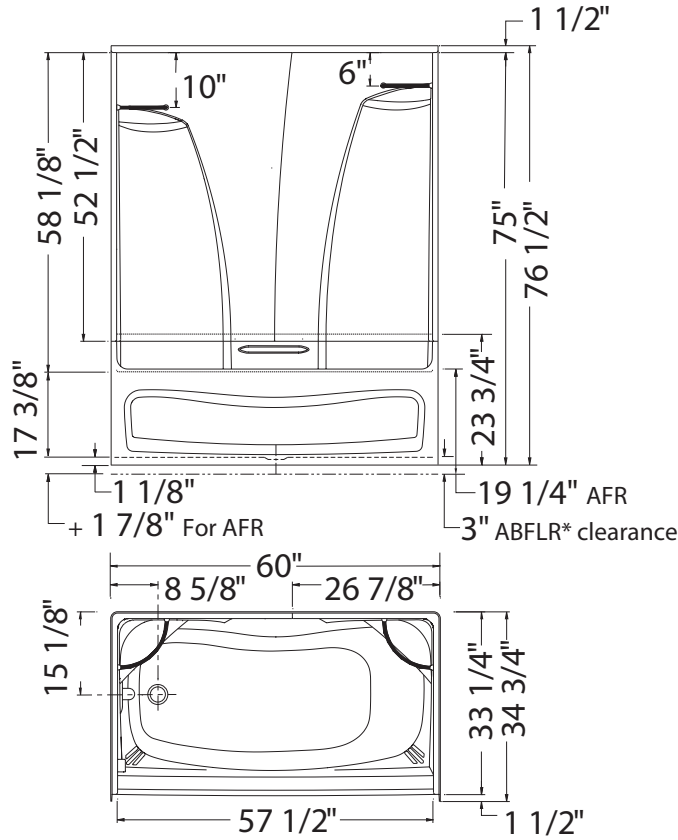
No	Description	Approx. weight	List Price
OPT10172	In-Line Heater (factory installed)	N/A	\$ 426
OPT10174	Pump position opposite standard position ²	N/A	\$ 68
OPT20139	Ozonator for Bodywrap whirlpool system	N/A	\$ 362
OPT20209-XXX	Trim kit for Bodywrap whirlpool (057) (factory installed) Available colors: Chrome (084), Polished Brass (085), Mixed Chrome and Polished Brass (164), Nickel (105) List price: Included	N/A	No Charge

ACTS-3360 (cont'd)

DOORS RECOMMENDED WITH THIS PRODUCT. REFER TO MAAX DOOR PRICE BOOK

No	Description
138400-XXX-XXX	Triple Plus 3-panel 59 1/2 in.
136302-XXX-XXX	Decor Plus 2-panel 56 3/4 in.
135130-XXX-XXX	Tub Shield 1-panel 30 in.
135630-XXX-XXX	Tub Shield 1-panel 30 in.
135340-XXX-XXX	3 folding panels 39 1/2 in.
105410-XXX-XXX	Polar 2-panel 54 - 59 1/2 in.
105409-XXX-XXX	Mika 2-panel 54 - 59 1/2 in.
104031-XXX-XXX	Canvas 2-panel 54 - 59 1/2 in.
134561-XXX-XXX	Kameleon 6 mm 55 - 59 in.
134661-XXX-XXX	Kameleon Soft Close 6 mm 55 - 59 in.
134573-XXX-XXX	Kameleon 8 mm 55 - 59 in.
134670-XXX-XXX	Kameleon Soft Close 8 mm 55 - 59 in.
138402-XXX-XXX	Halo 1-panel 56 1/2-59 x 59 in.

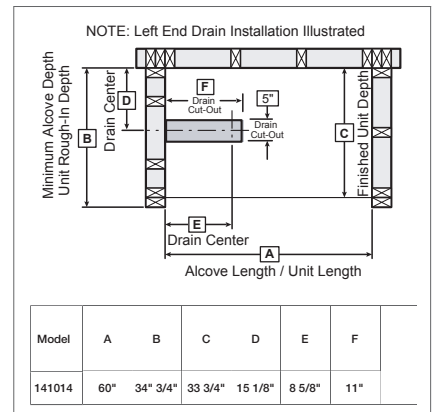
ACTS-3360 (cont'd)



All dimensions are approximate. Structure measurements must be verified against the unit to ensure proper fit.

FOOTNOTES - BEFORE ORDERING, PLEASE SPECIFY:

1. Components for standard color bathtubs equipped with Bodywrap Whirlpool are color-coordinated. Trim kit with metallic finish can be added, please order OPT 20209 and specify trim kit color.
2. The pump on opposite side of standard location will exceed the bathtub dimensions from 8 to 10 inches.



Recommended: MAAX® SHOWER DOORS WITH AKER TUB SHOWERS.

Why choose MAAX® shower doors:

- ✓ Worry-Free Experience
- ✓ Lasting Elegance
- ✓ 10-year warranty

KEY FEATURES AT A GLANCE



Soft Close

The Soft Close by MAAX feature eliminates accidental slams and pinched fingers by easing the door shut no matter how hard you slam it.



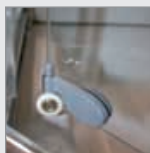
Glass Thickness

The thickness of the glass affects the overall look, feel, stability and price of a shower door. MAAX shower doors are made of first quality tempered glass and come in a variety of thicknesses: 1/4" (6 mm), 5/16" (8 mm) and 3/8" (10 mm). Choose the right thickness for the right look at the right price.



Clip and Push System

Many MAAX shower doors are equipped with easy to unclip bottom door rollers to simplify maintenance. Simply unclip, slightly push the door panel and clean away!



Reversible Header

Selected MAAX slider door headers are reversible which allow you to choose between two designs. Header styles may vary per door model.



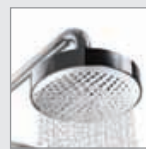
EZ Kleen® Track System

MAAX doors are easy to clean. The rollers are designed to be removed easily, which makes it simple to clean. On specified alcove sliding doors, the EZ Kleen® track system is offered.



COLOR CHART

Panel Finishes (Tempered Glass)



CLEAR (900)



DESIGN #49 (949)



DESIGN #53 (953)



EFFERVESCENCE



FROST (986)



HAMMER (965)



LINEN



MISTELITE (981)



RAINDROP (970)

Note: Not all panel finishes are available for all door models and sizes.

Aluminum Frame Finishes



WHITE (001)-(003)



CHROME (084)



NICKEL (105)



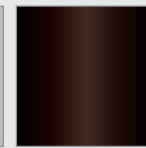
BRUSHED NICKEL (305)



MAT SILVER (170)



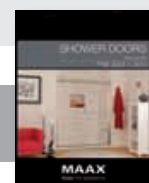
SATIN NICKEL (171)



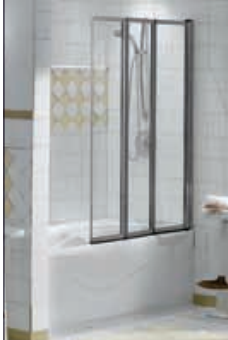
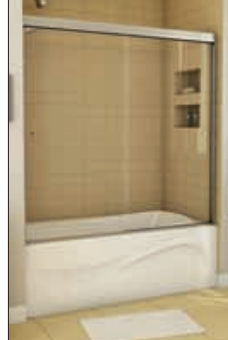

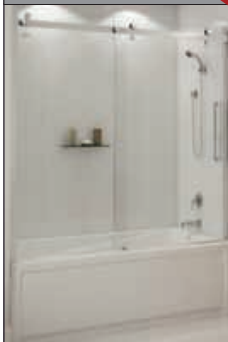
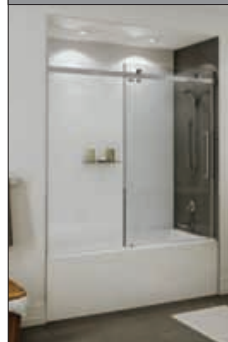

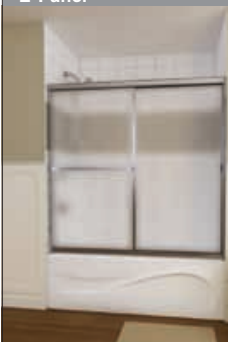



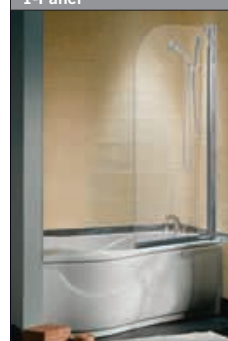
DARK BRONZE (172)

Note: Not all aluminum frame are available for all door models and sizes.

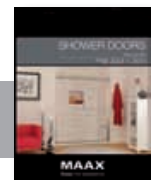
For more information, please consult MAAX® Shower Doors Price List.



MAAX® TUB SHOWER DOORS WITH AKER TUB SHOWERS

<p>3 folding panels</p> 	<p>39 1/2 x 56 1/2 IN. Door Opening 3-PANEL FOLDING Frame Finish (084) Panel Finish CLEAR (900)</p>	<p>Canvas 2-Panel</p> 	<p>R EZ 54-59 1/2 x 55 1/2 IN. Door Opening 2-PANEL SLIDER Frame Finish (170) Panel Finish CLEAR (900)</p>	<p>Decor Plus 2-Panel</p> 	<p>SG 56 3/4 x 56 IN. 59 1/2 x 56 IN. Door Opening 2-PANEL SLIDER Frame Finish (084) Panel Finish CLEAR (900) RAINDROP (970)</p>
<p>Halo 2-Panel</p> 	<p>NEW 56 1/2-59 x 59 IN. Door Opening 2-PANEL SLIDER Frame Finish (084) Panel Finish CLEAR (900)</p>	<p>Halo Tub Shield 1-Panel</p> 	<p>NEW 8 5/16 IN. 60 X 56 IN. Door Opening 1-PANEL SLIDER Frame Finish (084) Panel Finish CLEAR (900)</p>	<p>Kameleon 2-Panel</p> 	<p>NEW 6 1/4 8 5/16 MM IN. MM IN. SC R 51-55 X 57 IN 55-59 X 57 IN Door Opening 2-PANEL SLIDER Frame Finish (084) (305) (172) Panel Finish CLEAR (900) MISTELITE (981) LINEN (988) EFFERVESCENCE (989)</p>
<p>Mika 2-Panel</p> 	<p>EZ 54-59 1/2 x 55 1/2 IN. Door Opening 2-PANEL SLIDER Frame Finish (170) Panel Finish HAMMER (965)</p>	<p>Polar 2-Panel</p> 	<p>EZ 54-59 1/2 x 57 3/8 IN. Door Opening 2-PANEL SLIDER Frame Finish (084) (171) Panel Finish RAINDROP (970)</p>	<p>Session 2-Panel</p> 	<p>6 1/4 R EZ IN. IN. 54-59 1/2 x 57 3/8 IN. Door Opening 2-PANEL SLIDER Frame Finish (084) Panel Finish CLEAR (900)</p>
<p>Triple Plus 3-Panel</p> 	<p>SG 52 1/2 x 56 IN. 55 x 56 IN. 59 1/2 x 56 IN. 64 1/2 x 56 IN. 72 x 56 IN. Door Opening 3-PANEL SLIDER Frame Finish (001) (084) (105) Panel Finish CLEAR (900) DESIGN #49 (949) RAINDROP (970) MIRROR (-)</p>	<p>Tub Shield 1-Panel</p> 	<p>30 x 56 1/2 IN. Door Opening 1-PANEL PIVOT Frame Finish (084) Panel Finish CLEAR (900)</p>		

For more information, please consult **MAAX** Shower Doors Price List.



SHOWERS



SHOWERS

SHLS/RS-48 ALCOVE SHOWER



REFERENCE GUIDE: ONE-PIECE SHOWERS

GELCOAT ALCOVE SHOWERS

SHLS/RS 60 p. 235



ALCOVE 1P 60 x 36 x 77

S-60 p. 237



ALCOVE 1P 60 x 36 x 75

SHT-60 p. 239



ALCOVE 1P 60 x 35 x 72

SHLS/RS-48 p. 241



ALCOVE 1P 48 x 36 x 77

S-48 p. 243



ALCOVE 1P 48 x 36 x 75

NS-48 p. 245



ALCOVE 1P 48 x 35 x 72

REFERENCE GUIDE: ONE-PIECE SHOWERS (cont'd)

GELCOAT ALCOVE SHOWERS (CONT'D)

SHRST/LST-48 p. 247



ALCOVE 1P 48 x 35 x 74

SHT-48 p. 249



ALCOVE 1P 48 x 35 x 71

SHW-48 p. 251



ALCOVE 1P 48 x 35 x 82

S-42 p. 253



ALCOVE 1P 42 x 35 x 72

SH-4242HR p. 255



ALCOVE 1P 42 x 42 x 73

SHT-4242HR p. 257



ALCOVE 1P 42 x 42 x 73

REFERENCE GUIDE: ONE-PIECE SHOWERS (cont'd)

GELCOAT ALCOVE SHOWERS (CONT'D)

SHW-36 p. 259



ALCOVE 1P 35 x 36 x 80

S-36 p. 261



ALCOVE 1P 36 x 36 x 72

S-36T p. 263



ALCOVE 1P 36 x 36 x 72

SHT-36 p. 265



ALCOVE 1P 36 x 35 x 72

S-32 p. 267



ALCOVE 1P 32 x 32 x 72

REFERENCE GUIDE: ONE-PIECE SHOWERS (cont'd)

GELCOAT CORNER SHOWERS

SH-NA p. 269



ALCOVE- CORNER 1P 38 x 38 x 78

SH-NARD p. 271



ALCOVE- CORNER 1P 36 x 36 x 79

SH-RD p. 273



ALCOVE- CORNER 1P 36 x 36 x 78

CORS-36 p. 275



ALCOVE- CORNER 1P 36 x 36 x 77

REFERENCE GUIDE: ONE-PIECE SHOWERS (cont'd)

ACRYLIC ALCOVE SHOWERS

ACS/RS/LS/NS-60 p. 277



ACSHDM/RSDM/LSDM/NSDM-60 p. 279



ACSH/RS/LS/NS-60 p. 281



ACS-48 p. 283



ACSHRSDM/LSDM/NSDM-48 p. 285



ACSH-48 p. 287



REFERENCE GUIDE: ONE-PIECE SHOWERS (cont'd)

ACRYLIC ALCOVE SHOWERS (CONT'D)

ACSHDM-36 p. 289



ALCOVE

1P 36 x 33 x 88

ACSH-36 p. 291



ALCOVE

1P 36 x 33 x 75

ACS-36 p. 293



ALCOVE

1P 36 x 33 x 84

ACRYLIC CORNER SHOWERS

ACSH-NA p. 295



ALCOVE- CORNER

1P 39 x 39 x 78

ACSH-RD p. 297



ALCOVE- CORNER

1P 36 x 36 x 78

SUMMARY: ONE-PIECE SHOWERS

NAME	MODEL	EXTERNAL DIMENSIONS	MATERIAL	INSTALLATION			DRAIN LOCATION	GRAB BARS	HANDLE	TOWEL BAR	INTEGRATED SHELVING	GUARDRAILS FOR SHELVES	INTEGRATED SEAT	ROOF CAP	DOOR	PAGE
				ALCOVE	CORNER	# OF PIECES										
GELCOAT ALCOVE SHOWERS																
SHLS/RS-60	141036-R/L	60 x 36 x 77	Gelcoat	●		1P	Center	Opt.	●	2		L or R	Opt.	Opt.		235
S-60	141029	60 x 36 x 75	Gelcoat	●		1P	Center			2		L & R	Opt.	Opt.		237
SHT-60	141032	60 x 35 x 72	Gelcoat	●		1P	Center		●	2		L & R		Opt.		239
SHLS/RS-48	141033-L/R	48 x 36 x 77	Gelcoat	●		1P	Center	Opt.	●	2		L or R	Opt.	Opt.		241
S-48	141027	48 x 36 x 75	Gelcoat	●		1P	Center			2		L & R	Opt.	Opt.		243
NS-48	141026	48 x 35 x 72	Gelcoat	●		1P	Center			2				Opt.		245
SHRST/LST-48	141035-L/R	48 x 35 x 74	Gelcoat	●		1P	Center		●	2		L or R		Opt.		247
SHT-48	141031	48 x 35 x 71	Gelcoat	●		1P	Center		●	2		L & R		Opt.		249
SHW-48	141135	48 x 35 x 82	Gelcoat	●		1P	Center			2		Opt.		Opt.		251
S-42	141025	42 x 35 x 72	Gelcoat	●		1P	Center			2				Opt.		253
SH-4242HR	141157	42 x 42 x 73	Gelcoat	●		1P	Center			2				Opt.		255
SHT-4242HR	141158	42 x 42 x 73	Gelcoat	●		1P	Center			2				Opt.		257
SHW-36	141134	35 x 36 x 80	Gelcoat	●		1P	Center			2				Opt.		259
S-36	141022	36 x 36 x 72	Gelcoat	●		1P	Center			2			Opt.	Opt.		261
S-36T	141186	36 x 36 x 72	Gelcoat	●		1P	Center			2				Opt.		263
SHT-36	141024	36 x 35 x 72	Gelcoat	●		1P	Center		●	2				Opt.		265
S-32	141021	32 x 32 x 72	Gelcoat	●		1P	Center			2				Opt.		267
GELCOAT CORNER SHOWERS																
SH-NA	141038	38 x 38 x 78	Gelcoat		●	1P	Center			3				Opt.		269
SH-NARD	141040	36 x 36 x 79	Gelcoat		●	1P	Center			3				Opt.		271
SH-RD	141039	36 x 36 x 78	Gelcoat		●	1P	Center			3				Opt.		273
CORS-36	141041	36 x 36 x 77	Gelcoat		●	1P	Center			1				Opt.		275
ACRYLIC ALCOVE SHOWERS																
ACS/RS/LS/NS-60	141148	60 x 36 x 84	Acrylic	●		1P	Center		●	2				Opt.		277
ACSHDM/RSDM/LSDM/NSDM-60	141055	60 x 33 x 88	Acrylic	●		1P	Center, L or R	Opt.		2		Opt.		Opt.		279
ACSH/RS/LS/NS-60	141054	60 x 33 x 75	Acrylic	●		1P	Center	Opt.		2		Opt.		Opt.		281
ACS/RS/LS/NS-48	141147	48 x 36 x 84	Acrylic	●		1P	Center		●	2		Opt.		Opt.		283
ACSHRSDM/LSDM/NSDM-48	141053	48 x 33 x 88	Acrylic	●		1P	Center	Opt.		2	Opt.	Opt.		Opt.		285
ACSHRS/LS/NS-48	141051	48 x 33 x 75	Acrylic	●		1P	Center	Opt.		2		Opt.		Opt.		287
ACSHDM-36	141050	36 x 33 x 88	Acrylic	●		1P	Center			2				Opt.		289
ACSH-36	141048	36 x 33 x 75	Acrylic	●		1P	Center			2			Opt.	Opt.		291
ACS-36	141146	36 x 33 x 84	Acrylic	●		1P	Center			2				Opt.		293
ACRYLIC CORNER SHOWERS																
ACSH-NA	141056	39 x 39 x 78	Acrylic		●	1P	Center			3				Opt.		295
ACSH-RD	141057	36 x 36 x 78	Acrylic		●	1P	Center			3			Opt.	Opt.		297

SHLS/RS-60

60" x 36" x 76 1/2" - Gelcoat

- One-piece gelcoated fiberglass shower with optional roofcap
- Two-level built-in corner shelves
- Right or left-hand seat with integrated footrest (opposite to seat)
- Center drain • Textured floor
- Optional unique features: Above-the-Floor Rough and grab bars



GELCOAT ALCOVE SHOWERS

SHOWER MODEL

No	Model	Dimensions	Pkg	Approx. weight	Std Color(s)	Non-std Colors
141036-000-XXX	1-piece shower 141036-R-000-XXX Right-hand seat and center drain 141036-L-000-XXX Left-hand seat and center drain Specify: Standard colors: White (002), Bone (004), Biscuit (007) Non-standard colors: Refer to color chart in this book.	60 X 36 X 76 1/2 in.	99.57 ft ³	126 lb	\$ 748	\$ 848
	1-piece shower AFR 141036-AFR/R-000-XXX Above-the-floor rough, right-hand seat and center drain 141036-AFR/L-000-XXX Above-the-floor rough, left-hand seat and center drain Specify: Standard colors: White (002), Bone (004), Biscuit (007) Non-standard colors: Refer to color chart in this book.					
141037-000-XXX	Gelcoated fiberglass roofcap Specify: Standard colors: White (002), Bone (004), Biscuit (007) Non-standard colors: Refer to color chart in this book.	60 X 36 X 87 1/2 in.	18 ft ³	28 lb	\$ 281	\$ 331

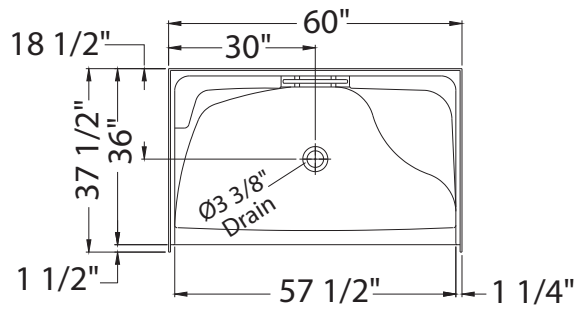
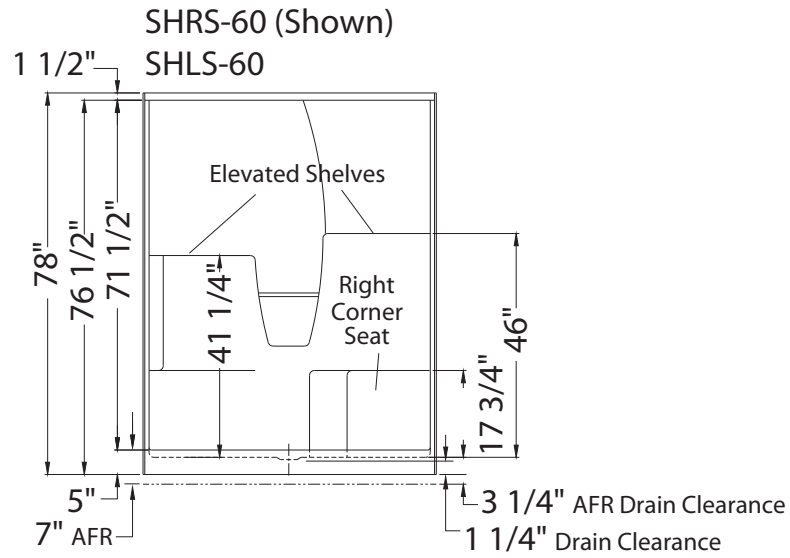
COMMON OPTIONS

No	Description	Approx. weight	List Price
OPT10171	Light for cap (Factory drilled hole)	N/A	\$ 166
OPT10181	Factory-Installed 13" White, Powdered Coated 1 1/4" Grab Bar Opposite Seat	N/A	\$ 82
OPT10182	Factory-Installed 16" White, Powdered Coated 1 1/4" Grab Bar as Acrylic Bar Replacement	N/A	\$ 38

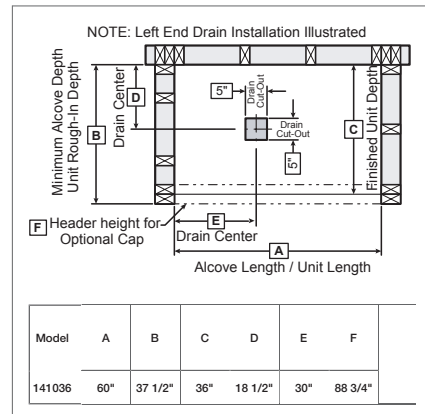
DOORS RECOMMENDED WITH THIS PRODUCT. REFER TO MAAX DOOR PRICE BOOK

No	Description
136457-XXX-XXX	Kleara® 2-panel 54 1/2 - 57 1/2 in.
136458-XXX-XXX	Kleara® 2-panel 57 1/2 - 60 1/2 in.
105415-XXX-XXX	Session 2-panel 54 - 59 1/2 in.
134572-XXX-XXX	Kameleon 8 mm 55 - 59 in.
134675-XXX-XXX	Kameleon Soft Close 8 mm 55 - 59 in.
134565-XXX-XXX	Kameleon 6 mm 55-59 in.
134665-XXX-XXX	Kameleon Soft Close 6 mm 55-59 in.

SHLS/RS-60 (cont'd)



All dimensions are approximate. Structure measurements must be verified against the unit to ensure proper fit.



S-60

60" x 35 1/2" x 74 1/2" - Gelcoat

- One-piece gelcoated fiberglass shower with optional roofcap
- Built-in corner shelves
- Twin seats
- Center drain
- Textured floor



GELCOAT ALCOVE SHOWERS

SHOWER MODEL

No	Model	Dimensions	Pkg	Approx. weight	Std Color(s)	Non-std Colors
141029-000-XXX	1-piece shower 141029-000-XXX Twin seats and center drain Specify: Standard colors: White (002), Bone (004), Biscuit (007) Non-standard colors: Refer to color chart in this book.	60 X 35 1/2 X 74 1/2 in.	98.53 ft ³	135 lb	\$ 723	\$ 823
141030-000-XXX	Gelcoated fiberglass roofcap Specify: Standard colors: White (002), Bone (004), Biscuit (007) Non-standard colors: Refer to color chart in this book.	60 X 36 X 83 1/2 in.	18 ft ³	35 lb	\$ 281	\$ 331

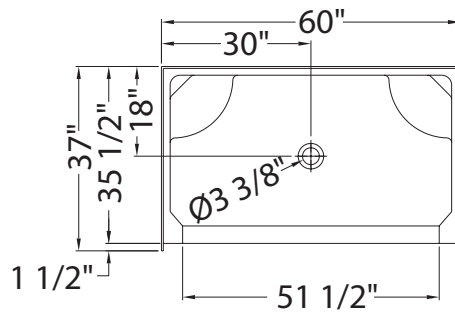
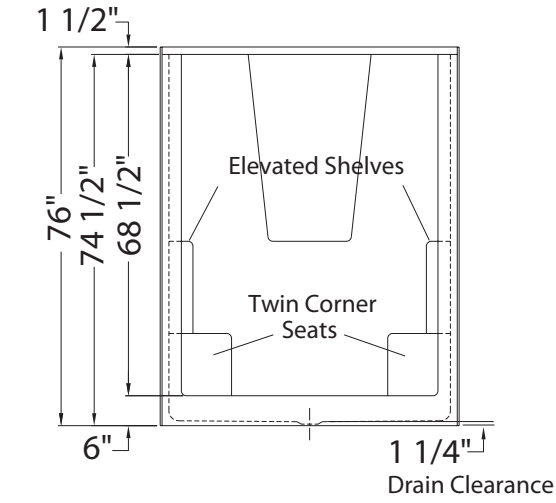
COMMON OPTIONS

No	Description	Approx. weight	List Price
OPT10171	Light for cap (Factory drilled hole)	N/A	\$ 166

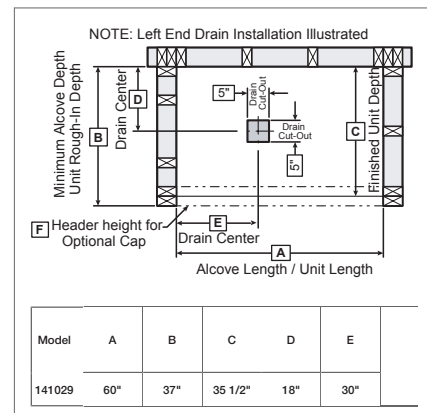
DOORS RECOMMENDED WITH THIS PRODUCT. REFER TO MAAX DOOR PRICE BOOK

No	Description
138313-XXX-XXX	Triple Plus 3-panel 52 1/2 x 66 in. (1334 x 1676 mm)

S-60 (cont'd)



All dimensions are approximate. Structure measurements must be verified against the unit to ensure proper fit.



SHT-60

60" x 35" x 72 1/4" - Gelcoat

- One-piece gelcoated fiberglass shower with 6 in. simulated tile pattern
- Built-in back wall shelves with standard clear acrylic bar
- Twin seats
- Center drain
- Textured floor



GELCOAT ALCOVE SHOWERS

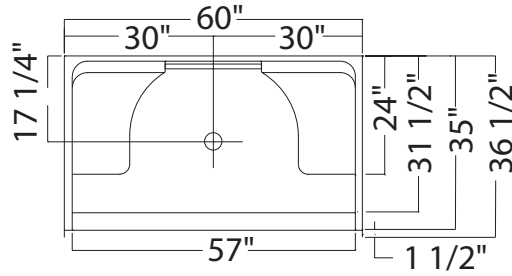
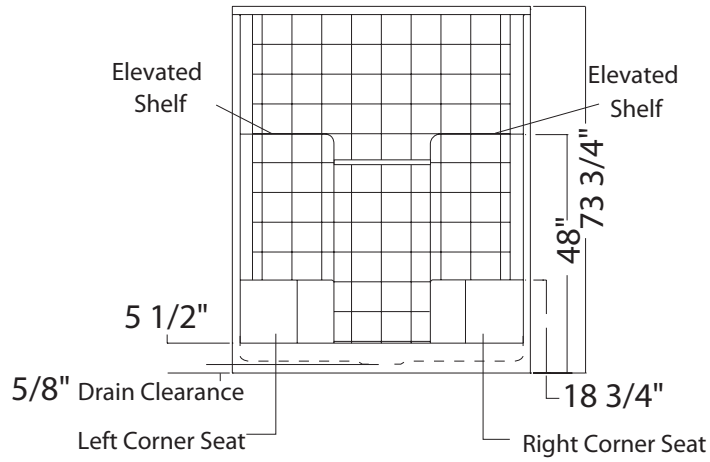
SHOWER MODEL

No	Model	Dimensions	Pkg	Approx. weight	Std Color(s)	Non-std Colors
141032-000-XXX	1-piece shower 141032-000-XXX Twin seats and center drain Specify: Standard colors: White (002), Bone (004), Biscuit (007) Non-standard colors: Refer to color chart in this book.	60 X 35 X 72 1/4 in.	89.98 ft ³	133 lb	\$ 797	\$ 897

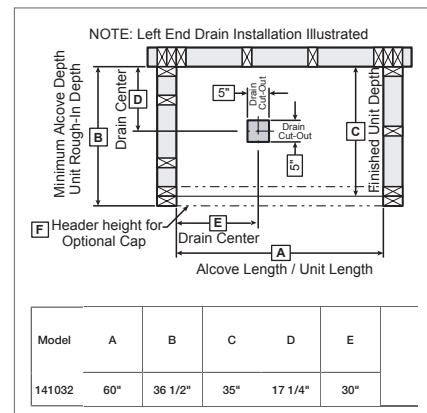
DOORS RECOMMENDED WITH THIS PRODUCT. REFER TO MAAX DOOR PRICE BOOK

No	Description
138315-XXX-XXX	Triple Plus 3-panel 58 x 66 in.

SHT-60 (cont'd)



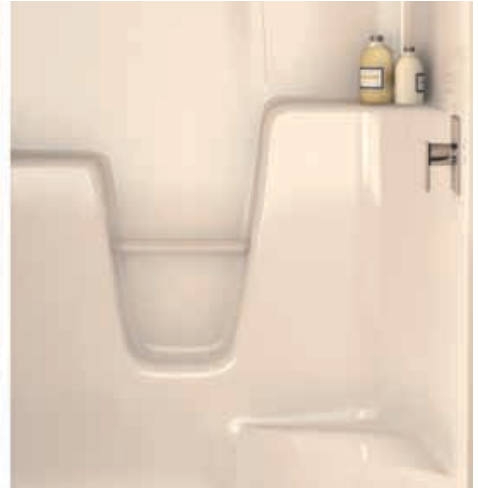
All dimensions are approximate. Structure measurements must be verified against the unit to ensure proper fit.



SHLS/RS-48

48 1/4" x 36" x 76 1/2" - 78 1/2" - Gelcoat

- One-piece gelcoated fiberglass shower with optional roofcap
- Two-level built-in corner shelves with standard clear acrylic bar
- Right or left-hand seat
- Center drain • Textured floor
- Optional unique features: Above-the-Floor Rough and grab bars



GELCOAT ALCOVE SHOWERS

SHOWER MODEL

No	Model	Dimensions	Pkg	Approx. weight	Std Color(s)	Non-std Colors
141033-000-XXX	1-piece shower 141033-R-000-XXX Right-hand seat and center drain 141033-L-000-XXX Left-hand seat and center drain Specify: Standard colors: White (002), Bone (004), Biscuit (007) Non-standard colors: Refer to color chart in this book.	48 1/4 X 36 X 76 1/2 - 78 1/2 in.	79.91 ft ³	106 lb	\$ 636	\$ 736
	1-piece shower AFR 141033-AFR/R-000-XXX Above-the-floor rough, right-hand seat and center drain 141033-AFR/L-000-XXX Above-the-floor rough, left-hand seat and center drain Specify: Standard colors: White (002), Bone (004), Biscuit (007) Non-standard colors: Refer to color chart in this book.					
141034-000-XXX	Gelcoated fiberglass roofcap Specify: Standard colors: White (002), Bone (004), Biscuit (007) Non-standard colors: Refer to color chart in this book.	48 1/4 X 36 X 87 1/2 in.	14.5 ft ³	28 lb	\$ 259	\$ 309

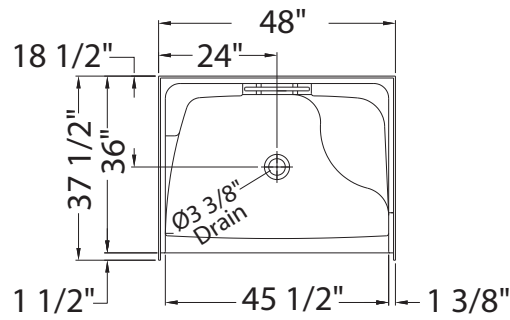
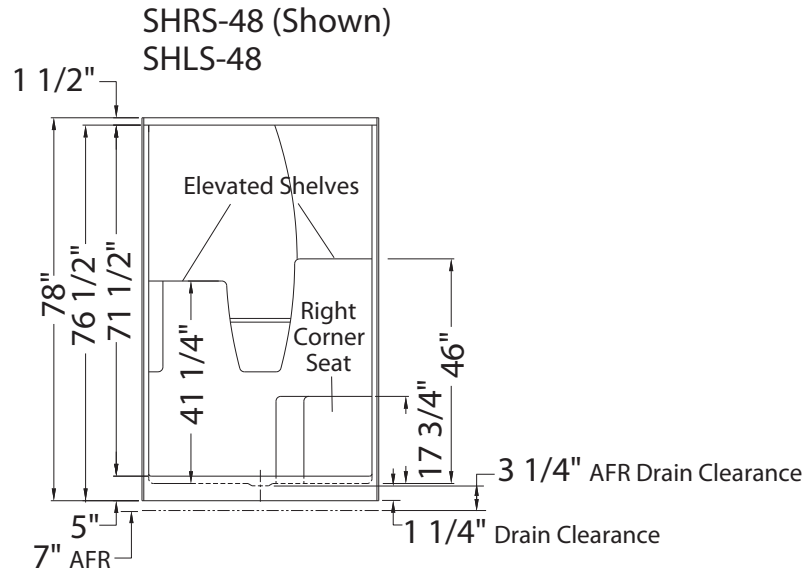
COMMON OPTIONS

No	Description	Approx. weight	List Price
OPT10171	Light for cap (Factory drilled hole)	N/A	\$ 166
OPT10181	Factory-Installed 13" White, Powdered Coated 1 1/4" Grab Bar Opposite Seat ¹	N/A	\$ 82
OPT10182	Factory-Installed 16" White, Powdered Coated 1 1/4" Grab Bar ¹ as Acrylic Bar Replacement	N/A	\$ 38

DOORS RECOMMENDED WITH THIS PRODUCT. REFER TO MAAX DOOR PRICE BOOK

No	Description
138296-XXX-XXX	Triple Plus 3-panel 44 1/2 x 66 in.
136454-XXX-XXX	Kleara® 2-panel 45 1/2 - 48 1/2 in.
105414-XXX-XXX	Session 2-panel 42 - 47 1/2 in.
105413-XXX-XXX	Polar 2-panel 42 - 47 1/2 in.
136671-XXX-XXX	Reveal 71 pivot door 44 - 47 x 71 1/2 in.
134571-XXX-XXX	Kameleon 8 mm 43 - 47 in.
134674-XXX-XXX	Kameleon Soft Close 8 mm 43 - 47 in.
134563-XXX-XXX	Kameleon 6 mm 43-47 in.
134663-XXX-XXX	Kameleon Soft Close 6 mm 43-47 in.

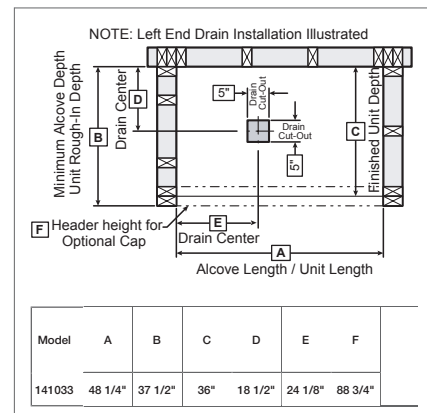
SHLS/RS-48 (cont'd)



All dimensions are approximate. Structure measurements must be verified against the unit to ensure proper fit.

FOOTNOTES - BEFORE ORDERING, PLEASE SPECIFY:

1. Installation height: Center of bar 33 1/2" from unit floor.



S-48

48" x 36" x 75" - Gelcoat

- One-piece gelcoated fiberglass shower with optional roofcap
- Built-in corner shelves
- Twin seats
- Center drain
- Textured floor



GELCOAT ALCOVE SHOWERS

SHOWER MODEL

No	Model	Dimensions	Pkg	Approx. weight	Std Color(s)	Non-std Colors
141027-000-XXX	1-piece shower 141027-000-XXX Twin seats and center drain Specify: Standard colors: White (002), Bone (004), Biscuit (007) Non-standard colors: Refer to color chart in this book.	48 X 36 X 75 in.	79.14 ft ³	118 lb	\$ 630	\$ 730
141028-000-XXX	Gelcoated fiberglass roofcap Specify: Standard colors: White (002), Bone (004), Biscuit (007) Non-standard colors: Refer to color chart in this book.	48 X 36 X 84 in.	14.21 ft ³	28 lb	\$ 259	\$ 309

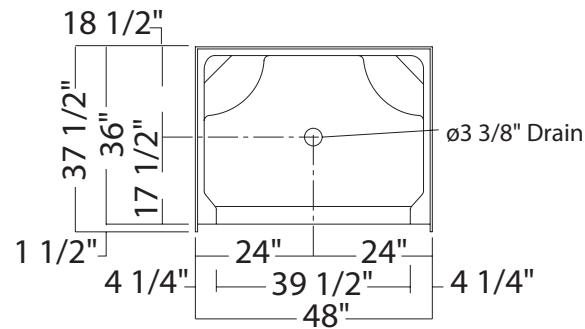
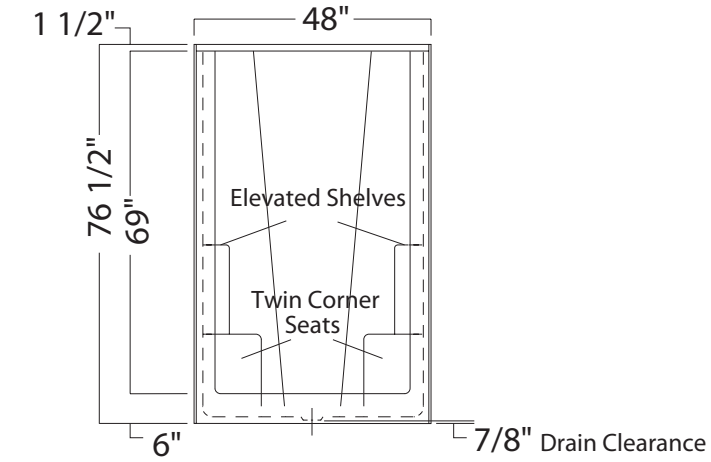
COMMON OPTIONS

No	Description	Approx. weight	List Price
OPT10171	Light for cap (Factory drilled hole)	N/A	\$ 166

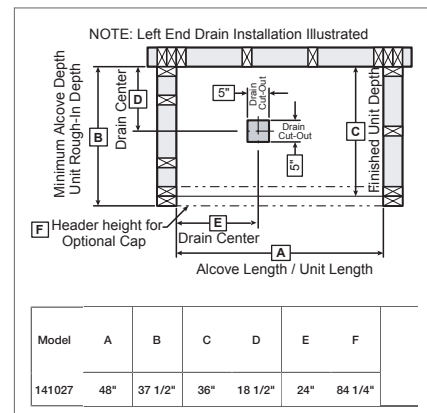
DOORS RECOMMENDED WITH THIS PRODUCT. REFER TO MAAX DOOR PRICE BOOK

No	Description
138293-XXX-XXX	Triple Plus 3-panel 40 x 66 in.
136452-XXX-XXX	Kleara® 2-panel 39 1/2 - 42 1/2 in.

S-48 (cont'd)



All dimensions are approximate. Structure measurements must be verified against the unit to ensure proper fit.



NS-48

48" x 35 1/4" x 72" - Gelcoat

- One-piece gelcoated fiberglass shower
- Built-in wide corner shelves
- Center drain
- Textured floor
- Optional unique feature: Reinforced walls



GELCOAT ALCOVE SHOWERS

SHOWER MODEL

No	Model	Dimensions	Pkg	Approx. weight	Std Color(s)	Non-std Colors
141026-000-XXX	1-piece shower 141026-000-XXX Center drain Specify: Standard colors: White (002), Bone (004), Biscuit (007) Non-standard colors: Refer to color chart in this book.	48 X 35 1/4 X 72 in.	74.25 ft ³	107 lb	\$ 645	\$ 745

COMMON OPTIONS

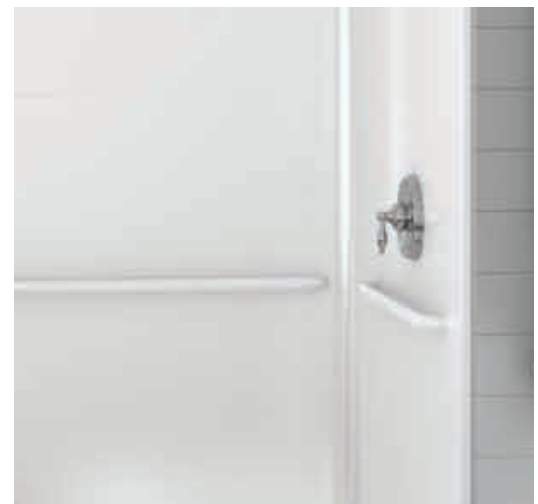
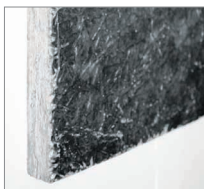
No	Description	Approx. weight	List Price
OPT10189	Wall reinforcement (Three walls) ¹	N/A	\$ 141
OPT20212-B	Back Wall reinforcement ¹	N/A	\$ 47
OPT20212-L	Left Wall reinforcement ¹	N/A	\$ 47
OPT20212-R	Right Wall reinforcement ¹	N/A	\$ 47

DOORS RECOMMENDED WITH THIS PRODUCT. REFER TO MAAX DOOR PRICE BOOK

No	Description
138296-XXX-XXX	Triple Plus 3-panel 44 1/2 x 66 in.

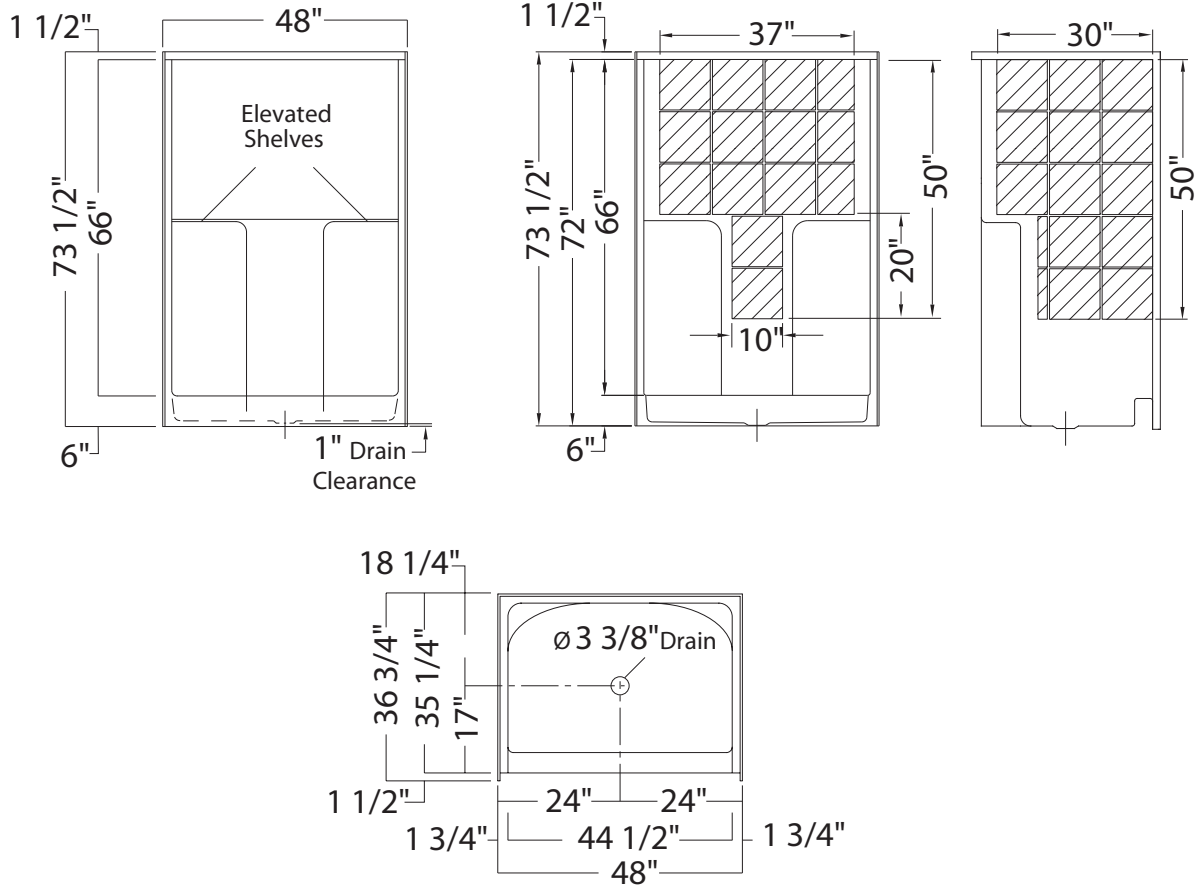
REINFORCED SIDES FOR A STURDIER AND SAFER SHOWER

Sidewalls reinforced with fiberglass and wood ensure sturdier shower door and grab bar installation, [meaning a safer overall product.](#)



NS-48 (cont'd)

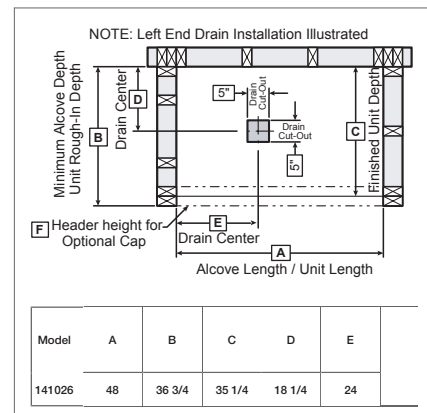
With reinforcement



All dimensions are approximate. Structure measurements must be verified against the unit to ensure proper fit.

FOOTNOTES - BEFORE ORDERING, PLEASE SPECIFY:

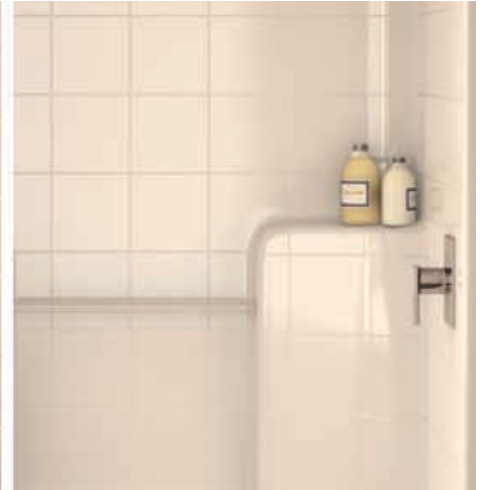
1. Please see technical drawings for reinforcement positioning and size.



SHRST/LST-48

48" x 35" x 73 3/4" - Gelcoat

- One-piece gelcoated fiberglass shower with 6 in. simulated tile pattern
- Built-in back wall shelves with integrated soap dish
- Standard clear acrylic bar
- Right or left-hand seat
- Center drain • Textured floor



GELCOAT ALCOVE SHOWERS

SHOWER MODEL

No	Model	Dimensions	Pkg	Approx. weight	Std Color(s)	Non-std Colors
141035-000-XXX	1-piece shower 141035-R-000-XXX Right-hand seat and center drain 141035-L-000-XXX Left-hand seat and center drain Specify: Standard colors: White (002), Bone (004), Biscuit (007) Non-standard colors: Refer to color chart in this book.	48 X 35 X 73 3/4 in.	78.22 ft ³	106 lb	\$ 681	\$ 781

DOORS RECOMMENDED WITH THIS PRODUCT. REFER TO MAAX DOOR PRICE BOOK

No	Description
138296-XXX-XXX	Triple Plus 3-panel 44 1/2 x 66 in.
136453-XXX-XXX	Kleara® 2-panel 42 1/2 - 45 1/2 in.
105413-XXX-XXX	Polar 2-panel 42 - 47 1/2 in.

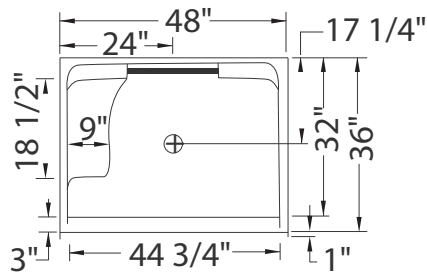
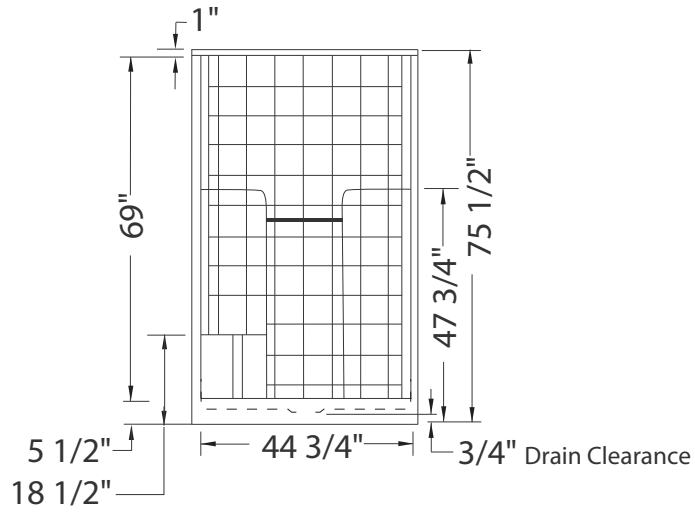
MAAX® SHOWER DOORS

MAAX offers a [wide selection of custom-fit shower door styles](#) that work seamlessly with many AKER bathtubs, tub showers, showers and shower bases. Consult the Recommended MAAX Shower Doors list at the end of each product section for more information.

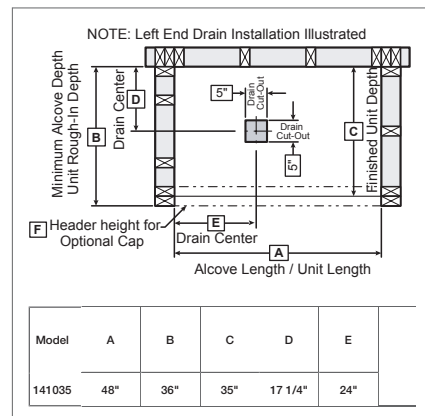
www.maax.com



SHRST/LST-48 (cont'd)



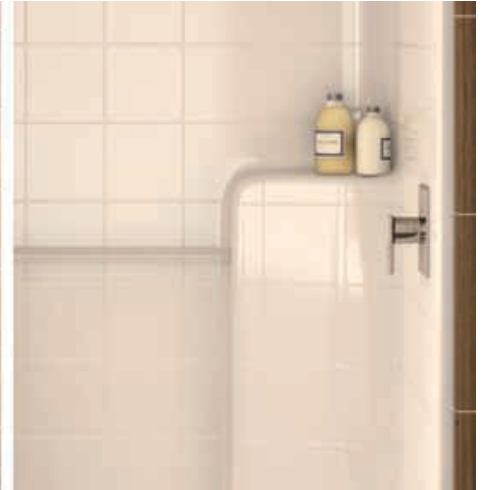
All dimensions are approximate. Structure measurements must be verified against the unit to ensure proper fit.



SHT-48

48" x 35" x 71 1/4" - Gelcoat

- One-piece gelcoated fiberglass shower with 6 in. simulated tile pattern
- Built-in back wall shelves with integrated soap dish
- Standard clear acrylic bar
- Twin seats
- Center drain • Textured floor



GELCOAT ALCOVE SHOWERS

SHOWER MODEL

No	Model	Dimensions	Pkg	Approx. weight	Std Color(s)	Non-std Colors
141031-000-XXX	1-piece shower 141031-000-XXX With twin seats and center drain Specify: Standard colors: White (002), Bone (004), Biscuit (007) Non-standard colors: Refer to color chart in this book.	48 X 35 X 71 1/4 in.	74.06 ft ³	127 lb	\$ 697	\$ 797

DOORS RECOMMENDED WITH THIS PRODUCT. REFER TO MAAX DOOR PRICE BOOK

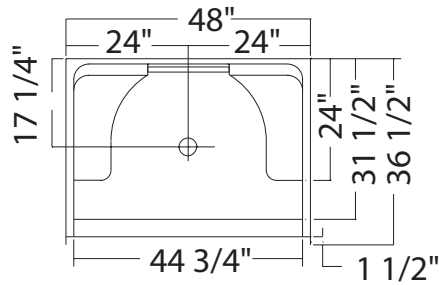
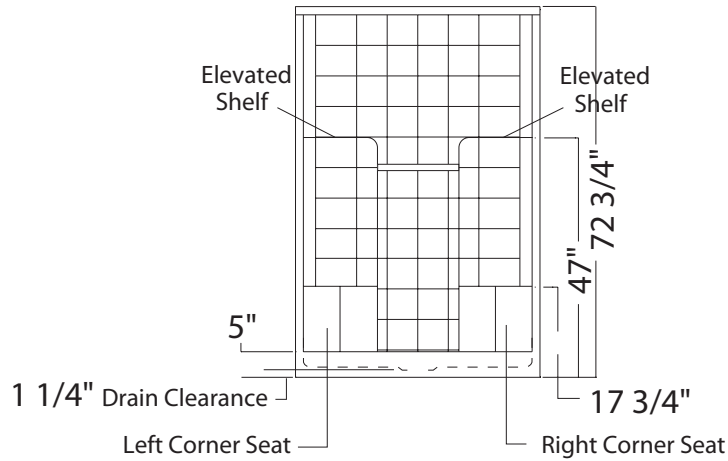
No	Description
138296-XXX-XXX	Triple Plus 3-panel 44 1/2 x 66 in.

TOUGH FROM BOTTOM UP

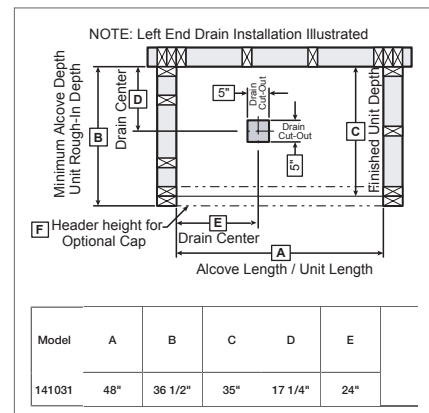
We use 1/2" of balsa wood, sandwiched between layers of reinforced fiberglass, to stabilize our four-part "Anti-flex" construction. Balsa wood is unique from other woods; it's extremely light but remarkably strong. The balsa wood is constructed to conform with the contours of the unit's base for maximum surface contact, ensuring superior base strength that eliminates floor fatigue and adds years of life to our products.



SHT-48 (cont'd)



All dimensions are approximate. Structure measurements must be verified against the unit to ensure proper fit.



SHW-48

47 7/8" x 34 1/2" x 82" - Gelcoat

- One-piece gelcoated fiberglass shower
- Built-in corner shelves
- Right/left-hand seat or no seat
- Center drain • Textured floor
- Optional unique feature: Reinforced walls



SHOWER MODEL

No	Model	Dimensions	Pkg	Approx. weight	Std Color(s)	Non-std Colors
141135-000-XXX	1-piece shower 141135-R-000-XXX With right-hand seat 141135-L-000-XXX With left-hand seat 141135-000-XXX No seat Specify: Standard colors: White (002), Bone (004), Biscuit (007) Non-standard colors: Refer to color chart in this book.	47 7/8 X 34 1/2 X 82 in.	80.36 ft ³	90 lb	\$ 612	\$ 712

COMMON OPTIONS

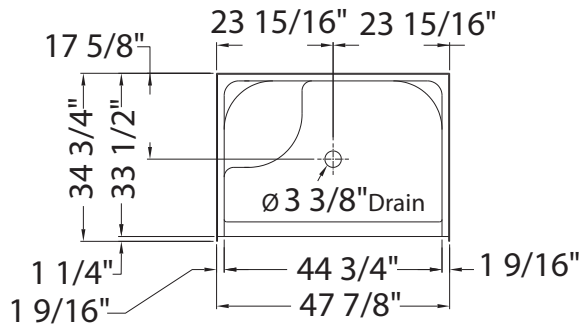
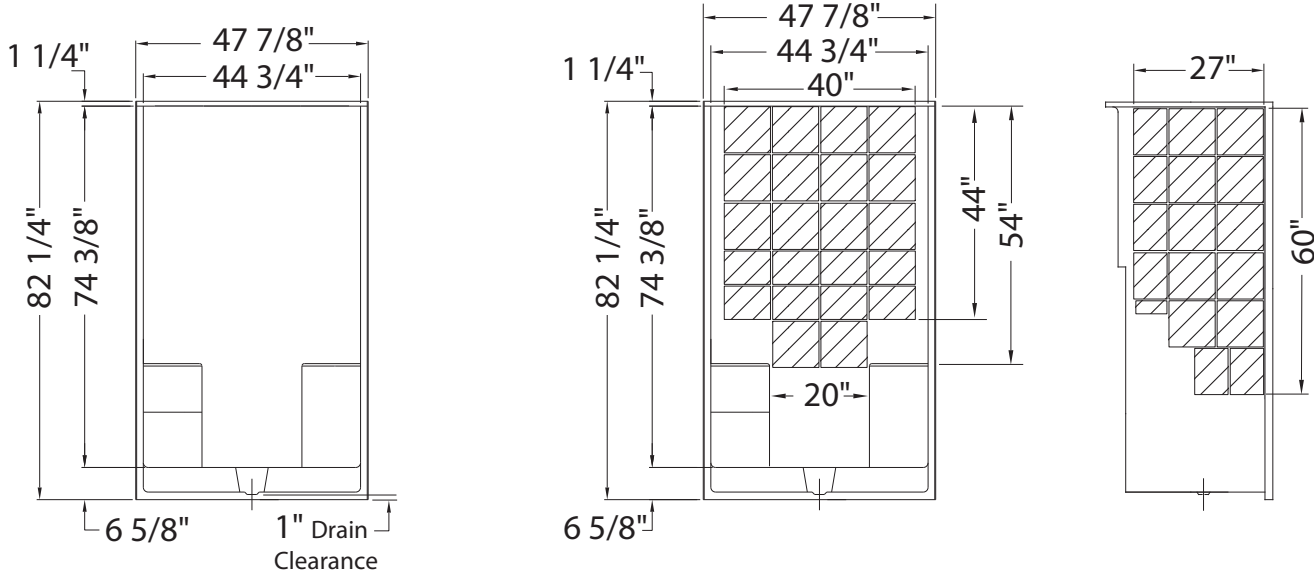
No	Description	Approx. weight	List Price
OPT10189	Wall reinforcement (Three walls) ¹	N/A	\$ 141
OPT20212-B	Back Wall reinforcement ¹	N/A	\$ 47
OPT20212-L	Left Wall reinforcement ¹	N/A	\$ 47
OPT20212-R	Right Wall reinforcement ¹	N/A	\$ 47

DOORS RECOMMENDED WITH THIS PRODUCT. REFER TO MAAX DOOR PRICE BOOK

No	Description
136453-XXX-XXX	Kleara® 2-panel 42 1/2 - 45 1/2 in.
105414-XXX-XXX	Session 2-panel 42 - 47 1/2 in.
105413-XXX-XXX	Polar 2-panel 42 - 47 1/2 in.
136671-XXX-XXX	Reveal 71 pivot door 44 - 47 x 71 1/2 in.
134562-XXX-XXX	Kameleon 6 mm 40-44 in.
134662-XXX-XXX	Kameleon Soft Close 6 mm 40-44 in.

SHW-48 (cont'd)

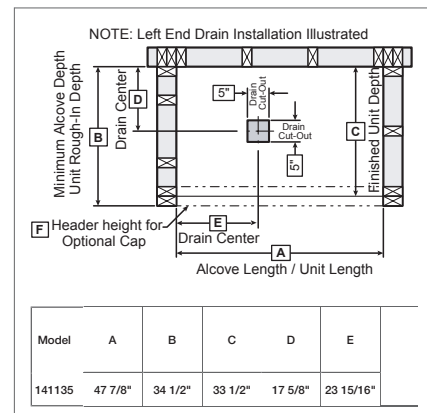
With reinforcement



All dimensions are approximate. Structure measurements must be verified against the unit to ensure proper fit.

FOOTNOTES - BEFORE ORDERING, PLEASE SPECIFY:

1. Please see technical drawings for reinforcement positioning and size.



S-42

42" x 35 1/4" x 72" - Gelcoat

- One-piece gelcoated fiberglass shower
- Built-in wide corner shelves
- Center drain
- Textured floor
- Optional unique feature: Reinforced walls



GELCOAT ALCOVE SHOWERS

SHOWER MODEL

No	Model	Dimensions	Pkg	Approx. weight	Std Color(s)	Non-std Colors
141025-000-XXX	1-piece shower 141025-000-XXX Center drain Specify: Standard colors: White (002), Bone (004), Biscuit (007) Non-standard colors: Refer to color chart in this book.	42 X 35 1/4 X 72 in.	64.9 ft ³	100 lb	\$ 630	\$ 730

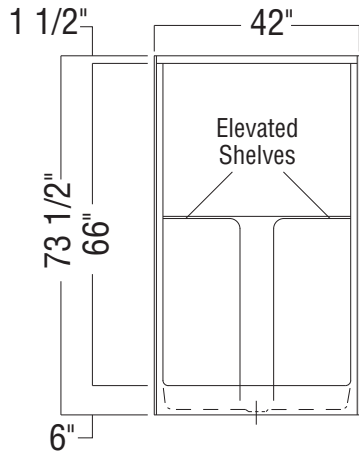
COMMON OPTIONS

No	Description	Approx. weight	List Price
OPT10189	Wall reinforcement (Three walls) ¹	N/A	\$ 141
OPT20212-B	Back Wall reinforcement ¹	N/A	\$ 47
OPT20212-L	Left Wall reinforcement ¹	N/A	\$ 47
OPT20212-R	Right Wall reinforcement ¹	N/A	\$ 47

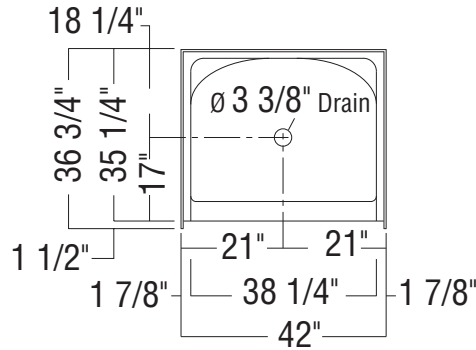
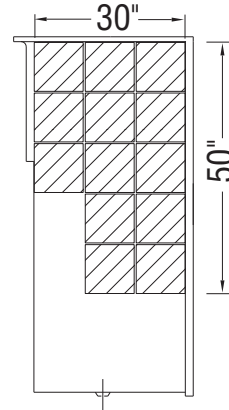
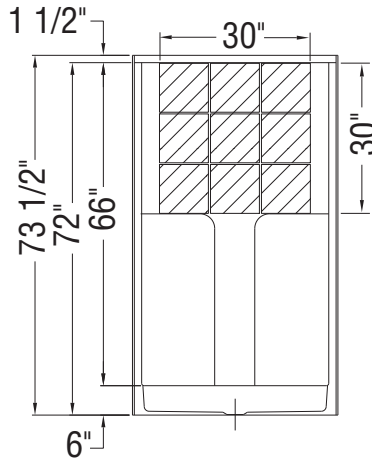
DOORS RECOMMENDED WITH THIS PRODUCT. REFER TO MAAX DOOR PRICE BOOK

No	Description
138293-XXX-XXX	Triple Plus 3-panel 40 x 66 in.

S-42 (cont'd)



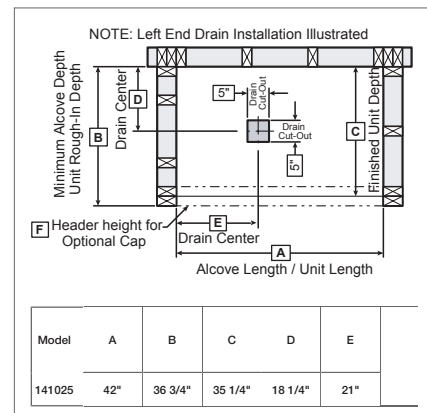
With reinforcement



All dimensions are approximate. Structure measurements must be verified against the unit to ensure proper fit.

FOOTNOTES - BEFORE ORDERING, PLEASE SPECIFY:

1. Please see technical drawings for reinforcement positioning and size.



SH-4242HR

42" x 41 1/2" x 73 -76" - Gelcoat

- One-piece gelcoated fiberglass shower
- Built-in back wall shelves
- Center drain
- Textured floor
- Optional unique feature : Above-the-Floor Rough



GELCOAT ALCOVE SHOWERS

SHOWER MODEL

No	Model	Dimensions	Pkg	Approx. weight	Std Color(s)	Non-std Colors
141157-000-XXX	1-piece shower 141157-000-XXX Center drain Specify: Standard colors: White (002), Bone (004), Biscuit (007) Non-standard colors: Refer to color chart in this book.	42 X 41 1/2 X 73 -76 in.	80.06 ft ³	144 lb	\$ 573	\$ 673
	1-piece shower AFR 141157-AFR-000-XXX Above-the-floor rough, center drain Specify: Standard colors: White (002), Bone (004), Biscuit (007) Non-standard colors: Refer to color chart in this book.					

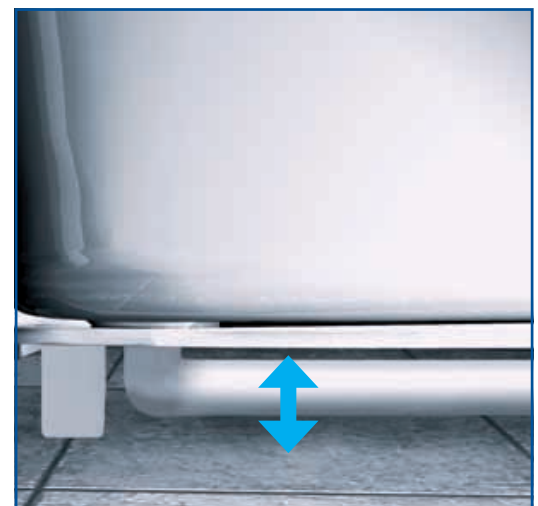
DOORS RECOMMENDED WITH THIS PRODUCT. REFER TO MAAX DOOR PRICE BOOK

No	Description
138293-XXX-XXX	Triple Plus 3-panel 40 x 66 in.

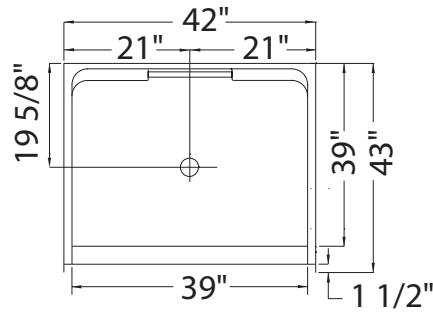
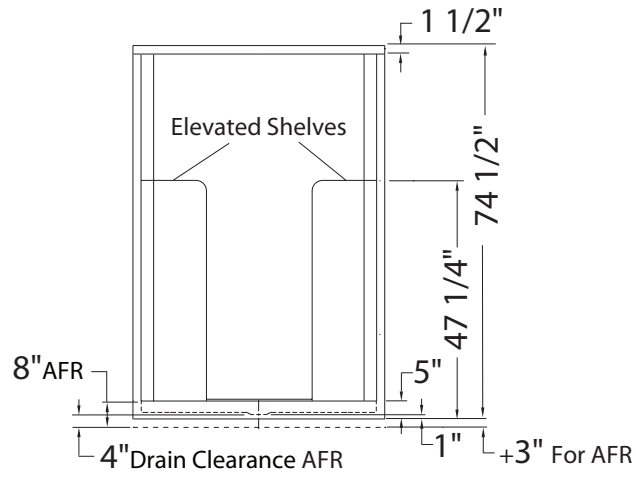
ABOVE-THE-FLOOR ROUGH, WHAT DOES IT MEAN FOR YOU?

Above-the-Floor Rough or AFR means there is enough space to pipe directly under the bathtub without having to relocate the existing drain. What does this mean for you?

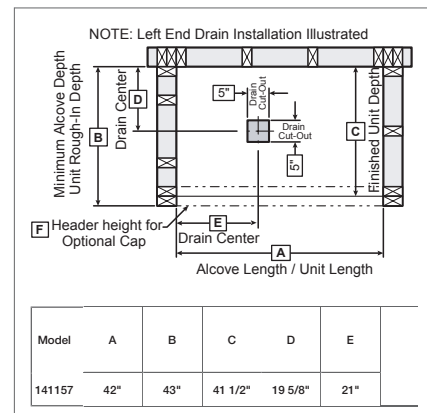
Less time and hassle on the job.



SH-4242HR (cont'd)



All dimensions are approximate. Structure measurements must be verified against the unit to ensure proper fit.



SHT-4242HR

41 3/4" x 41 1/2" x 72 3/4" - 75 3/4" - Gelcoat

- One-piece gelcoated fiberglass shower with 4 in. simulated tile pattern
- Built-in back wall shelves
- Center drain
- Textured floor
- Optional unique feature : Above-the-Floor Rough



GELCOAT ALCOVE SHOWERS

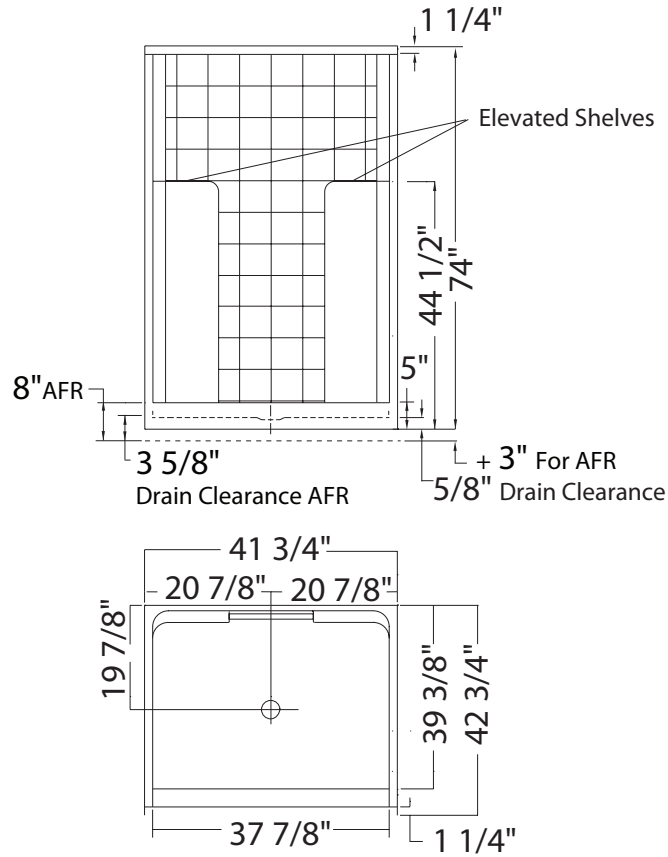
SHOWER MODEL

No	Model	Dimensions	Pkg	Approx. weight	Std Color(s)	Non-std Colors
141158-000-XXX	1-piece shower 141158-000-XXX Center drain Specify: Standard colors: White (002), Bone (004), Biscuit (007) Non-standard colors: Refer to color chart in this book.	41 3/4 X 41 1/2 X 72 3/4 - 75 3/4 in.	80.06 ft ³	144 lb	\$ 588	\$ 688
	1-piece shower AFR 141158-AFR-000-XXX Above-the-floor rough, center drain Specify: Standard colors: White (002), Bone (004), Biscuit (007) Non-standard colors: Refer to color chart in this book.					

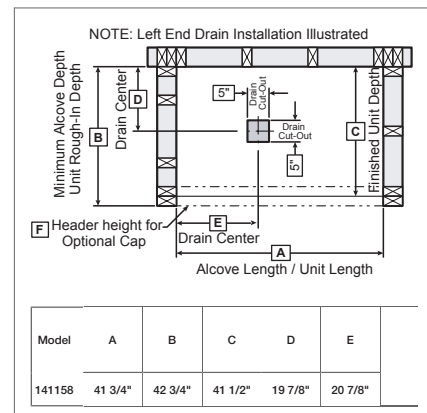
DOORS RECOMMENDED WITH THIS PRODUCT. REFER TO MAAX DOOR PRICE BOOK

No	Description
138293-XXX-XXX	Triple Plus 3-panel 40 x 66 in.

SHT-4242HR (cont'd)



All dimensions are approximate. Structure measurements must be verified against the unit to ensure proper fit.



SHW-36

36" x 36" x 80" - Gelcoat

- One-piece gelcoated fiberglass shower
- Built-in corner shelves
- Center drain
- Textured floor
- Optional unique features: Reinforced walls



GELCOAT ALCOVE SHOWERS

SHOWER MODEL

No	Model	Dimensions	Pkg	Approx. weight	Std Color(s)	Non-std Colors
141134-000-XXX	1-piece shower 141134-000-XXX Center drain Specify: Standard colors: White (002), Bone (004), Biscuit (007) Non-standard colors: Refer to color chart in this book.	36 X 36 X 80 in.	N/A	N/A	\$ 594	\$ 694

COMMON OPTIONS

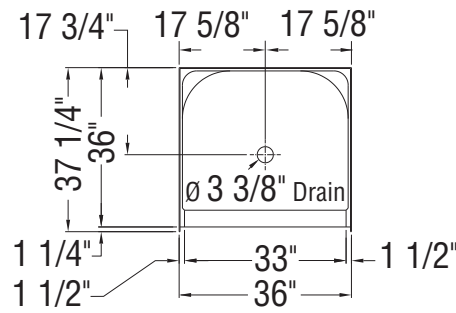
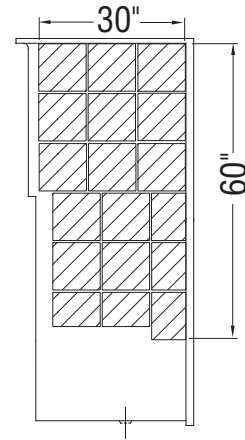
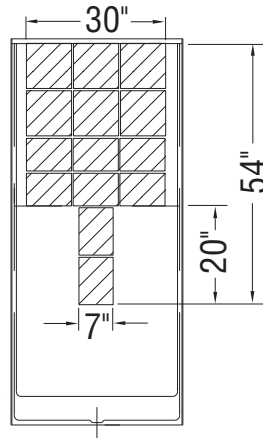
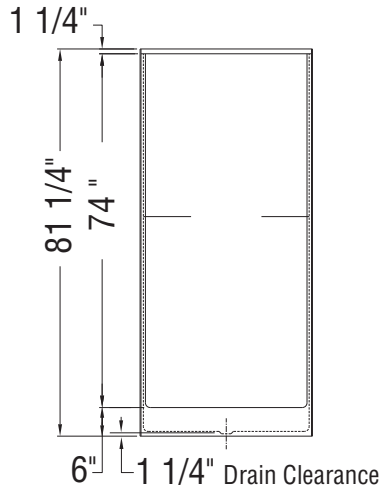
No	Description	Approx. weight	List Price
OPT10189	Wall reinforcement (Three walls) ¹	N/A	\$ 141
OPT20212-B	Back Wall reinforcement ¹	N/A	\$ 47
OPT20212-L	Left Wall reinforcement ¹	N/A	\$ 47
OPT20212-R	Right Wall reinforcement ¹	N/A	\$ 47

DOORS RECOMMENDED WITH THIS PRODUCT. REFER TO MAAX DOOR PRICE BOOK

No	Description
136450-XXX-XXX	Kleara® 2-panel 33 1/2 - 36 1/2 in.
136435-XXX-XXX	Pivolok Deluxe 1-panel 32 1/2 - 37 in.
136656-XXX-XXX	Pivolok 1-panel 33 - 34 3/4 in.
105417-XXX-XXX	Madono 1-panel 31 1/2 - 33 1/2 in.
105485-XXX-XXX	Alexa® 1-panel 31 1/2 - 33 1/2 in.
136676-XXX-XXX	Reveal 71 pivot door 32 1/2 - 35 1/2 x 71 1/2 in.
136678-XXX-XXX	Reveal 75 pivot door 32 1/2 - 35 1/2 x 75 in.

SHW-36 (cont'd)

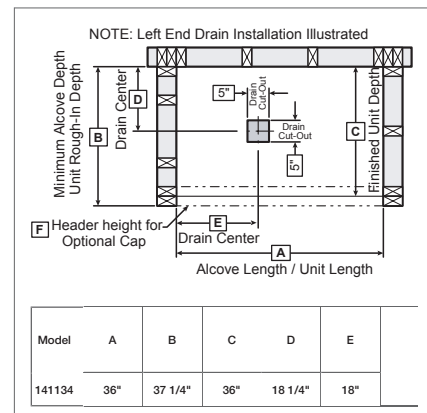
With reinforcement



All dimensions are approximate. Structure measurements must be verified against the unit to ensure proper fit.

FOOTNOTES - BEFORE ORDERING, PLEASE SPECIFY:

1. Please see technical drawings for reinforcement positioning and size.



S-36

36" x 36" x 72 - 74 3/4" - Gelcoat

- One-piece gelcoated fiberglass shower with optional roofcap
- Built-in corner shelves
- Center drain
- Textured floor
- Optional unique features: Above-the-Floor Rough and reinforced walls



GELCOAT ALCOVE SHOWERS

SHOWER MODEL

No	Model	Dimensions	Pkg	Approx. weight	Std Color(s)	Non-std Colors
141022-000-XXX	1-piece shower 141022-000-XXX Center drain Specify: Standard colors: White (002), Bone (004), Biscuit (007) Non-standard colors: Refer to color chart in this book.	36 X 36 X 72 - 74 3/4 in.	57.04 ft ³	96 lb	\$ 566	\$ 666
	1-piece shower AFR 141022-AFR-000-XXX Above-the-floor rough, center drain Specify: Standard colors: White (002), Bone (004), Biscuit (007) Non-standard colors: Refer to color chart in this book.					
141023-000-XXX	Gelcoated fiberglass roofcap Specify: Standard colors: White (002), Bone (004), Biscuit (007) Non-standard colors: Refer to color chart in this book.	36 X 36 X 84 in.	11.08 ft ³	29 lb	\$ 259	\$ 309

COMMON OPTIONS

No	Description	Approx. weight	List Price
OPT10171	Light for cap (Factory drilled hole)	N/A	\$ 166
OPT10189	Wall reinforcement (Three walls) ¹	N/A	\$ 141
OPT20212-B	Back Wall reinforcement ¹	N/A	\$ 47
OPT20212-L	Left Wall reinforcement ¹	N/A	\$ 47
OPT20212-R	Right Wall reinforcement ¹	N/A	\$ 47

ACCESSORIES

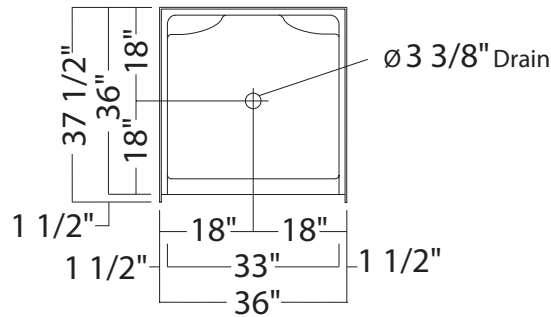
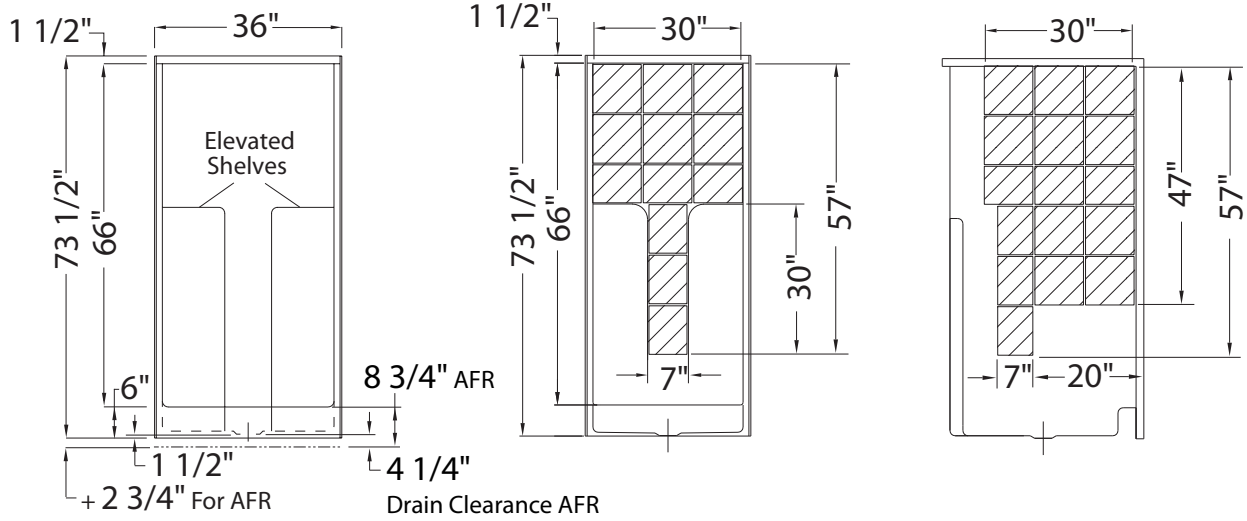
No	Description	Approx. weight	List Price
10041845-XXX-601	Lifter kit for Pivolok doors Available colors: Chrome (084) and Brushed Nickel (105)	N/A	\$ 17

DOORS RECOMMENDED WITH THIS PRODUCT. REFER TO MAAX DOOR PRICE BOOK

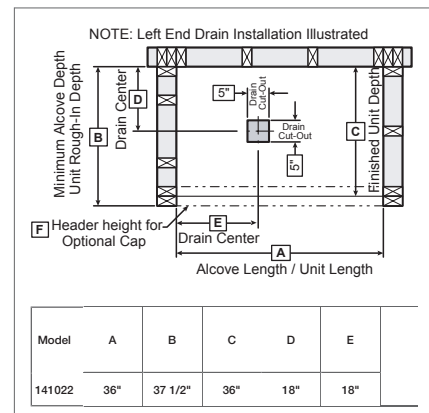
No	Description
136435-XXX-XXX	Pivolok Deluxe 1-panel 32 1/2 - 37 in.
136656-XXX-XXX	Pivolok 1-panel 33 - 34 3/4 in.

S-36 (cont'd)

With reinforcement



All dimensions are approximate. Structure measurements must be verified against the unit to ensure proper fit.



FOOTNOTES - BEFORE ORDERING, PLEASE SPECIFY:

- Please see technical drawings for reinforcement positioning and size.

S-36T

36" x 36" x 72" - Gelcoat

- One-piece gelcoated fiberglass shower with 4 in. simulated tile pattern
- Built-in wide corner shelves
- Center drain
- Textured floor



GELCOAT ALCOVE SHOWERS

SHOWER MODEL

No	Model	Dimensions	Pkg	Approx. weight	Std Color(s)	Non-std Colors
141186-000-XXX	1-piece shower 141186-000-XXX Center drain Specify: Standard colors: White (002), Bone (004), Biscuit (007) Non-standard colors: Refer to color chart in this book.	36 X 36 X 72 in.	57.04 ft ³	96 lb	\$ 625	\$ 725

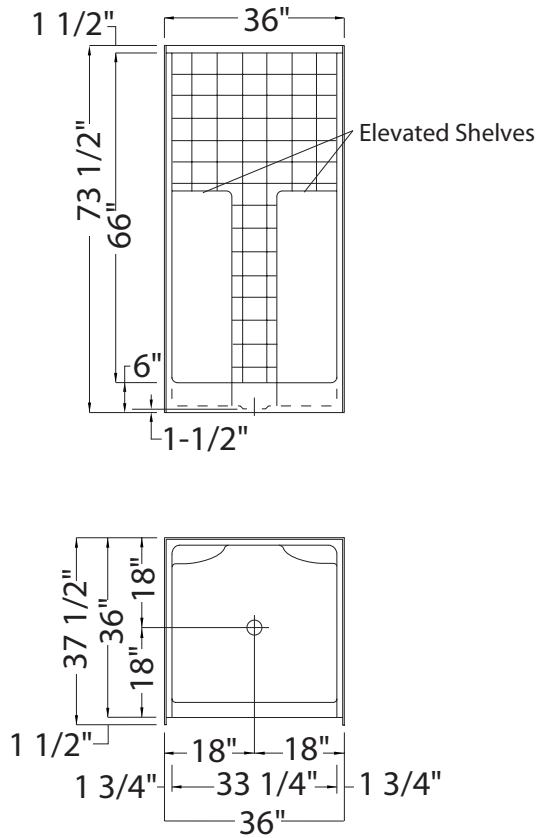
ACCESSORIES

No	Description	Approx. weight	List Price
10041845-XXX-601	Lifter kit for Pivolok doors Available colors: Chrome (084) and Brushed Nickel (105)	N/A	\$ 17

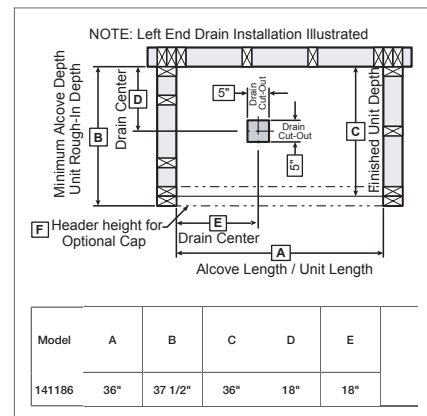
DOORS RECOMMENDED WITH THIS PRODUCT. REFER TO MAAX DOOR PRICE BOOK

No	Description
136435-XXX-XXX	Pivolok Deluxe 1-panel 32 1/2 - 37 in.
136656-XXX-XXX	Pivolok 1-panel 33 - 34 3/4 in.

S-36T (cont'd)



All dimensions are approximate. Structure measurements must be verified against the unit to ensure proper fit.



SHT-36

36" x 35" x 72 1/4" - Gelcoat

- One-piece gelcoated fiberglass shower with 6 in. simulated tile pattern
- Built-in back wall shelves
- Standard clear acrylic bar
- Textured floor • Center drain



GELCOAT ALCOVE SHOWERS

SHOWER MODEL

No	Model	Dimensions	Pkg	Approx. weight	Std Color(s)	Non-std Colors
141024-000-XXX	1-piece shower 141024-000-XXX Center drain Specify: Standard colors: White (002), Bone (004), Biscuit (007) Non-standard colors: Refer to color chart in this book.	36 X 35 X 72 1/4 in.	55.89 ft ³	100 lb	\$ 621	\$ 721

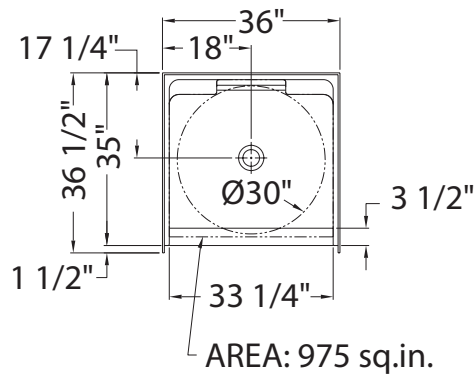
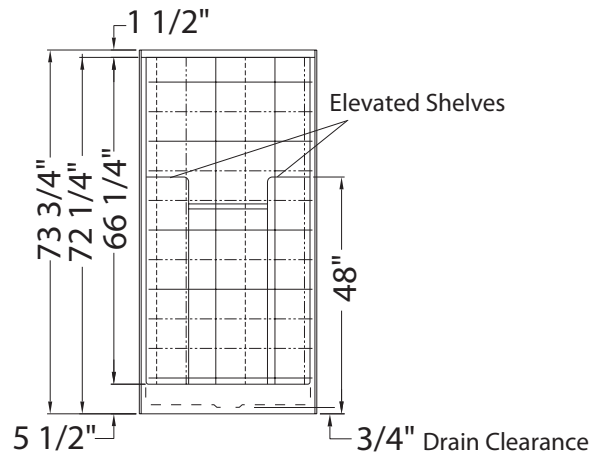
ACCESSORIES

No	Description	Approx. weight	List Price
10041845-XXX-601	Lifter kit for Pivolok doors Available colors: Chrome (084) and Brushed Nickel (105)	N/A	\$ 17

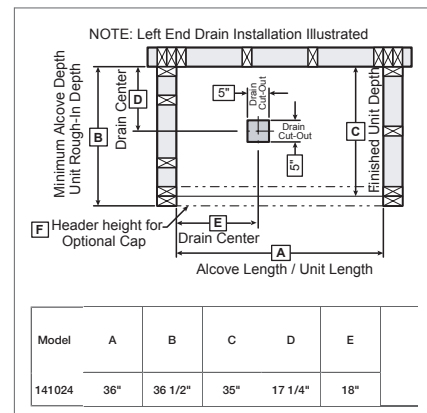
DOORS RECOMMENDED WITH THIS PRODUCT. REFER TO MAAX DOOR PRICE BOOK

No	Description
136435-XXX-XXX	Pivolok Deluxe 1-panel 32 1/2 - 37 in.
136656-XXX-XXX	Pivolok 1-panel 33 - 34 3/4 in.

SHT-36 (cont'd)



All dimensions are approximate. Structure measurements must be verified against the unit to ensure proper fit.



S-32

32" x 32" x 72" - Gelcoat

- One-piece gelcoated fiberglass shower
- Built-in corner shelves
- Center drain
- Textured floor



GELCOAT ALCOVE SHOWERS

SHOWER MODEL

No	Model	Dimensions	Pkg	Approx. weight	Std Color(s)	Non-std Colors
141021-000-XXX	1-piece shower 141021-000-XXX Center drain Specify: Standard colors: White (002), Bone (004), Biscuit (007) Non-standard colors: Refer to color chart in this book.	32 X 32 X 72 in.	44.92 ft ³	77 lb	\$ 566	\$ 666

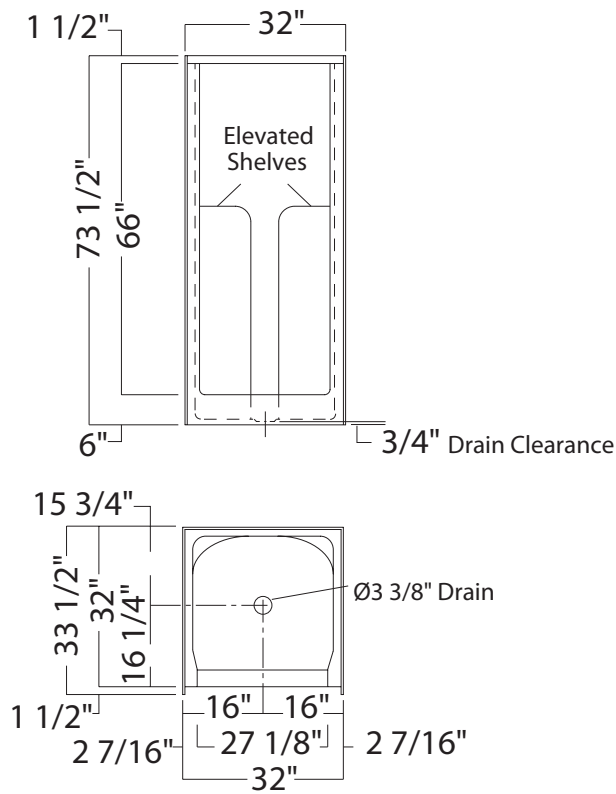
ACCESSORIES

No	Description	Approx. weight	List Price
10041845-XXX-601	Lifter kit for Pivlok doors Available colors: Chrome (084) and Brushed Nickel (105)	N/A	\$ 17

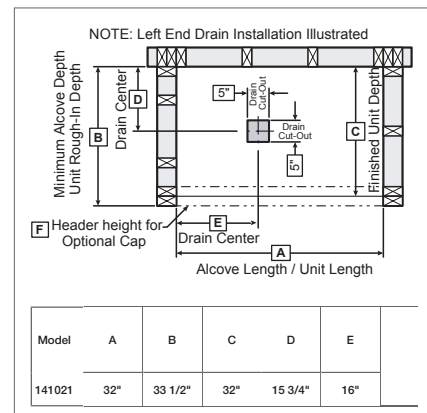
DOORS RECOMMENDED WITH THIS PRODUCT. REFER TO MAAX DOOR PRICE BOOK

No	Description
136635-XXX-XXX	Pivlok 1-panel 27 - 28 3/4 in.

S-32 (cont'd)



All dimensions are approximate. Structure measurements must be verified against the unit to ensure proper fit.



SH-NA

37 3/4" x 37 3/4" x 78 - 79 3/4" - Gelcoat

- One-piece neo-angle corner shower
- Three-level built-in corner shelves
- Back center drain
- Textured floor
- Optional unique feature : Above-the-Floor Rough



GELCOAT CORNER SHOWERS

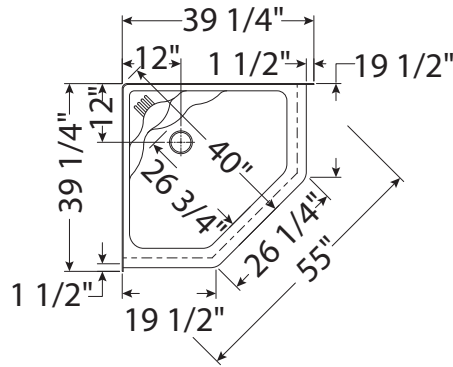
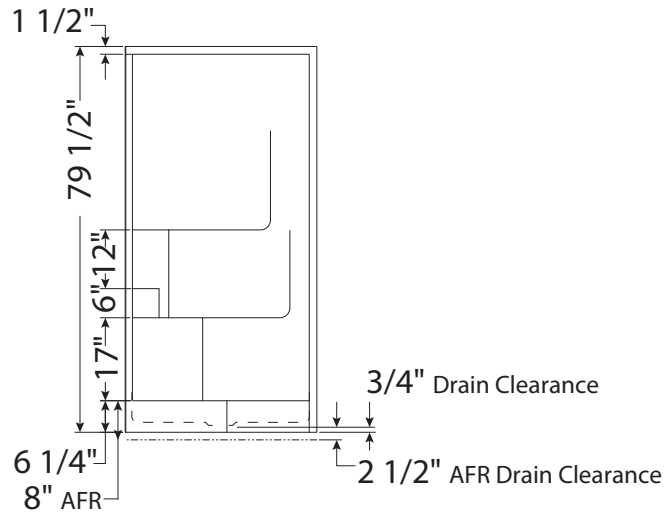
SHOWER MODEL

No	Model	Dimensions	Pkg	Approx. weight	Std Color(s)	Non-std Colors
141038-000-XXX	1-piece shower 141038-000-XXX Center drain Specify: Standard colors: White (002), Bone (004), Biscuit (007) Non-standard colors: Refer to color chart in this book.	37 3/4 X 37 3/4 X 78 - 79 3/4 in.	70.42 ft ³	90 lb	\$ 633	\$ 733
	1-piece shower AFR 141038-AFR-000-XXX Above-the-floor rough, center drain Specify: Standard colors: White (002), Bone (004), Biscuit (007) Non-standard colors: Refer to color chart in this book.					

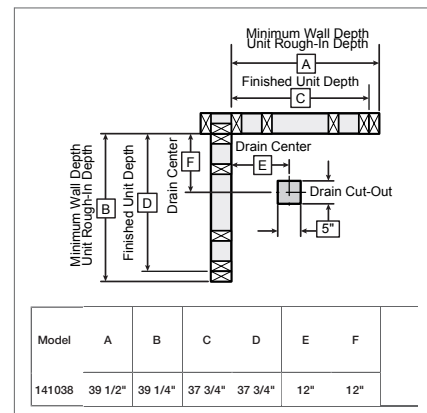
DOORS RECOMMENDED WITH THIS PRODUCT. REFER TO MAAX DOOR PRICE BOOK

No	Description
137610-XXX-XXX	Illusion neo-angle 38 X 38 in.
137901-XXX-XXX	Silhouette neo-angle 38 X 38 in.
137710-XXX-XXX	Silhouette Plus neo-angle 38 X 38 in.
137250-XXX-XXX	Intuition neo-angle 38 X 38 in.

SH-NA (cont'd)



All dimensions are approximate. Structure measurements must be verified against the unit to ensure proper fit.



SH-NARD

36" x 36" x 78 1/2 - 80 1/4" - Gelcoat

- One-piece neo-round corner shower
- Three-level built-in corner shelves
- Back center drain
- Textured floor
- Optional unique feature : Above-the-Floor Rough



GELCOAT CORNER SHOWERS

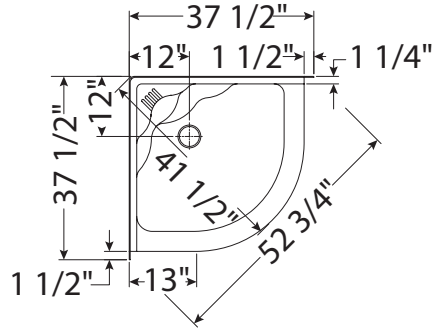
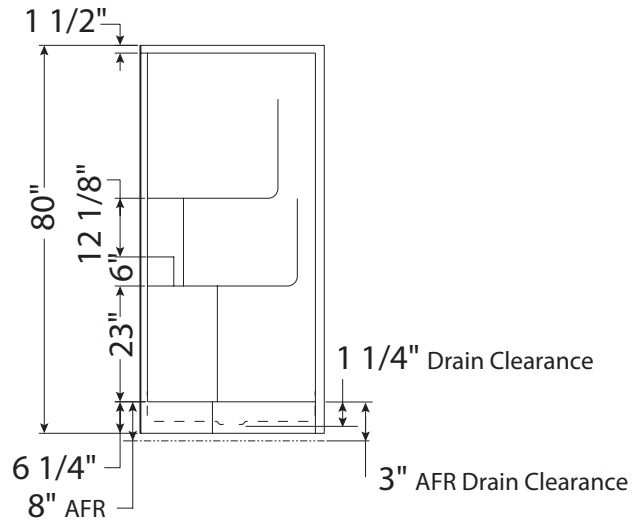
SHOWER MODEL

No	Model	Dimensions	Pkg	Approx. weight	Std Color(s)	Non-std Colors
141040-000-XXX	1-piece shower 141040-000-XXX Center drain Specify: Standard colors: White (002), Bone (004), Biscuit (007) Non-standard colors: Refer to color chart in this book.	36 X 36 X 78 1/2 - 80 1/4 in.	70.6 ft ³	84 lb	\$ 706	\$ 806
	1-piece shower AFR 141040-AFR-000-XXX Above-the-floor rough, Center drain Specify: Standard colors: White (002), Bone (004), Biscuit (007) Non-standard colors: Refer to color chart in this book.					

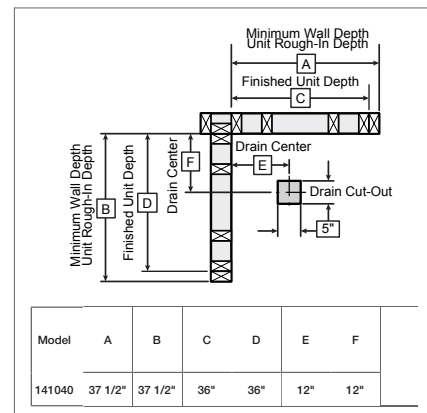
DOORS RECOMMENDED WITH THIS PRODUCT. REFER TO MAAX DOOR PRICE BOOK

No	Description
137593-XXX-XXX	Talen® neo-round 36 X 36 in.
137210-XXX-XXX	Intuition neo-round 36 X 36 in.

SH-NARD (cont'd)



All dimensions are approximate. Structure measurements must be verified against the unit to ensure proper fit.



SH-RD

36" x 36" x 78 - 79 3/4" - Gelcoat

- One-piece round corner shower
- Three-level built-in corner shelves
- Back center drain
- Textured floor
- Optional unique feature : Above-the-Floor Rough



GELCOAT CORNER SHOWERS

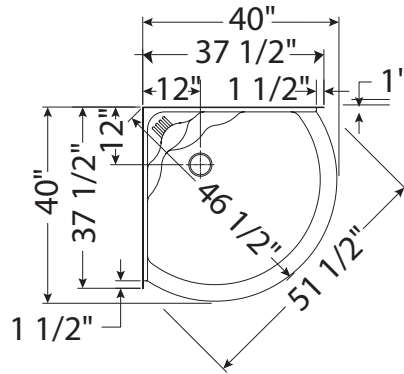
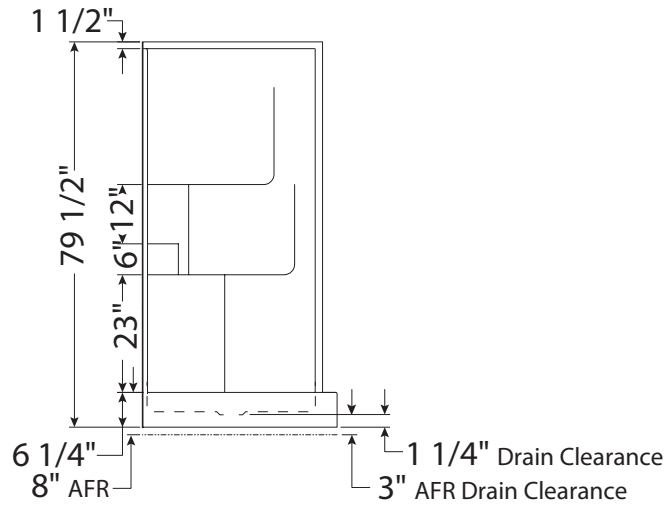
SHOWER MODEL

No	Model	Dimensions	Pkg	Approx. weight	Std Color(s)	Non-std Colors
141039-000-XXX	1-piece shower 141039-000-XXX Center drain Specify: Standard colors: White (002), Bone (004), Biscuit (007) Non-standard colors: Refer to color chart in this book.	36 X 36 X 78 - 79 3/4 in.	70 ft ³	89 lb	\$ 706	\$ 806
	1-piece shower AFR 141039-AFR-000-XXX Above-the-floor rough, center drain Specify: Standard colors: White (002), Bone (004), Biscuit (007) Non-standard colors: Refer to color chart in this book.					

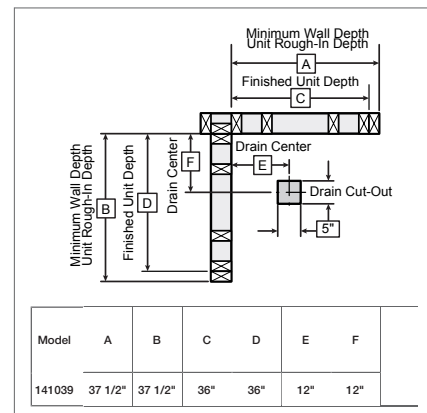
DOORS RECOMMENDED WITH THIS PRODUCT. REFER TO MAAX DOOR PRICE BOOK

No	Description
137595-XXX-XXX	Tully® round 36 X 36 in.
137596-XXX-XXX	Tully® round 36 X 36 in.

SH-RD (cont'd)



All dimensions are approximate. Structure measurements must be verified against the unit to ensure proper fit.



CORS-36

36" x 36" x 76 1/2" - Gelcoat

- One-piece square corner shower
- Built-in corner shelf
- Center drain
- Textured floor



GELCOAT CORNER SHOWERS

SHOWER MODEL

No	Model	Dimensions	Pkg	Approx. weight	Std Color(s)	Non-std Colors
141041-000-XXX	1-piece shower 141041-000-XXX Center drain Specify: Standard colors: White (002), Bone (004), Biscuit (007) Non-standard colors: Refer to color chart in this book.	36 X 36 X 76 1/2 in.	68.8 ft ³	93 lb	\$ 638	\$ 738

DOORS RECOMMENDED WITH THIS PRODUCT. REFER TO MAAX DOOR PRICE BOOK

No	Description
137562-XXX-XXX	Centric square 36 X 36 in.
136676-XXX-XXX	Reveal 71 pivot door 32 1/2 - 35 1/2 x 71 1/2 in.

ACS/RS/LS/NS-60

60" x 36" x 84 - 86 1/4" - Acrylic

- One-piece acrylic shower with integrated roofcap
- Built-in back wall shelves with integrated soap dish
- Standard clear acrylic bar with optional metallic finishes
- Twin seats, right/left-hand seat or no seat • Center drain
- Textured floor • Optional unique feature: Above-the-Floor Rough



ACRYLIC ALCOVE SHOWERS

SHOWER MODEL

No	Model	Dimensions	Pkg	Approx. weight	Std Color(s)
141148-000-XXX	1-piece shower 141148-2-000-XXX Twin seats and center drain 141148-R-000-XXX Right-hand seat and center drain 141148-L-000-XXX Left-hand seat and center drain 141148-000-XXX No seat and center drain Specify: Standard colors: White (001), Bone (004), Biscuit (007)	60 X 36 X 84 - 86 1/4 in.	0.01 ft ³	229 lb	\$ 1,380
	1-piece shower AFR 141148-AFR/2-000-XXX Above-the-floor rough, twin seats and center drain 141148-AFR/R-000-XXX Above-the-floor rough, right-hand seat and center drain 141148-AFR/L-000-XXX Above-the-floor rough, left-hand seat and center drain 141148-AFR-000-XXX Above-the-floor rough, no seat and center drain Specify: Standard colors: White (001), Bone (004), Biscuit (007)				

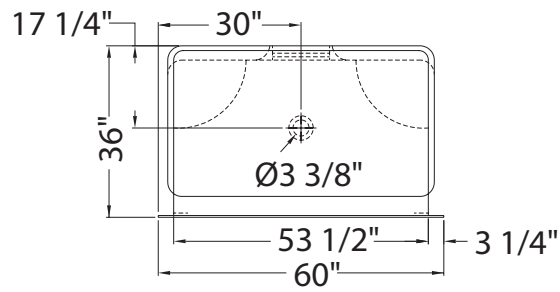
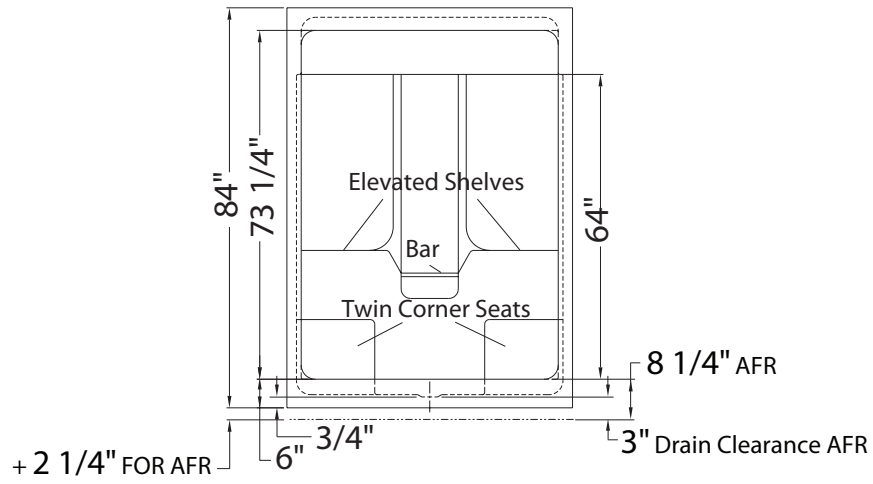
COMMON OPTIONS

No	Description	Approx. weight	List Price
OPT10171	Light for cap (factory-drilled hole)	N/A	\$ 166
OPT10180-105	Brushed Nickel grab bar (replacing acrylic bar)	N/A	\$ 50
OPT10180-084	Chrome grab bar (replacing acrylic bar)	N/A	\$ 26
OPT10180-085	Polished Brass grab bar (replacing acrylic bar)	N/A	\$ 50

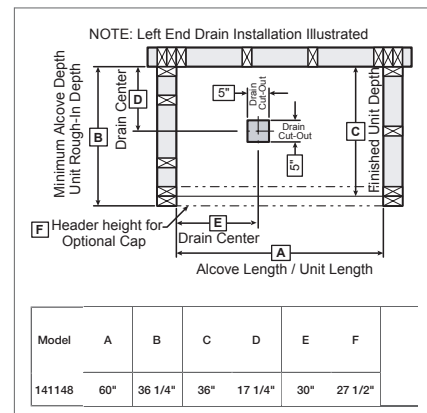
DOORS RECOMMENDED WITH THIS PRODUCT. REFER TO MAAX DOOR PRICE BOOK

No	Description
138314-XXX-XXX	Triple Plus 3-panel 54 1/2 x 66 in.
136456-XXX-XXX	Kleara® 2-panel 51 1/2 - 54 1/2 in.
136883-XXX-XXX	Reveal 71 pivot door 51 1/2 - 54 1/2 x 71 1/2 in.
134564-XXX-XXX	Kameleon 6 mm 51-55 in.
134664-XXX-XXX	Kameleon Soft Close 6 mm 51-55 in.

ACS/RS/LS/NS-60 (cont'd)



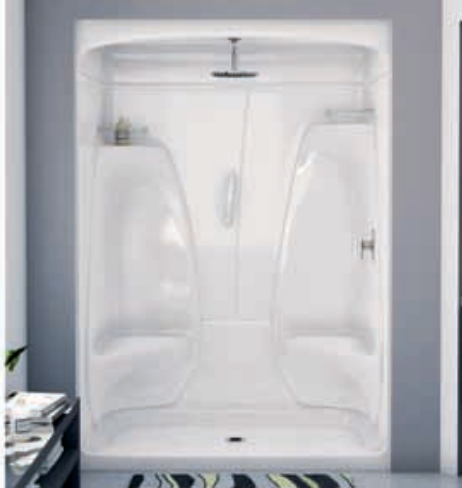
All dimensions are approximate. Structure measurements must be verified against the unit to ensure proper fit.



ACSHDM/RSDM/LSDM/NSDM-60

60" x 33 1/4" x 88 1/4- 90 1/4" - Acrylic

- One-piece acrylic shower with integrated roofcap
- Built-in corner shelves with optional shelf rails • Optional acrylic handle
- Twin seats, right/left-hand seat or no seat (comes with footrest(s) when no seat ordered)
- Center drain (twin seats/no seat), right/left-hand drain (opposite to seat) • Textured floor
- Optional unique feature: Above-the-Floor Rough



ACRYLIC ALCOVE SHOWERS

SHOWER MODEL

No	Model	Dimensions	Pkg	Approx. weight	Std Color(s)
141055-000-XXX	1-piece shower 141055-2-000-XXX Twin seats and center drain 141055-R-000-XXX Right-hand seat and left hand drain 141055-L-000-XXX Left-hand seat and right hand drain 141055-000-XXX No seat and center drain Specify: Standard colors: White (001), Bone (004), Biscuit (007)	60 X 33 1/4 X 88 1/4- 90 1/4 in.	98.88 ft³	195 lb	\$ 1,329
	1-piece shower AFR 141055-AFR/2-000-XXX Above-the floor rough, Twin seats and center drain 141055-AFR/R-000-XXX Above-the floor rough, Right-hand seat and left hand drain 141055-AFR/L-000-XXX Above-the floor rough, Left-hand seat and right hand drain 141055-AFR-000-XXX Above-the floor rough, No seat and center drain Specify: Standard colors: White (001), Bone (004), Biscuit (007)				

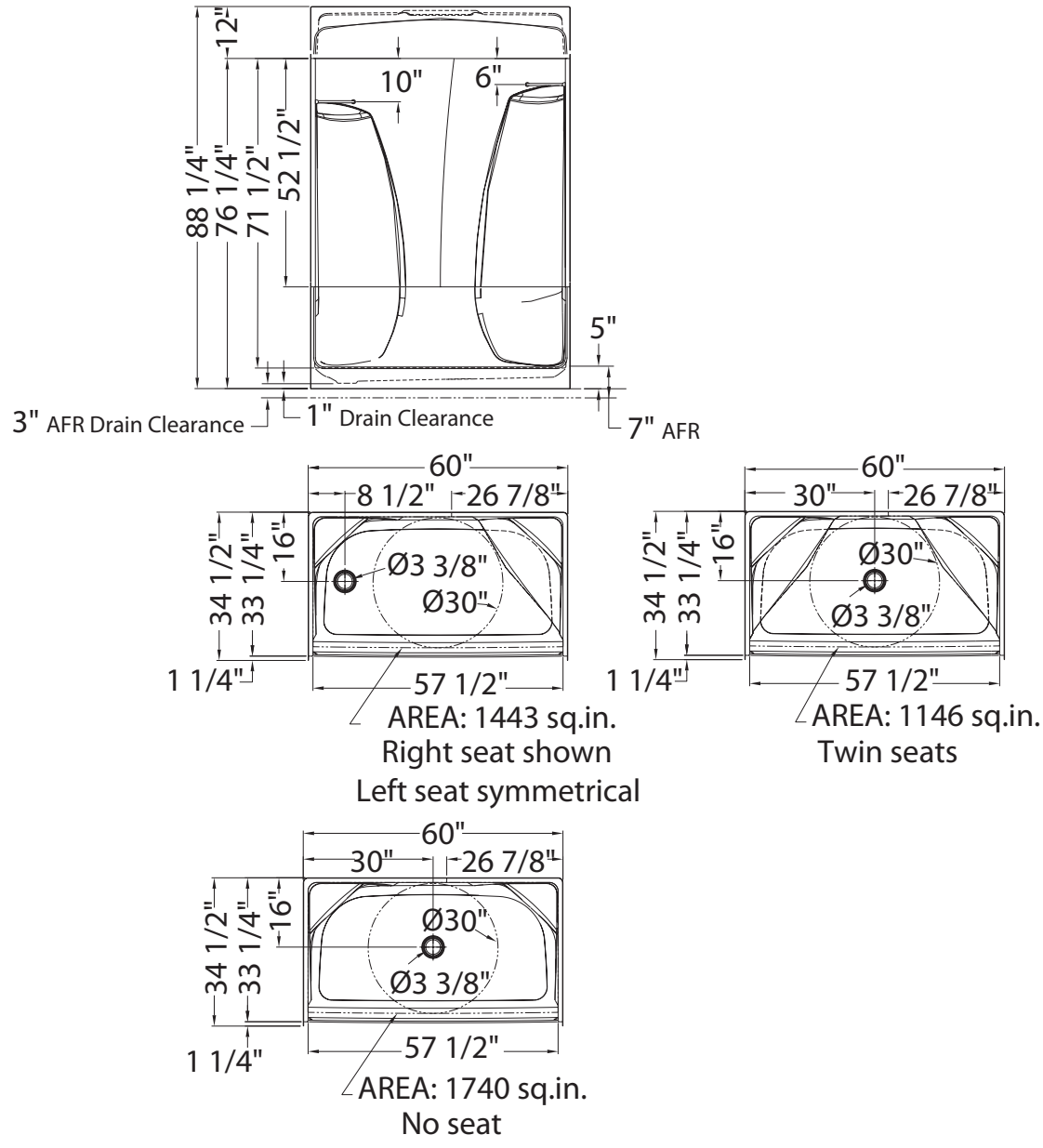
COMMON OPTIONS

No	Description	Approx. weight	List Price
OPT10167-105	Corner Shelf Rails in Brushed Nickel	N/A	\$ 172
OPT10167-084	Corner Shelf Rails in Chrome	N/A	\$ 142
OPT10167-085	Corner Shelf Rails in Polished Brass	N/A	\$ 172
OPT10169-007	12" Handle in Biscuit	N/A	\$ 51
OPT10169-004	12" Handle in Bone	N/A	\$ 51
OPT10169-105	12" Handle in Brushed Nickel	N/A	\$ 160
OPT10169-084	12" Handle in Chrome	N/A	\$ 160
OPT10169-001	12" Handle in White	N/A	\$ 51
OPT10171	Light for cap (factory-drilled hole)	N/A	\$ 166

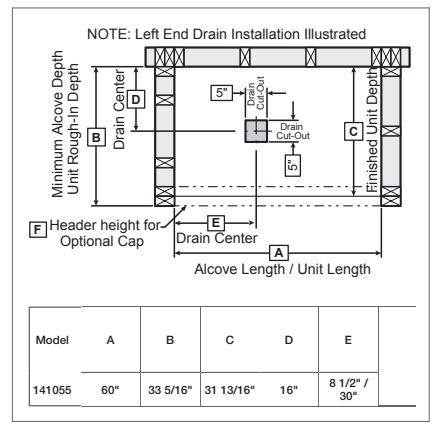
DOORS RECOMMENDED WITH THIS PRODUCT. REFER TO MAAX DOOR PRICE BOOK

No	Description
138315-XXX-XXX	Triple Plus 3-panel 58 x 66 in.
136457-XXX-XXX	Kleara® 2-panel 54 1/2 - 57 1/2 in.
105412-XXX-XXX	Polar 2-panel 54 - 59 1/2 in.
136672-XXX-XXX	Reveal 71 pivot door 56 - 59 x 71 1/2 in.
134572-XXX-XXX	Kameleon 8 mm 55 - 59 in.
134675-XXX-XXX	Kameleon Soft Close 8 mm 55 - 59 in.
134565-XXX-XXX	Kameleon 6 mm 55-59 in.
134665-XXX-XXX	Kameleon Soft Close 6 mm 55-59 in.

ACSHDM/RSDM/LSDM/NSDM-60 (cont'd)



All dimensions are approximate. Structure measurements must be verified against the unit to ensure proper fit.



ACSH/RS/LS/NS-60

60" x 33 1/4" x 75 - 77" - Acrylic

- One-piece acrylic shower
- Built-in corner shelves with optional shelf rails
- Optional acrylic handle
- Twin seats, right/left-hand seat or no seat (comes with footrest(s) when no seat ordered)
- Center drain
- Textured floor
- Optional unique feature: Above-the-Floor Rough



ACRYLIC ALCOVE SHOWERS

SHOWER MODEL

No	Model	Dimensions	Pkg	Approx. weight	Std Color(s)
141054-000-XXX	1-piece shower 141054-R-000-XXX Right-hand seat and center drain 141054-L-000-XXX Left-hand seat and center drain 141054-000-XXX No seat and center drain 141054-2-000-XXX Twin seats and center drain Specify: Standard colors: White (001), Bone (004), Biscuit (007)	60 X 33 1/4 X 75 - 77 in.	87 ft ³	222 lb	\$ 1,052
	1-piece shower AFR 141054-AFR/R-000-XXX Above-the floor rough, Right-hand seat and center drain 141054-AFR/L-000-XXX Above-the floor rough, Left-hand seat and center drain 141054-AFR-000-XXX Above-the floor rough, no seat and center drain 141054-AFR/2-000-XXX Above-the floor rough, Twin seats and center drain Specify: Standard colors: White (001), Bone (004), Biscuit (007)				

COMMON OPTIONS

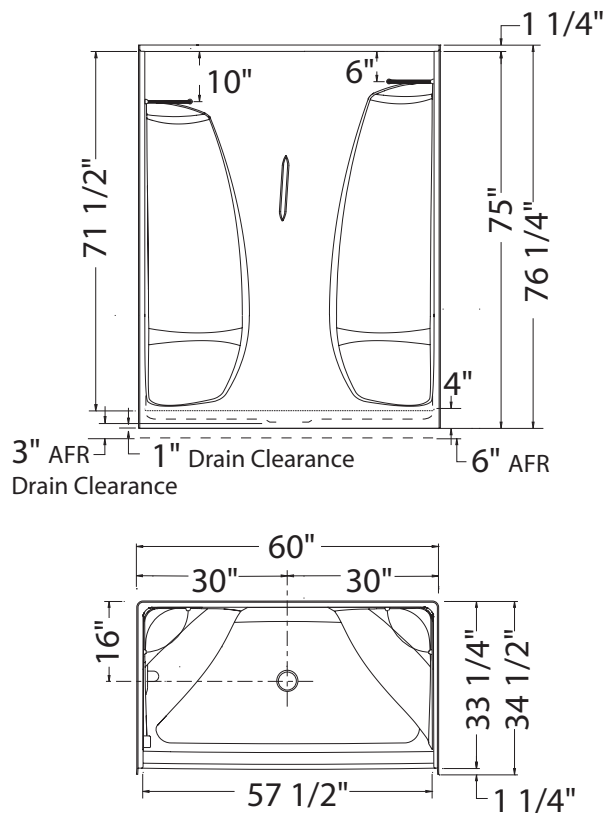
No	Description	Approx. weight	List Price
OPT10167-105	Corner Shelf Rails in Brushed Nickel	N/A	\$ 172
OPT10167-084	Corner Shelf Rails in Chrome	N/A	\$ 142
OPT10167-085	Corner Shelf Rails in Polished Brass	N/A	\$ 172
OPT10169-007	12" Handle in Biscuit	N/A	\$ 51
OPT10169-004	12" Handle in Bone	N/A	\$ 51
OPT10169-105	12" Handle in Brushed Nickel	N/A	\$ 160
OPT10169-084	12" Handle in Chrome	N/A	\$ 160
OPT10169-001	12" Handle in White	N/A	\$ 51

DOORS RECOMMENDED WITH THIS PRODUCT. REFER TO MAAX DOOR PRICE BOOK

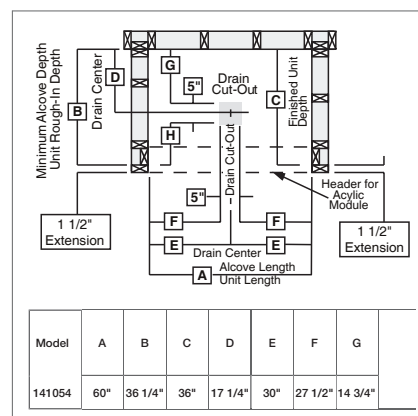
No	Description
138315-XXX-XXX	Triple Plus 3-panel 58 x 66 in.
136457-XXX-XXX	Kleara® 2-panel 54 1/2 - 57 1/2 in.
105412-XXX-XXX	Polar 2-panel 54 - 59 1/2 in.
136672-XXX-XXX	Reveal 71 pivot door 56 - 59 x 71 1/2 in.
134572-XXX-XXX	Kameleon 8 mm 55 - 59 in.
134675-XXX-XXX	Kameleon Soft Close 8 mm 55 - 59 in.
134565-XXX-XXX	Kameleon 6 mm 55-59 in.
134665-XXX-XXX	Kameleon Soft Close 6 mm 55-59 in.

ACSH/RS/LS/NS-60 (cont'd)

ACSH-60 Version Illustrated



All dimensions are approximate. Structure measurements must be verified against the unit to ensure proper fit.



ACS/RS/LS/NS-48

48" x 36" x 84 - 86 1/4" - Acrylic

- One-piece acrylic shower with integrated roofcap
- Built-in back wall shelves with integrated soap dish
- Standard clear acrylic bar with optional metallic finishes
- Twin seats, right/left-hand seat or no seat • Center drain
- Textured floor • Optional unique feature: Above-the-Floor Rough



ACRYLIC ALCOVE SHOWERS

SHOWER MODEL

No	Model	Dimensions	Pkg	Approx. weight	Std Color(s)
141147-000-XXX	1-piece shower 141147-2-000-XXX Twin seats and center drain 141147-R-000-XXX Right-hand seat and center drain 141147-L-000-XXX Left-hand seat and center drain 141147-000-XXX No seat and center drain Specify: Standard colors: White (001), Bone (004), Biscuit (007)	48 X 36 X 84 - 86 1/4 in.	0.01 ft ³	207 lb	\$ 1,266
	1-piece shower AFR 141147-AFR/2-000-XXX Above-the-floor rough, twin seats and center drain 141147-AFR/R-000-XXX Above-the-floor rough, right-hand seat and center drain 141147-AFR/L-000-XXX Above-the-floor rough, left-hand seat and center drain 141147-AFR-000-XXX Above-the-floor rough, no seat and center drain Specify: Standard colors: White (001), Bone (004), Biscuit (007)				

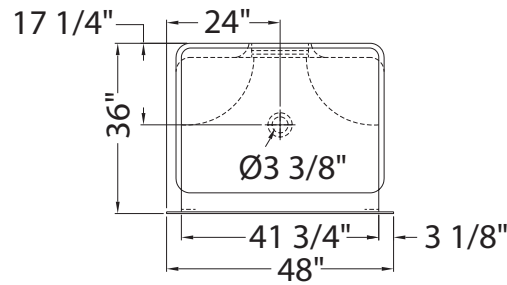
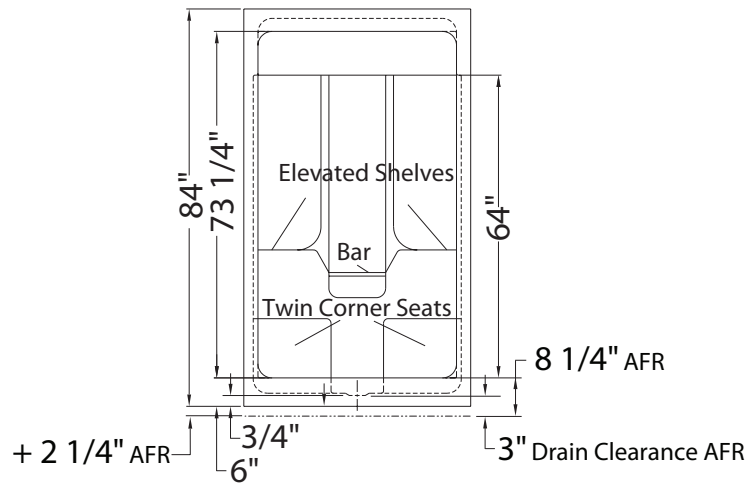
COMMON OPTIONS

No	Description	Approx. weight	List Price
OPT10171	Light for cap (factory-drilled hole)	N/A	\$ 166
OPT10180-105	Brushed Nickel grab bar (replacing acrylic bar)	N/A	\$ 50
OPT10180-084	Chrome grab bar (replacing acrylic bar)	N/A	\$ 26
OPT10180-085	Polished Brass grab bar (replacing acrylic bar)	N/A	\$ 50

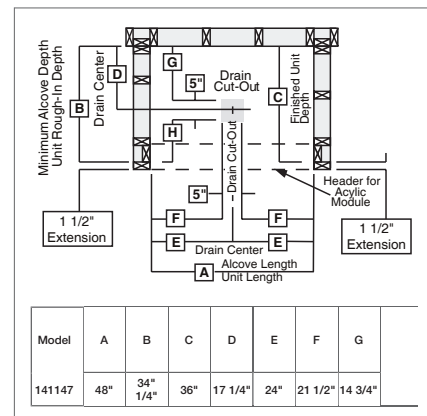
DOORS RECOMMENDED WITH THIS PRODUCT. REFER TO MAAX DOOR PRICE BOOK

No	Description
138294-XXX-XXX	Triple Plus 3-panel 42 1/2 x 66in. (1080 x 1676 mm)
136452-XXX-XXX	Kleara® 2-panel 39 1/2 - 42 1/2 in.
105414-XXX-XXX	Session 2-panel 42 - 47 1/2 in.
105413-XXX-XXX	Polar 2-panel 42 - 47 1/2 in.
136677-XXX-XXX	Reveal 71 pivot door 41 1/2 - 44 1/2 x 71 1/2 in.
134562-XXX-XXX	Kameleon 6 mm 40-44 in.
134662-XXX-XXX	Kameleon Soft Close 6 mm 40-44 in.

ACS/RS/LS/NS-48 (cont'd)



All dimensions are approximate. Structure measurements must be verified against the unit to ensure proper fit.



ACSHRSDM/LSDM/NSDM-48

48" x 33 1/4" x 88 - 90" - Acrylic

- One-piece acrylic shower with integrated roofcap
- Optional acrylic handle
- Built-in corner shelves with optional shelf rails
- Right/left-hand seat or no seat (comes with footrest(s) when no seat ordered)
- Center drain
- Textured floor
- Optional unique feature: Above-the-Floor Rough



ACRYLIC ALCOVE SHOWERS

SHOWER MODEL

No	Model	Dimensions	Pkg	Approx. weight	Std Color(s)
141053-000-XXX	1-piece shower 141053-R-000-XXX Right-hand seat and center drain 141053-L-000-XXX Left-hand seat and center drain 141053-000-XXX No seat and center drain Specify: Standard colors: White (001), Bone (004), Biscuit (007)	48 X 33 1/4 X 88 - 90 in.	80.67 ft ³	168 lb	\$ 1,241
	1-piece shower AFR 141053-AFR/R-000-XXX Above-the floor rough, Right-hand seat and center drain 141053-AFR/L-000-XXX Above-the floor rough, Left-hand seat and center drain 141053-AFR-000-XXX Above-the floor rough, No seat and center drain Specify: Standard colors: White (001), Bone (004), Biscuit (007)				

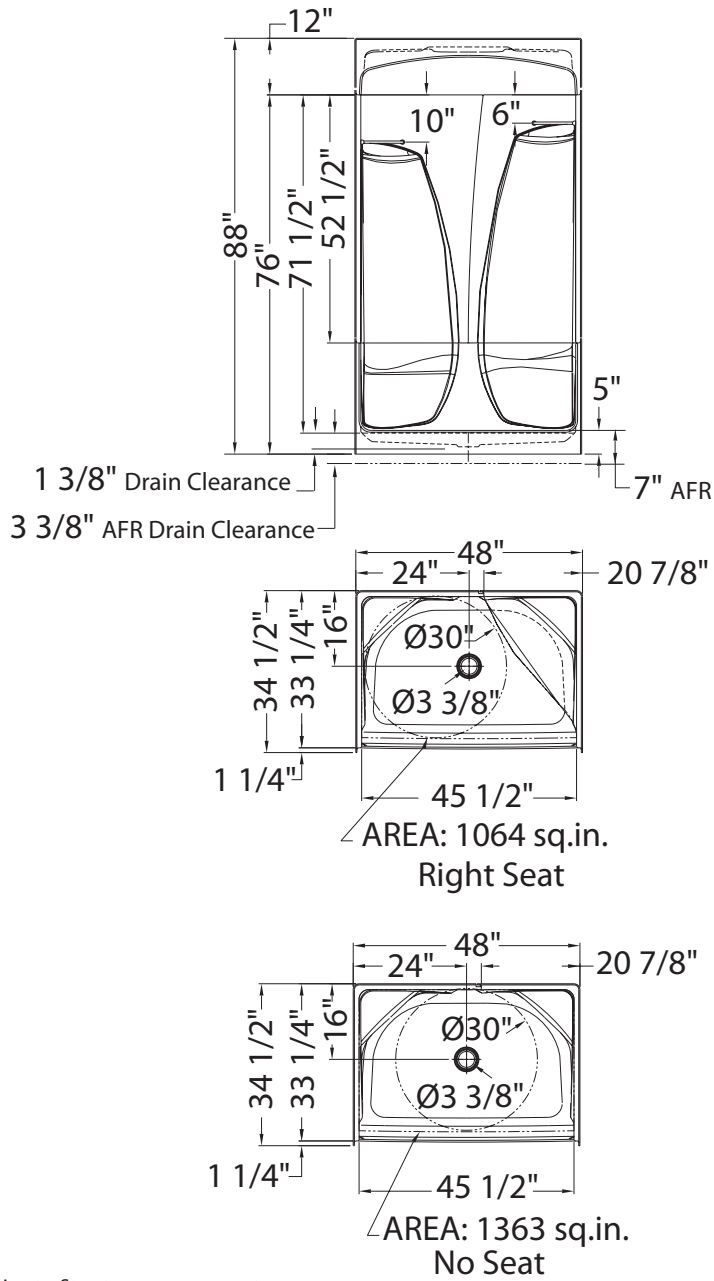
COMMON OPTIONS

No	Description	Approx. weight	List Price
OPT10167-105	Corner Shelf Rails in Brushed Nickel	N/A	\$ 172
OPT10167-084	Corner Shelf Rails in Chrome	N/A	\$ 142
OPT10167-085	Corner Shelf Rails in Polished Brass	N/A	\$ 172
OPT10169-007	12" Handle in Biscuit	N/A	\$ 51
OPT10169-004	12" Handle in Bone	N/A	\$ 51
OPT10169-105	12" Handle in Brushed Nickel	N/A	\$ 160
OPT10169-084	12" Handle in Chrome	N/A	\$ 160
OPT10169-001	12" Handle in White	N/A	\$ 51
OPT10171	Light for cap (factory-drilled hole)	N/A	\$ 166

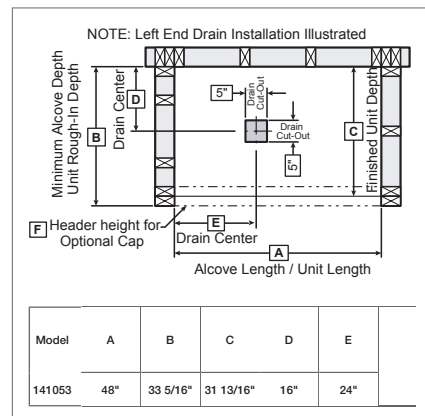
DOORS RECOMMENDED WITH THIS PRODUCT. REFER TO MAAX DOOR PRICE BOOK

No	Description
136453-XXX-XXX	Kleara® 2-panel 42 1/2 - 45 1/2 in.
136454-XXX-XXX	Kleara® 2-panel 45 1/2 - 48 1/2 in.
105414-XXX-XXX	Session 2-panel 42 - 47 1/2 in.
105413-XXX-XXX	Polar 2-panel 42 - 47 1/2 in.
136671-XXX-XXX	Reveal 71 pivot door 44 - 47 x 71 1/2 in.
134571-XXX-XXX	Kameleon 8 mm 43 - 47 in.
134674-XXX-XXX	Kameleon Soft Close 8 mm 43 - 47 in.
134563-XXX-XXX	Kameleon 6 mm 43-47 in.
134663-XXX-XXX	Kameleon Soft Close 6 mm 43-47 in.

ACSHRSDM/LSDM/NSDM-48 (cont'd)



All dimensions are approximate. Structure measurements must be verified against the unit to ensure proper fit.



ACSHRS/LS/NS-48

48" x 33 1/4" x 75 - 77" - Acrylic

- One-piece acrylic shower
- Built-in corner shelves with optional shelf rails
- Optional acrylic handle
- Right/left-hand seat or no seat (comes with footrest(s) when no seat ordered)
- Center drain
- Textured floor
- Optional unique feature: Above-the-Floor Rough



ACRYLIC ALCOVE SHOWERS

SHOWER MODEL

No	Model	Dimensions	Pkg	Approx. weight	Std Color(s)
141051-000-XXX	1-piece shower 141051-R-000-XXX Right-hand seat and center drain 141051-L-000-XXX Left-hand seat and center drain 141051-000-XXX No seat and center drain Specify: Standard colors: White (001), Bone (004), Biscuit (007)	48 X 33 1/4 X 75 - 77 in.	73.67 ft ³	200 lb	\$ 946
	1-piece shower AFR 141051-AFR/R-000-XXX Above-the floor rough, Right-hand seat and center drain 141051-AFR/L-000-XXX Above-the floor rough, Left-hand seat and center drain 141051-AFR-000-XXX Above-the floor rough, No seat and center drain Specify: Standard colors: White (001), Bone (004), Biscuit (007)				

COMMON OPTIONS

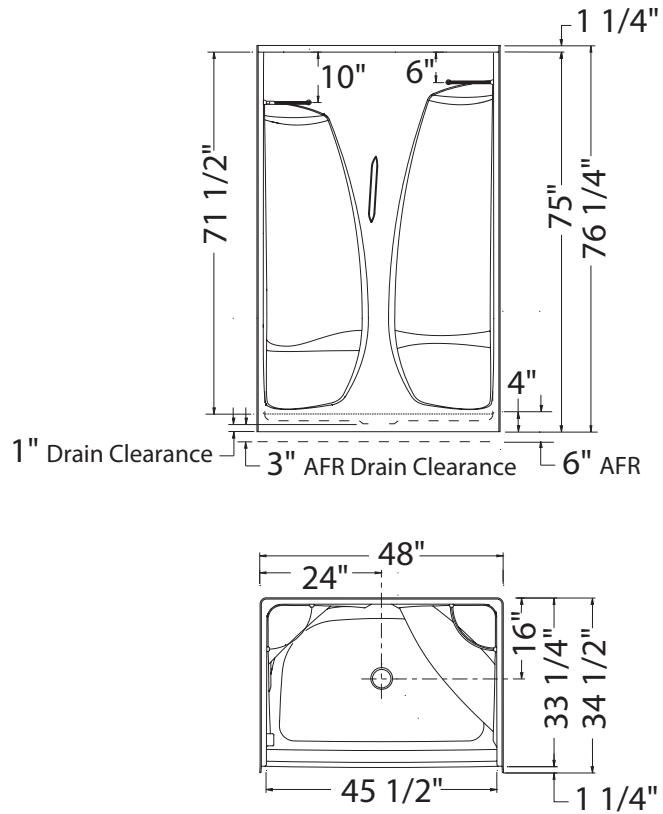
No	Description	Approx. weight	List Price
OPT10167-105	Corner Shelf Rails in Brushed Nickel	N/A	\$ 172
OPT10167-084	Corner Shelf Rails in Chrome	N/A	\$ 142
OPT10167-085	Corner Shelf Rails in Polished Brass	N/A	\$ 172
OPT10169-007	12" Handle in Biscuit	N/A	\$ 51
OPT10169-004	12" Handle in Bone	N/A	\$ 51
OPT10169-105	12" Handle in Brushed Nickel	N/A	\$ 160
OPT10169-084	12" Handle in Chrome	N/A	\$ 160
OPT10169-001	12" Handle in White	N/A	\$ 51

DOORS RECOMMENDED WITH THIS PRODUCT. REFER TO MAAX DOOR PRICE BOOK

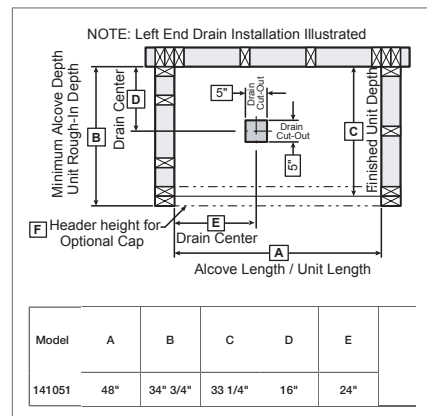
No	Description
136453-XXX-XXX	Kleara® 2-panel 42 1/2 - 45 1/2 in.
136454-XXX-XXX	Kleara® 2-panel 45 1/2 - 48 1/2 in.
105414-XXX-XXX	Session 2-panel 42 - 47 1/2 in.
105413-XXX-XXX	Polar 2-panel 42 - 47 1/2 in.
136671-XXX-XXX	Reveal 71 pivot door 44 - 47 x 71 1/2 in.
134571-XXX-XXX	Kameleon 8 mm 43 - 47 in.
134674-XXX-XXX	Kameleon Soft Close 8 mm 43 - 47 in.
134563-XXX-XXX	Kameleon 6 mm 43-47 in.
134663-XXX-XXX	Kameleon Soft Close 6 mm 43-47 in.

ACSHRS/LS/NS-48 (cont'd)

RS Version Illustrated



All dimensions are approximate. Structure measurements must be verified against the unit to ensure proper fit.



ACSHDM-36

36" x 33 1/4" x 88 - 90" - Acrylic

- One-piece acrylic shower with integrated roofcap
- Built-in corner shelves with optional shelf rails
- Integrated footrests
- Center drain • Textured floor
- Optional unique feature: Above-the-Floor Rough



ACRYLIC ALCOVE SHOWERS

SHOWER MODEL

No	Model	Dimensions	Pkg	Approx. weight	Std Color(s)
141050-000-XXX	1-piece shower 141050-000-XXX Center drain Specify: Standard colors: White (001), Bone (004), Biscuit (007)	36 X 33 1/4 X 88 - 90 in.	62.45 ft ³	136 lb	\$ 1,195
	1-piece shower AFR 141050-AFR-000-XXX Above-the-floor rough, center drain Specify: Standard colors: White (001), Bone (004), Biscuit (007)				

COMMON OPTIONS

No	Description	Approx. weight	List Price
OPT10167-105	Corner Shelf Rails in Brushed Nickel	N/A	\$ 172
OPT10167-084	Corner Shelf Rails in Chrome	N/A	\$ 142
OPT10167-085	Corner Shelf Rails in Polished Brass	N/A	\$ 172
OPT10171	Light for cap (factory-drilled hole)	N/A	\$ 166

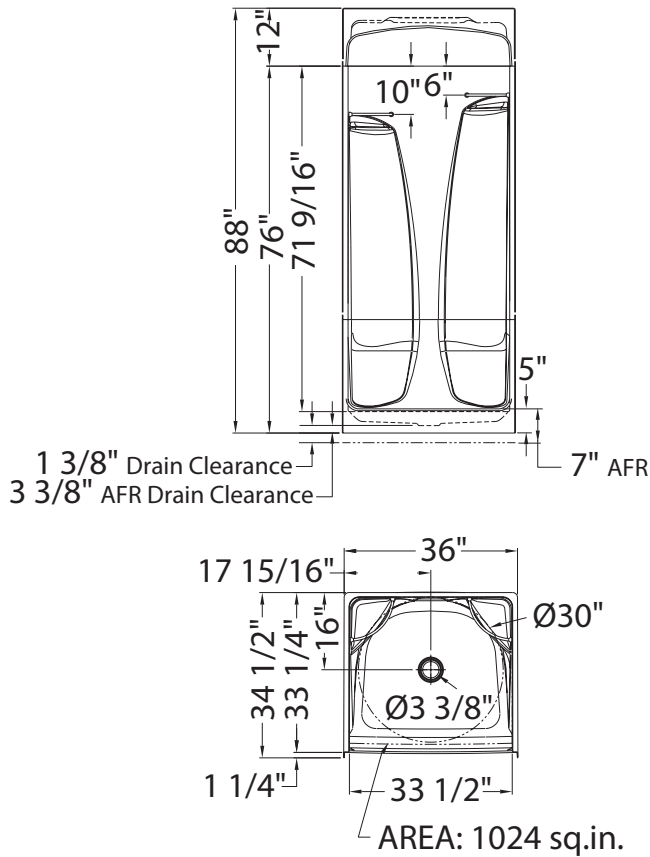
ACCESSORIES

No	Description	Approx. weight	List Price
10041845-XXX-601	Lifter kit for Pivolok doors Available colors: Chrome (084) and Brushed Nickel (105)	N/A	\$ 17

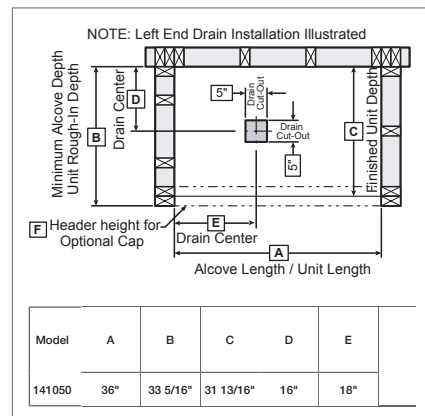
DOORS RECOMMENDED WITH THIS PRODUCT. REFER TO MAAX DOOR PRICE BOOK

No	Description
136450-XXX-XXX	Kleara® 2-panel 33 1/2 - 36 1/2 in.
136449-XXX-XXX	Kleara® 1-panel 31 1/2 - 33 1/2 in.
136435-XXX-XXX	Pivolok Deluxe 1-panel 32 1/2 - 37 in.
136656-XXX-XXX	Pivolok 1-panel 33 - 34 3/4 in.
105417-XXX-XXX	Madono 1-panel 31 1/2 - 33 1/2 in.
105485-XXX-XXX	Alexa® 1-panel 31 1/2 - 33 1/2 in.
136676-XXX-XXX	Reveal 71 pivot door 32 1/2 - 35 1/2 x 71 1/2 in.

ACSHDM-36 (cont'd)



All dimensions are approximate. Structure measurements must be verified against the unit to ensure proper fit.



ACSH-36

36" x 33 1/4" x 75 - 77" - Acrylic

- One-piece acrylic shower
- Built-in corner shelves with optional shelf rails
- Integrated footrests
- Center drain • Textured floor
- Optional unique feature: Above-the-Floor Rough



ACRYLIC ALCOVE SHOWERS

SHOWER MODEL

No	Model	Dimensions	Pkg	Approx. weight	Std Color(s)
141048-000-XXX	1-piece shower 141048-000-XXX Center drain Specify: Standard colors: White (001), Bone (004), Biscuit (007)	36 X 33 1/4 X 75 - 77 in.	55 ft ³	153 lb	\$ 912
	1-piece shower AFR 141048-AFR-000-XXX Above-the-floor rough, center drain Specify: Standard colors: White (001), Bone (004), Biscuit (007)				

COMMON OPTIONS

No	Description	Approx. weight	List Price
OPT10167-105	Corner Shelf Rails in Brushed Nickel	N/A	\$ 172
OPT10167-084	Corner Shelf Rails in Chrome	N/A	\$ 142
OPT10167-085	Corner Shelf Rails in Polished Brass	N/A	\$ 172

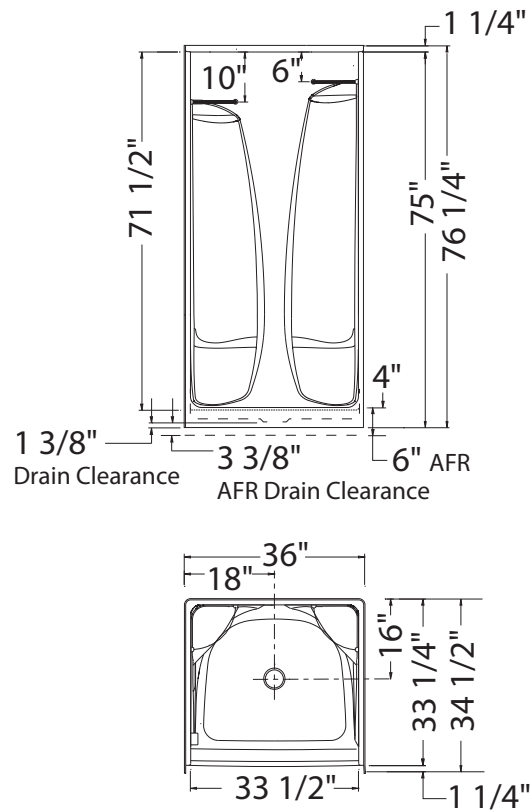
ACCESSORIES

No	Description	Approx. weight	List Price
10041845-XXX-601	Lifter kit for Pivlok doors Available colors: Chrome (084) and Brushed Nickel (105)	N/A	\$ 17

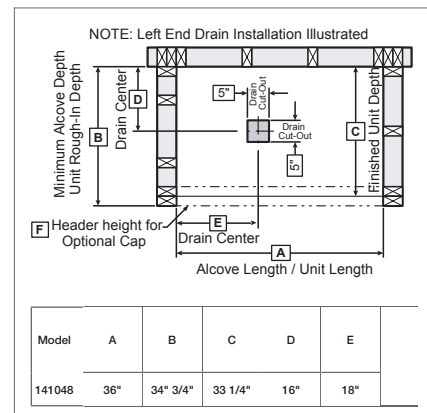
DOORS RECOMMENDED WITH THIS PRODUCT. REFER TO MAAX DOOR PRICE BOOK

No	Description
136450-XXX-XXX	Kleara® 2-panel 33 1/2 - 36 1/2 in.
136449-XXX-XXX	Kleara® 1-panel 31 1/2 - 33 1/2 in.
136435-XXX-XXX	Pivlok Deluxe 1-panel 32 1/2 - 37 in.
136656-XXX-XXX	Pivlok 1-panel 33 - 34 3/4 in.
105417-XXX-XXX	Madono 1-panel 31 1/2 - 33 1/2 in.
105485-XXX-XXX	Alexa® 1-panel 31 1/2 - 33 1/2 in.
136676-XXX-XXX	Reveal 71 pivot door 32 1/2 - 35 1/2 x 71 1/2 in.

ACSH-36 (cont'd)



All dimensions are approximate. Structure measurements must be verified against the unit to ensure proper fit.



ACS-36

36" x 32 3/4" x 84 - 86 1/4" - Acrylic

- One-piece acrylic shower with integrated roofcap
- Built-in corner shelves
- Center drain
- Textured floor
- Optional unique feature: Above-the-Floor Rough



ACRYLIC ALCOVE SHOWERS

SHOWER MODEL

No	Model	Dimensions	Pkg	Approx. weight	Std Color(s)
141146-000-XXX	1-piece shower 141146-000-XXX Center drain Specify: Standard colors: White (001), Bone (004), Biscuit (007) 1-piece shower AFR 141146-AFR-000-XXX Above-the-floor rough, center drain Specify: Standard colors: White (001), Bone (004), Biscuit (007)	36 X 32 3/4 X 84 - 86 1/4 in.	0.01 ft ³	160 lb	\$ 1,195

COMMON OPTIONS

No	Description	Approx. weight	List Price
OPT10171	Light for cap (factory-drilled hole)	N/A	\$ 166

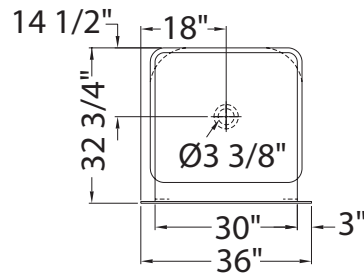
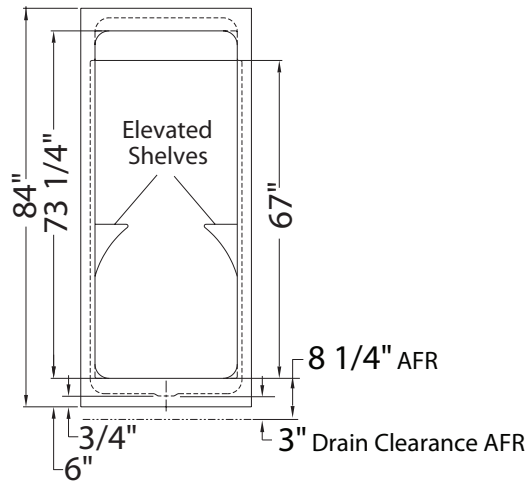
ACCESSORIES

No	Description	Approx. weight	List Price
10041845-XXX-601	Lifter kit for Pivlok doors Available colors: Chrome (084) and Brushed Nickel (105)	N/A	\$ 17

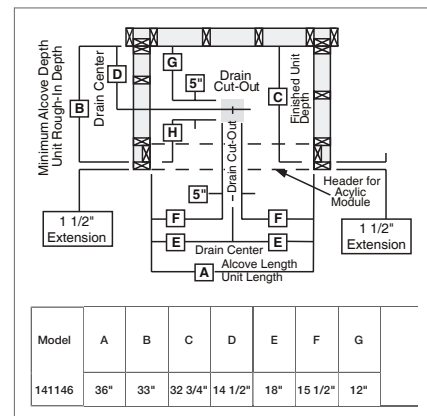
DOORS RECOMMENDED WITH THIS PRODUCT. REFER TO MAAX DOOR PRICE BOOK

No	Description
136448-XXX-XXX	Kleara® 1-panel 29 1/2 - 31 1/2 in.
136425-XXX-XXX	Pivlok Deluxe 1-panel 28 - 32 1/2 in.
136645-XXX-XXX	Pivlok 1-panel 29 - 30 3/4 in.
105416-XXX-XXX	Madono 1-panel 28 1/2 - 30 1/2 in.
105484-XXX-XXX	Alexa® 1-panel 28 1/2 - 30 1/2 in.

ACS-36 (cont'd)



All dimensions are approximate. Structure measurements must be verified against the unit to ensure proper fit.



ACSH-NA

38 3/4" x 38 3/4" x 77 3/4" - Acrylic

- One-piece neo-angle corner shower
- Three-level built-in corner shelves
- Integrated footrest
- Back center drain



ACRYLIC CORNER SHOWERS

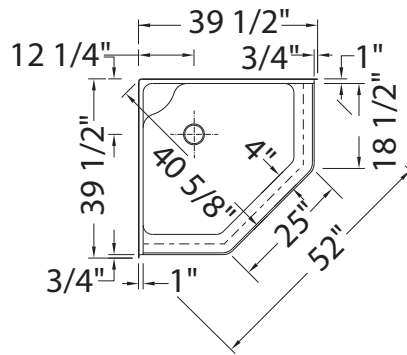
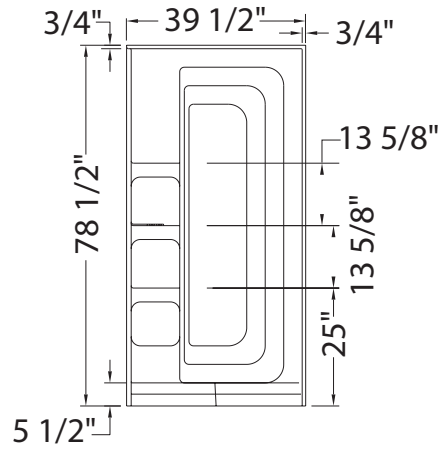
SHOWER MODEL

No	Model	Dimensions	Pkg	Approx. weight	Std Color(s)
141056-000-XXX	1-piece shower 141056-000-XXX Center drain Specify: Standard colors: White (001), Bone (004), Biscuit (007)	38 3/4 X 38 3/4 X 77 3/4 in.	75 ft ³	107 lb	\$ 1,208

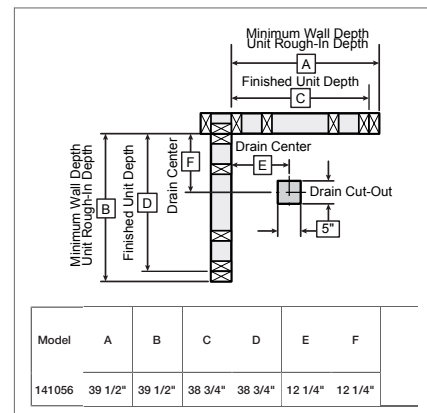
DOORS RECOMMENDED WITH THIS PRODUCT. REFER TO MAAX DOOR PRICE BOOK

No	Description
137610-XXX-XXX	Illusion neo-angle 38 X 38 in.

ACSH-NA (cont'd)



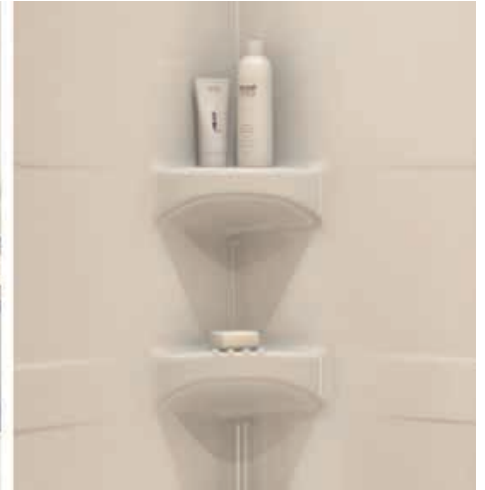
All dimensions are approximate. Structure measurements must be verified against the unit to ensure proper fit.



ACSH-RD

36 1/4" x 36 1/4" x 77 1/2" - Acrylic

- One-piece round corner shower
- Three-level built-in corner shelves
- Integrated footrest
- Back center drain
- Textured floor



ACRYLIC CORNER SHOWERS

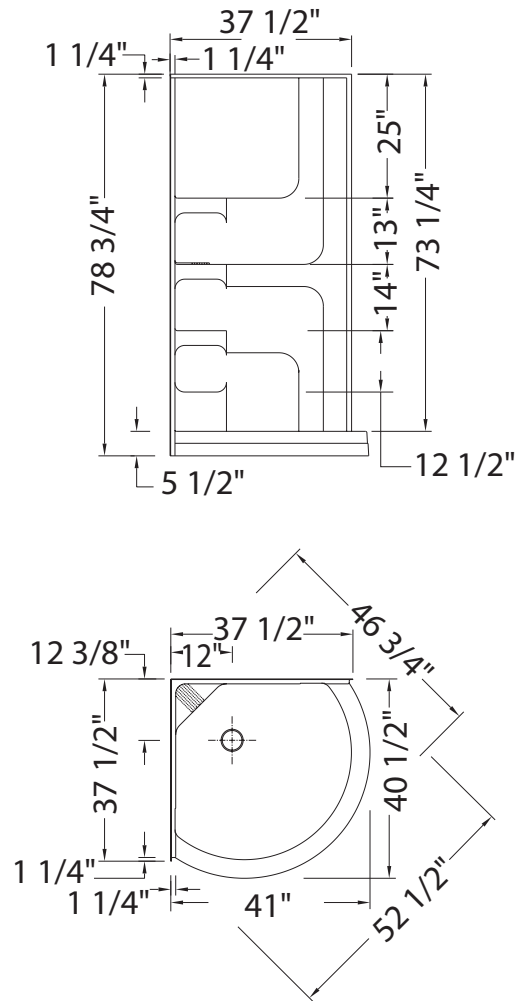
SHOWER MODEL

No	Model	Dimensions	Pkg	Approx. weight	Std Color(s)
141057-000-XXX	1-piece shower 141057-000-XXX Center drain Specify: Standard colors: White (001), Bone (004), Biscuit (007)	36 1/4 X 36 1/4 X 77 1/2 in.	80 ft ³	103 lb	\$ 1,329

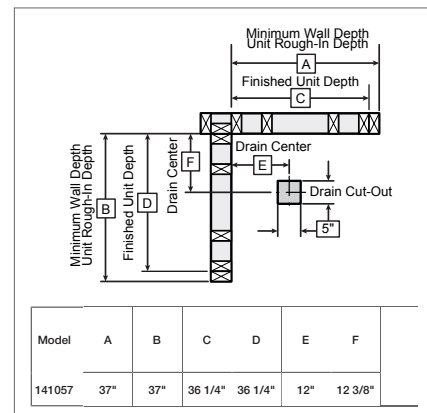
DOORS RECOMMENDED WITH THIS PRODUCT. REFER TO MAAX DOOR PRICE BOOK

No	Description
137595-XXX-XXX	Tully® round 36 X 36 in.
137596-XXX-XXX	Tully® round 36 X 36 in.

ACSH-RD (cont'd)



All dimensions are approximate. Structure measurements must be verified against the unit to ensure proper fit.



Recommended: MAAX® SHOWER DOORS WITH AKER SHOWERS.

Why choose MAAX® shower doors:

- ✓ Worry-Free Experience
- ✓ Lasting Elegance
- ✓ 10-year warranty

KEY FEATURES AT A GLANCE



Soft Close

The Soft Close by MAAX feature eliminates accidental slams and pinched fingers by easing the door shut no matter how hard you slam it.



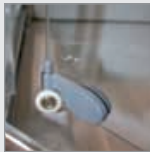
Glass Thickness

The thickness of the glass affects the overall look, feel, stability and price of a shower door. MAAX shower doors are made of first quality tempered glass and come in a variety of thicknesses: 1/4" (6 mm), 5/16" (8 mm) and 3/8" (10 mm). Choose the right thickness for the right look at the right price.



Clip and Push System

Many MAAX shower doors are equipped with easy to unclip bottom door rollers to simplify maintenance. Simply unclip, slightly push the door panel and clean away!



Reversible Header

Selected MAAX slider door headers are reversible which allow you to choose between two designs. Header styles may vary per door model.



EZ Kleen® Track System

MAAX doors are easy to clean. The rollers are designed to be removed easily, which makes it simple to clean. On specified alcove sliding doors, the EZ Kleen® track system is offered.



COLOR CHART

Panel Finishes (Tempered Glass)



CLEAR (900)



DESIGN #49 (949)



DESIGN #53 (953)



EFFERVESCENCE



FROST (986)



HAMMER (965)



LINEN



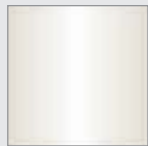
MISTELITE (981)



RAINDROP (970)

Note: Not all panel finishes are available for all door models and sizes.

Aluminum Frame Finishes



WHITE (001)-(003)



CHROME (084)



NICKEL (105)



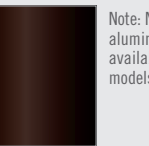
BRUSHED NICKEL (305)



MAT SILVER (170)



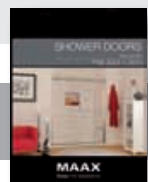
SATIN NICKEL (171)



DARK BRONZE (172)

Note: Not all aluminum frame are available for all door models and sizes.

For more information, please consult MAAX® Shower Doors Price List.



MAAX[®] ALCOVE SHOWER DOORS WITH AKER ALCOVE SHOWERS

Alexa
1-Panel

10 3/8
MM IN.

24 1/2-26 1/2 x 67 IN.
28 1/2-30 1/2 x 67 IN.
31 1/2-33 1/2 x 67 IN.
34 1/2-36 1/2 x 67 IN.

Door Opening
1-PANEL PIVOT

Frame Finish
(084)

Panel Finish
CLEAR (900)



Halo
2-Panel **NEW**

8 5/16
MM IN.

44 1/2 - 47 X 78 3/4 IN.
56 1/2 - 59 X 78 3/4 IN.

Door Opening
2-PANEL SLIDER

Frame Finish
(084)

Panel Finish
CLEAR (900)



Kameleon
2-Panel **NEW**

6 1/4 **8 5/16**
MM IN. MM IN.

SC **R**

40-44 X 71 IN 51-55 X 71 IN
43-47 X 71 IN 55-59 X 71 IN

Door Opening
2-PANEL SLIDER

Frame Finish
(084) (305) (172)

Panel Finish
CLEAR (900)
MISTELITE (981)
LINEN (988)
EFFERVESCENCE (989)



Kleara
1-Panel


6 1/4
MM IN.

23 1/2-25 1/2 x 69 IN.
25 1/2-27 1/2 x 69 IN.
27 1/2-29 1/2 x 69 IN.
29 1/2-31 1/2 x 69 IN.
31 1/2-33 1/2 x 69 IN.

Door Opening
1-PANEL PIVOT

Frame Finish
(084) (105)

Panel Finish
CLEAR (900)
MISTELITE (981)



Kleara
2-Panel


6 1/4
MM IN.

33 1/2-36 1/2 x 69 IN.
36 1/2-39 1/2 x 69 IN.
39 1/2-42 1/2 x 69 IN.
42 1/2-45 1/2 x 69 IN.
45 1/2-48 1/2 x 69 IN.
48 1/2-51 1/2 x 69 IN.
51 1/2-54 1/2 x 69 IN.
54 1/2-57 1/2 x 69 IN.
57 1/2-60 1/2 x 69 IN.

Door Opening
2-PANEL PIVOT

Frame Finish
(084) (105)

Panel Finish
CLEAR (900)
MISTELITE (981)



Madono
1-Panel

6 1/4
MM IN.

24 1/2-26 1/2 x 67 IN.
28 1/2-30 1/2 x 67 IN.
31 1/2-33 1/2 x 67 IN.
34 1/2-36 1/2 x 67 IN.

Door Opening
1-PANEL PIVOT

Frame Finish
(084)

Panel Finish
CLEAR (900)



Pivlok
1-Panel

19-20 3/4 x 64 1/2 IN.
21-22 3/4 x 64 1/2 IN.
23-24 3/4 x 64 1/2 IN.
25-26 3/4 x 64 1/2 IN.
27-28 3/4 x 64 1/2 IN.
29-30 3/4 x 64 1/2 IN.
31-32 3/4 x 64 1/2 IN.
33-34 3/4 x 64 1/2 IN.

Door Opening
1-PANEL PIVOT

Frame Finish
(001) (084)

Panel Finish
CLEAR (900)
DESIGN #49 (949)
RAINDROP (970)



Pivlok Deluxe
1-Panel

28-32 1/2 x 64 1/2 IN.
32 1/2-37 x 64 1/2 IN.

Door Opening
1-PANEL PIVOT

Frame Finish
(001) (084)

Panel Finish
CLEAR (900)
DESIGN #49 (949)
HAMMER (965)



Polar
2-Panel


EZ

42-47 1/2 x 68 IN.
54-59 1/2 x 68 IN.

Door Opening
2-PANEL SLIDER

Frame Finish
(084) (171)

Panel Finish
RAINDROP (970)



Reveal 71
2-Panel **NEW**


8 5/16
MM IN.

32 1/2 - 35 1/2 x 71 1/2 IN.
38 - 41 x 71 1/2 IN.
41 1/2 - 44 1/2 x 71 1/2 IN.
44 - 47 x 71 1/2 IN.
51 1/2 - 54 1/2 x 71 1/2 IN.
56 - 59 x 71 1/2 IN.

Door Opening
2-PANEL PIVOT

Frame Finish
(084)

Panel Finish
CLEAR (900)



Reveal 75
2-Panel **NEW**

8 5/16
MM IN.

32 1/2 - 35 1/2 x 75 IN.
38 - 41 x 75 IN.
44 - 47 x 75 IN.
56 - 59 x 75 IN.

Door Opening
2-PANEL PIVOT

Frame Finish
(084)


Panel Finish
CLEAR (900)



MAAX[®] ALCOVE SHOWER DOORS WITH AKER ALCOVE SHOWERS (cont'd)

Session
2-Panel

6 1/4 IN. **R** **EZ**



42-47 1/2 x 71 IN.
54-59 1/2 x 71 IN.


Door Opening
2-PANEL SLIDER

Frame Finish
(084)

Panel Finish
CLEAR (900)

Triple Plus
3-Panel

SG



36 x 69 IN. 48 x 69 IN.
40 x 66 IN. 52 1/2 x 66 IN.
42 1/2 x 66 IN. 54 1/2 x 66 IN.
43 x 69 58 x 66 IN.
44 1/2 x 66 IN. 59 1/2 x 71 IN.
48 x 66 IN.

Door Opening
3-PANEL SLIDER

Frame Finish
(001) (084) (105)

Panel Finish
**CLEAR (900)
HAMMER (965)
RAINDROP (970)**

MAAX[®] CORNER SHOWER DOORS WITH AKER CORNER SHOWERS

Centric
Square

6 1/4 IN.



32 x 32 x 70 IN.
36 x 36 x 70 IN.
40 x 40 x 70 IN.

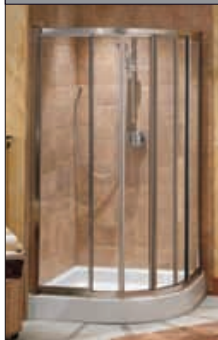
Door Opening
SQUARE SLIDER

Frame Finish
(084) (105)

Panel Finish
**CLEAR (900)
FROST (986)**

Contoura
Neo-Round

6 1/4 IN. **CP**



32 x 32 x 70 IN.
36 x 36 x 70 IN.
40 x 40 x 70 IN.

Door Opening
NEO-ROUND SLIDER

Frame Finish
(001) (084) (105)

Panel Finish
**CLEAR (900)
RAINDROP (970)**

Illusion
Neo-Angle



36 x 36 x 70 IN.
38 x 38 x 70 IN.
40 x 40 x 70 IN.
42 x 42 x 70 IN.


Door Opening
NEO-ANGLE SLIDER

Frame Finish
(001) (084)

Panel Finish
**CLEAR (900)
RAINDROP (970)**

Intuition
Neo-Angle

6 1/4 IN. **CP**



36 x 36 x 70 IN.
38 x 38 x 70 IN.
40 x 40 x 70 IN.


Door Opening
NEO-ANGLE SLIDER

Frame Finish
(084) (105)

Panel Finish
**CLEAR (900)
MISTELITE (981)**

Intuition
Neo-Round

6 1/4 IN. **CP**




32 x 32 x 70 IN.
36 x 36 x 70 IN.
40 x 40 x 70 IN.
42 x 42 x 70 IN.

Door Opening
NEO-ROUND SLIDER

Frame Finish
(084) (105)

Panel Finish
**CLEAR (900)
MISTELITE (981)**

Silhouette Plus
Neo-Angle



36 x 36 x 70 IN.
38 x 38 x 70 IN.
40 x 40 x 70 IN.

Door Opening
NEO-ANGLE PIVOT

Frame Finish
(084)

Panel Finish
**CLEAR (900)
DESIGN #49 (949)
HAMMER (965)
RAINDROP (970)**

Talen
Neo-Round

6 1/4 IN. **CP**



36 x 36 x 70 IN.
40 x 40 x 70 IN.
42 x 42 x 70 IN.

Door Opening
NEO-ROUND SLIDER

Frame Finish
(084) (105)

Panel Finish
**CLEAR (900)
FROST (986)**

Tully
Round

6 1/4 IN. **CP**



36 x 36 x 70 IN.

Door Opening
ROUND SLIDER

Frame Finish
(084) (105)

Panel Finish
CLEAR (900)

Reveal 71
2-Panel **NEW**

8 5/16 IN.



32 1/2 - 35 1/2 x 71 1/2 IN.
38 - 41 x 71 1/2 IN.
41 1/2 - 44 1/2 x 71 1/2 IN.
44 - 47 x 71 1/2 IN.
51 1/2 - 54 1/2 x 71 1/2 IN.
56 - 59 x 71 1/2 IN.

Door Opening
2-PANEL PIVOT

Frame Finish
(084)

Panel Finish
CLEAR (900)

To be ordered with return panel
32 IN., 34 IN. or 36 IN.

SHOWER BASES

SHOWER
BASES

SPS 3460 SHOWER BASE

KER
BY MAAX

REFERENCE GUIDE: SHOWER BASES

SHOWER BASES

SP BASES p. 306



60 x 36 x 6
60 x 32 x 6
48 x 36 x 6
48 x 34 x 6
48 x 32 x 6
42 x 34 x 6

SPS BASES p. 308



60 x 34 x 20
60 x 30 x 20
48 x 34 x 20

SPL-3950 p. 324

NEW



50 x 39 x 3

SPL BASES p. 326



36 x 36 x 3
32 x 32 x 3

SPCN-3636 p. 328



36 x 36 x 6

SP-NAS p. 332



36 x 36 x 6

SUMMARY: SHOWER BASES

● = NEW PRODUCT

NAME	MODEL	EXTERNAL DIMENSIONS	THRESHOLD		DRAIN LOCATION	INTEGRATED SEAT	PAGE
			3"	6"			
SHOWER BASES							
SP-3660	141074	60 x 36 x 6		●	Center		306
SPS 3460	142044	60 x 34 x 20			Center, L or R	L or R	308
SP-3260	141073	60 x 32 x 6		●	Center		310
SPS 3060	142038	60 x 30 x 20			Center, L or R	L or R	312
SP-3648	141072	48 x 36 x 6		●	Center		314
SPS 3448	142032	48 x 34 x 20			Center	L or R	316
SP-3448	141071	48 x 34 x 6		●	Center		318
SP-3248	141070	48 x 32 x 6		●	Center		320
SP-3442	141069	42 x 34 x 6		●	Center		322
● SPL-3950	141365	50 x 39 x 3	●		Center		324
SPL 3636	142026	36 x 36 x 3			Center		326
SPCN-3636	141076	36 x 36 x 6		●	Corner		328
SPL 3232	142020	32 x 32 x 3			Center		330
SP-NAS	141075	36 x 36 x 6		●	Corner		332

SP-3660

60" x 36" x 6" - Gelcoat

- Rectangular shower base
- Integrated tiling flange
- Textured floor
- Center drain

SHOWER BASES



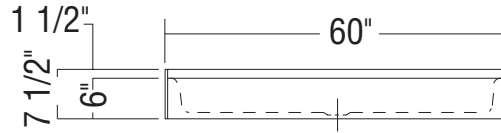
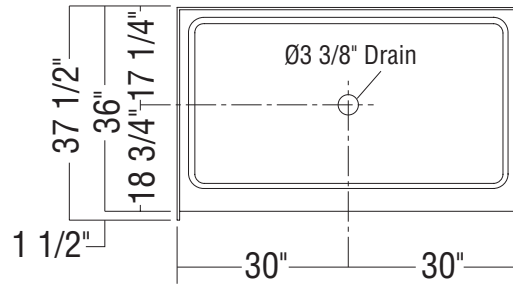
SHOWER MODEL

No	Model	Dimensions	Pkg	Approx. weight	Std Color(s)	Non-std Colors
141074-000	Rectangular shower base 141074-000-XXX Center drain Specify: Standard colors: White (002), Bone (004), Biscuit (007) Non-standard colors: Refer to color chart in this book.	60 X 36 X 6 in.	17.63 ft ³	49 lb	\$ 335	\$ 385

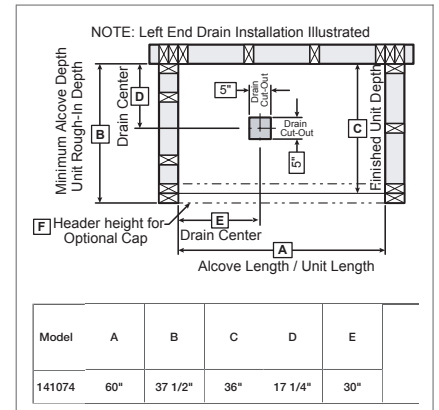
DOORS RECOMMENDED WITH THIS PRODUCT. REFER TO MAAX DOOR PRICE BOOK

No	Description
138311-XXX-XXX	Triple Plus 3-panel 59 1/2 x 71 in.
136458-XXX-XXX	Kleara® 2-panel 57 1/2 - 60 1/2 in.
105415-XXX-XXX	Session 2-panel 54 - 59 1/2 in.
105412-XXX-XXX	Polar 2-panel 54 - 59 1/2 in.
136672-XXX-XXX	Reveal 71 pivot door 56 - 59 x 71 1/2 in.
138997-XXX-XXX	Halo 2-panel 56 1/2 - 59 x 78 3/4 in.
136881-XXX-XXX	Reveal 75 pivot door 56 - 59 x 75 in.
134572-XXX-XXX	Kameleon 8 mm 55 - 59 in.
134675-XXX-XXX	Kameleon Soft Close 8 mm 55 - 59 in.
134565-XXX-XXX	Kameleon 6 mm 55-59 in.
134665-XXX-XXX	Kameleon Soft Close 6 mm 55-59 in.

SP-3660 (cont'd)



All dimensions are approximate. Structure measurements must be verified against the unit to ensure proper fit.



SPS 3460

59 7/8" x 33 1/2" x 20 1/8" - Gelcoat

- Rectangular shower base • Tile adaptor required for door installation
- Integrated tiling flange
- Right or left integrated seat
- (3 3/8 in.) Above-the-Floor Rough available
- Textured floor • Right, Left or Center drain

SHOWER BASES



SHOWER MODEL

No	Model	Dimensions	Pkg	Approx. weight	Std Color(s)	Non-std Colors
142044-000-XXX	Rectangular shower base 142044-R-000-XXX Right seat, left drain 142044-L-000-XXX Left seat, right drain 142044-000-XXX No seat, center drain Specify: Standard colors: White (002), Bone (004), Biscuit (007) Non-standard colors: Refer to color chart in this book.	59 7/8 X 33 1/2 X 20 1/8 in.	28 ft ³	55 lb	\$ 617	\$ 667
142045-000-XXX	Rectangular shower base AFR 142045-R-000-XXX Above-the-floor rough, right seat, left drain 142045-L-000-XXX Above-the-floor rough, left seat, right drain 142045-000-XXX Above-the-floor rough, no seat, center drain Specify: Standard colors: White (002), Bone (004), Biscuit (007) Non-standard colors: Refer to color chart in this book.	59 7/8 X 33 1/2 X 22 1/8 in.	28 ft ³	55 lb	\$ 617	\$ 667

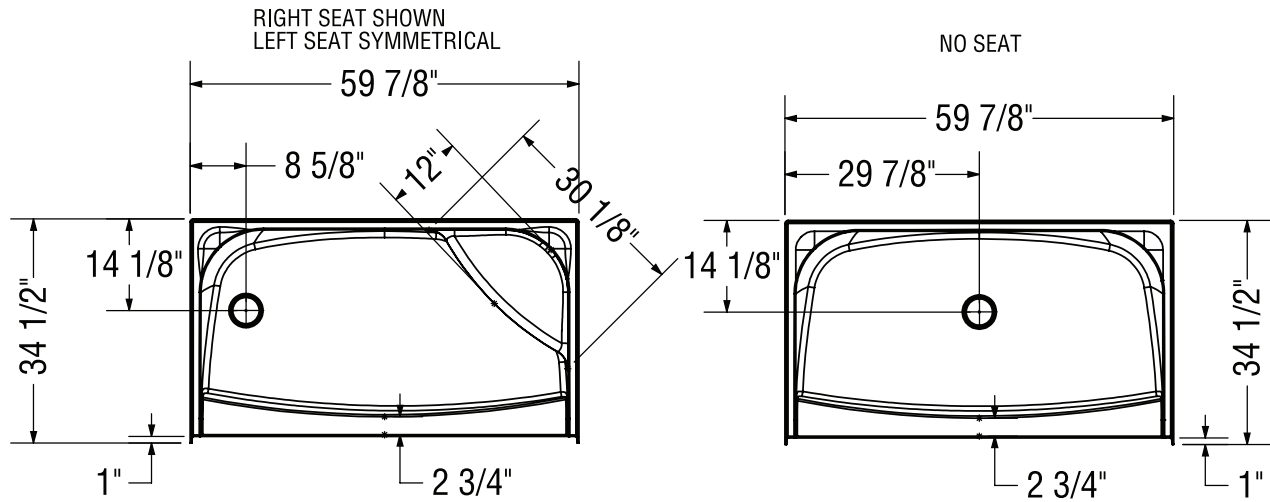
ACCESSORIES

No	Description	Approx. weight	List Price
10024636-XXX	Tile Adaptor (for base only installation) Available colors: White (002), Bone (004), Biscuit (007)	10 lb	\$ 117

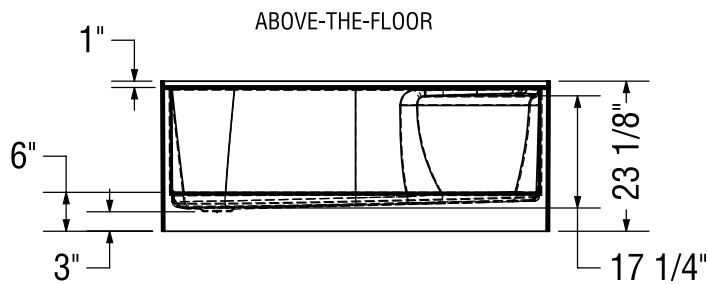
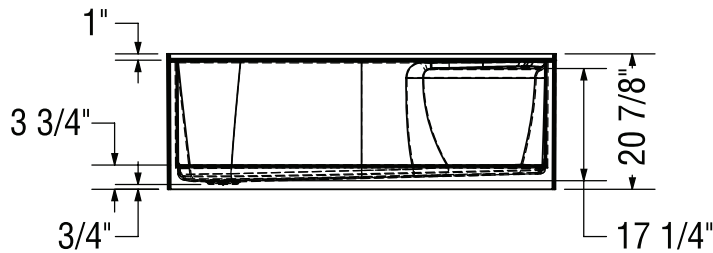
DOORS RECOMMENDED WITH THIS PRODUCT. REFER TO MAAK DOOR PRICE BOOK

No	Description
138311-XXX-XXX	Triple Plus 3-panel 59 1/2 x 71 in.
136458-XXX-XXX	Kleara® 2-panel 57 1/2 - 60 1/2 in.
105415-XXX-XXX	Session 2-panel 54 - 59 1/2 in.
105412-XXX-XXX	Polar 2-panel 54 - 59 1/2 in.
105488-XXX-XXX	Session 2-panel 54 - 59 1/2 in.
136672-XXX-XXX	Reveal 71 pivot door 56 - 59 x 71 1/2 in.
138997-XXX-XXX	Halo 2-panel 56 1/2 - 59 x 78 3/4 in.
136881-XXX-XXX	Reveal 75 pivot door 56 - 59 x 75 in.
134572-XXX-XXX	Kameleon 8 mm 55 - 59 in.
134675-XXX-XXX	Kameleon Soft Close 8 mm 55 - 59 in.
134565-XXX-XXX	Kameleon 6 mm 55-59 in.
134665-XXX-XXX	Kameleon Soft Close 6 mm 55-59 in.

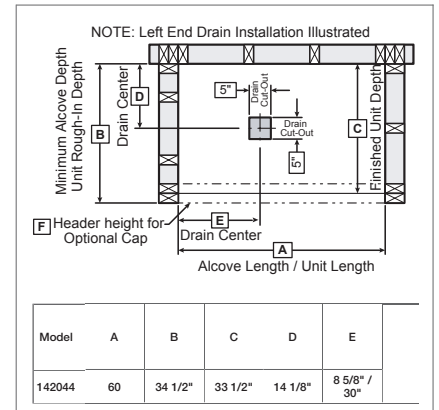
SPS 3460 (cont'd)



NOT ABOVE-THE-FLOOR



All dimensions are approximate. Structure measurements must be verified against the unit to ensure proper fit.



SP-3260

60" x 32" x 6" - Gelcoat

- Rectangular shower base
- Integrated tiling flange
- Textured floor
- Center drain

SHOWER BASES



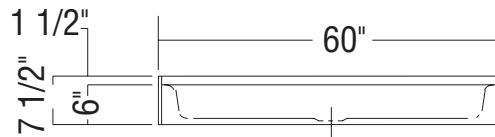
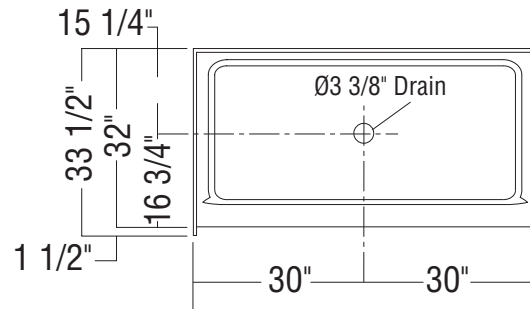
SHOWER MODEL

No	Model	Dimensions	Pkg	Approx. weight	Std Color(s)	Non-std Colors
141073-000-XXX	Rectangular shower base 141073-000-XXX Center drain Specify: Standard colors: White (002), Bone (004), Biscuit (007) Non-standard colors: Refer to color chart in this book.	60 X 32 X 6 in.	8 ft ³	49 lb	\$ 321	\$ 371

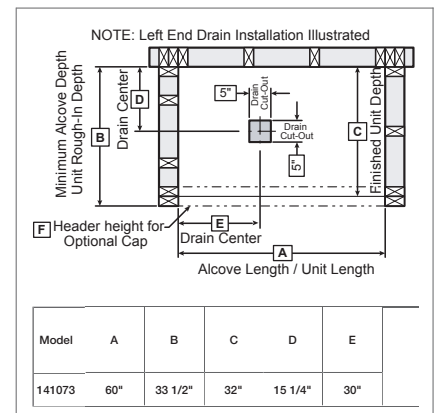
DOORS RECOMMENDED WITH THIS PRODUCT. REFER TO MAAX DOOR PRICE BOOK

No	Description
138311-XXX-XXX	Triple Plus 3-panel 59 1/2 x 71 in.
136458-XXX-XXX	Kleara® 2-panel 57 1/2 - 60 1/2 in.
105415-XXX-XXX	Session 2-panel 54 - 59 1/2 in.
105412-XXX-XXX	Polar 2-panel 54 - 59 1/2 in.
105488-XXX-XXX	Tonik 2-panel 54 - 59 1/2 in.
136672-XXX-XXX	Reveal 71 pivot door 56 - 59 x 71 1/2 in.
138997-XXX-XXX	Halo 2-panel 56 1/2 - 59 x 78 3/4 in.
136881-XXX-XXX	Reveal 75 pivot door 56 - 59 x 75 in.
134572-XXX-XXX	Kameleon 8 mm 55 - 59 in.
134675-XXX-XXX	Kameleon Soft Close 8 mm 55 - 59 in.
134565-XXX-XXX	Kameleon 6 mm 55-59 in.
134665-XXX-XXX	Kameleon Soft Close 6 mm 55-59 in.

SP-3260 (cont'd)



All dimensions are approximate. Structure measurements must be verified against the unit to ensure proper fit.



SPS 3060

59 7/8" x 30" x 20 1/8" - Gelcoat

- Rectangular shower base • Tile adaptor required for door installation
- Integrated tiling flange
- Right or left integrated seat
- (3 3/8 in.) Above-the-Floor Rough available
- Textured floor • Right, Left or Center drain

SHOWER BASES



SHOWER MODEL

No	Model	Dimensions	Pkg	Approx. weight	Std Color(s)	Non-std Colors
142038-000-XXX	Rectangular shower base 142038-R-000-XXX Right seat, left drain 142038-L-000-XXX Left seat, right drain 142038-000-XXX No seat, center drain Specify: Standard colors: White (002), Bone (004), Biscuit (007) Non-standard colors: Refer to color chart in this book.	59 7/8 X 30 X 20 1/8 in.	28 ft ³	52 lb	\$ 551	\$ 601
142039-000-XXX	Rectangular shower base AFR 142039-R-000-XXX Above-the-floor rough, right seat, left drain 142039-L-000-XXX Above-the-floor rough, left seat, right drain 142039-000-XXX Above-the-floor rough, no seat, center drain Specify: Standard colors: White (002), Bone (004), Biscuit (007) Non-standard colors: Refer to color chart in this book.	59 7/8 X 30 X 22 1/8 in.	28 ft ³	52 lb	\$ 551	\$ 601

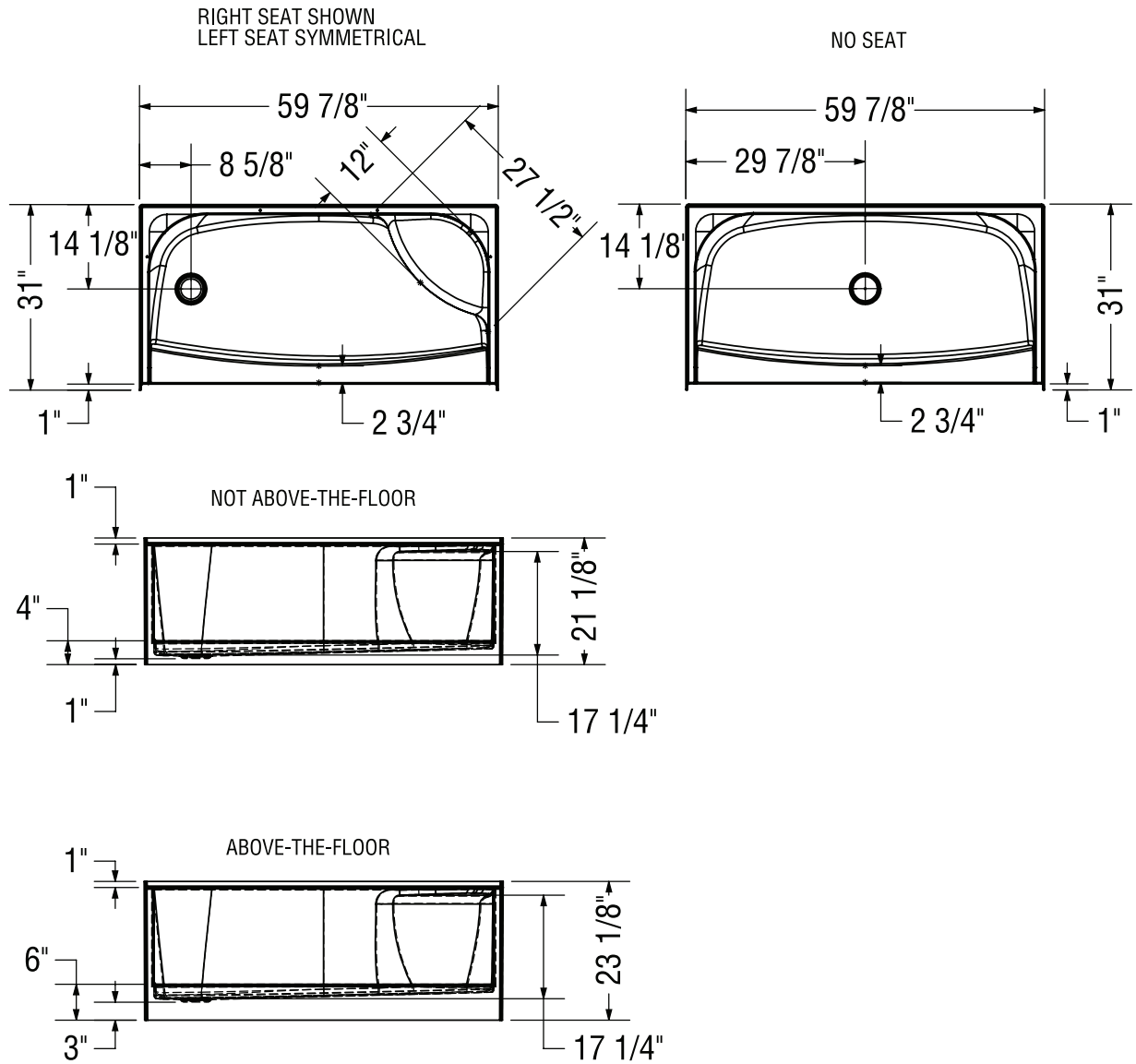
ACCESSORIES

No	Description	Approx. weight	List Price
10024636-XXX	Tile Adaptor (for base only installation) Available colors: White (002), Bone (004), Biscuit (007)	10 lb	\$ 117

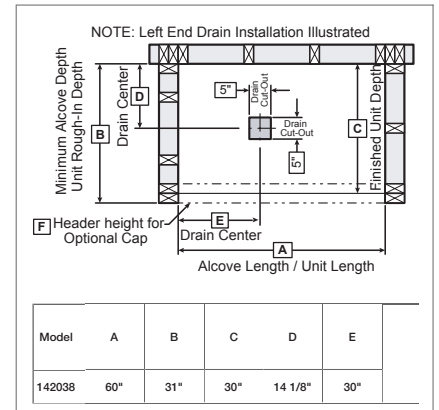
DOORS RECOMMENDED WITH THIS PRODUCT. REFER TO MAAK DOOR PRICE BOOK

No	Description
138311-XXX-XXX	Triple Plus 3-panel 59 1/2 x 71 in.
136458-XXX-XXX	Kleara® 2-panel 57 1/2 - 60 1/2 in.
105415-XXX-XXX	Session 2-panel 54 - 59 1/2 in.
105488-XXX-XXX	Session 2-panel 54 - 59 1/2 in.
136672-XXX-XXX	Reveal 71 pivot door 56 - 59 x 71 1/2 in.
138997-XXX-XXX	Halo 2-panel 56 1/2 - 59 x 78 3/4 in.
136881-XXX-XXX	Reveal 75 pivot door 56 - 59 x 75 in.
134572-XXX-XXX	Kameleon 8 mm 55 - 59 in.
134675-XXX-XXX	Kameleon Soft Close 8 mm 55 - 59 in.
134565-XXX-XXX	Kameleon 6 mm 55-59 in.
134665-XXX-XXX	Kameleon Soft Close 6 mm 55-59 in.

SPS 3060 (cont'd)



All dimensions are approximate. Structure measurements must be verified against the unit to ensure proper fit.



SP-3648

48" x 36" x 6" - Gelcoat

- Rectangular shower base
- Integrated tiling flange
- Textured floor
- Center drain

SHOWER BASES



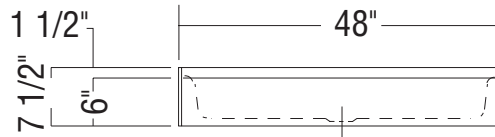
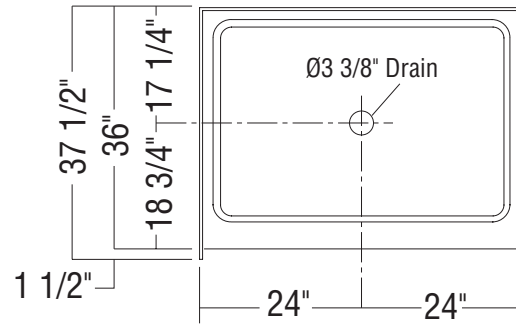
SHOWER MODEL

No	Model	Dimensions	Pkg	Approx. weight	Std Color(s)	Non-std Colors
141072-000-XXX	Rectangular shower base 141072-000-XXX Center drain Specify: Standard colors: White (002), Bone (004), Biscuit (007) Non-standard colors: Refer to color chart in this book.	48 X 36 X 6 in.	14.1 ft ³	46 lb	\$ 287	\$ 337

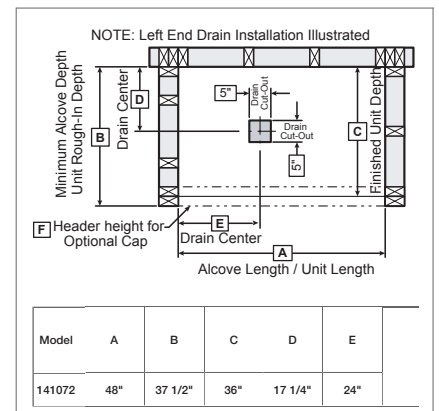
DOORS RECOMMENDED WITH THIS PRODUCT. REFER TO MAAX DOOR PRICE BOOK

No	Description
136454-XXX-XXX	Kleara® 2-panel 45 1/2 - 48 1/2 in.
105414-XXX-XXX	Session 2-panel 42 - 47 1/2 in.
105413-XXX-XXX	Polar 2-panel 42 - 47 1/2 in.
136671-XXX-XXX	Reveal 71 pivot door 44 - 47 x 71 1/2 in.
138996-XXX-XXX	Halo 2-panel 44 1/2 - 47 in. (1130 x 1194 mm)
136880-XXX-XXX	Reveal 75 pivot door 44 - 47 x 75 in. (1118-1194 x 1905 mm)
134571-XXX-XXX	Kameleon 8 mm 43 - 47 in.
134674-XXX-XXX	Kameleon Soft Close 8 mm 43 - 47 in.
134563-XXX-XXX	Kameleon 6 mm 43-47 in.
134663-XXX-XXX	Kameleon Soft Close 6 mm 43-47 in.

SP-3648 (cont'd)



All dimensions are approximate. Structure measurements must be verified against the unit to ensure proper fit.



SPS 3448

47 7/8" x 33 5/8" x 20 1/8" - Gelcoat

- Rectangular shower base • Tile adaptor required for door installation
- Integrated tiling flange
- Right or left integrated seat
- (3 3/8 in.) Above-the-Floor Rough available
- Textured floor • Center drain



SHOWER BASES

SHOWER MODEL

No	Model	Dimensions	Pkg	Approx. weight	Std Color(s)	Non-std Colors
142032-000-XXX	Rectangular shower base 142032-R-000-XXX Right seat, center drain 142032-L-000-XXX Left seat, center drain 142032-000-XXX No seat, center drain Specify: Standard colors: White (002), Bone (004), Biscuit (007) Non-standard colors: Refer to color chart in this book.	47 7/8 X 33 5/8 X 20 1/8 in.	24.6 ft ³	45 lb	\$ 475	\$ 525
142033-000-XXX	Rectangular shower base AFR 142033-R-000-XXX Above-the-floor rough, right seat, center drain 142033-L-000-XXX Above-the-floor rough, left seat, center drain 142033-000-XXX Above-the-floor rough, no seat, center drain Specify: Standard colors: White (002), Bone (004), Biscuit (007) Non-standard colors: Refer to color chart in this book.	47 7/8 X 33 5/8 X 22 1/8 in.	24.6 ft ³	45 lb	\$ 475	\$ 525

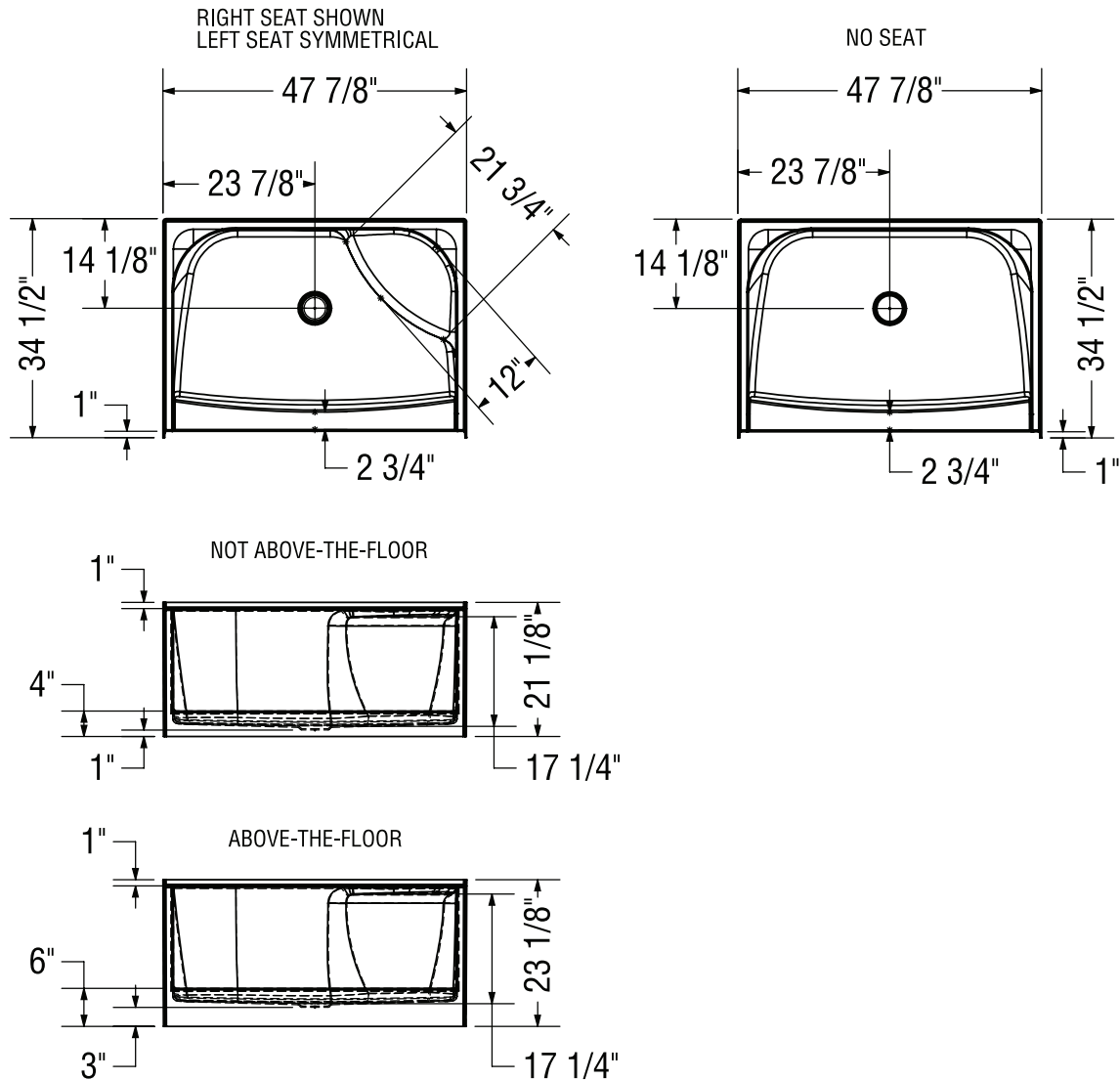
ACCESSORIES

No	Description	Approx. weight	List Price
10024636-XXX	Tile Adaptor (for base only installation) Available colors: White (002), Bone (004), Biscuit (007)	10 lb	\$ 117

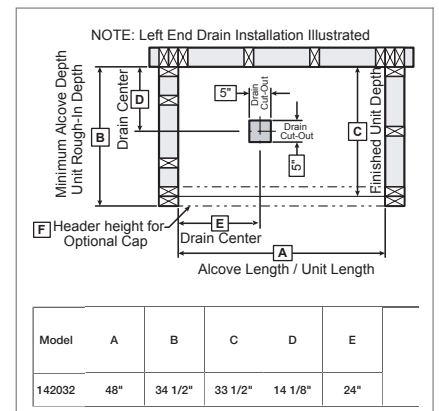
DOORS RECOMMENDED WITH THIS PRODUCT. REFER TO MAAK DOOR PRICE BOOK

No	Description
136454-XXX-XXX	Kleara® 2-panel 45 1/2 - 48 1/2 in.
105414-XXX-XXX	Session 2-panel 42 - 47 1/2 in.
105413-XXX-XXX	Polar 2-panel 42 - 47 1/2 in.
136671-XXX-XXX	Reveal 71 pivot door 44 - 47 x 71 1/2 in.
138996-XXX-XXX	Halo 2-panel 44 1/2 - 47 in. (1130 x 1194 mm)
136880-XXX-XXX	Reveal 75 pivot door 44 - 47 x 75 in. (1118-1194 x 1905 mm)
134571-XXX-XXX	Kameleon 8 mm 43 - 47 in.
134674-XXX-XXX	Kameleon Soft Close 8 mm 43 - 47 in.
134563-XXX-XXX	Kameleon 6 mm 43-47 in.
134663-XXX-XXX	Kameleon Soft Close 6 mm 43-47 in.

SPS 3448 (cont'd)



All dimensions are approximate. Structure measurements must be verified against the unit to ensure proper fit.



SP-3448

48" x 34" x 6" - Gelcoat

- Rectangular shower base
- Integrated tiling flange
- Textured floor
- Center drain

SHOWER BASES



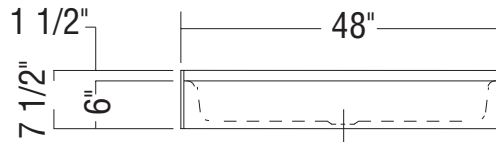
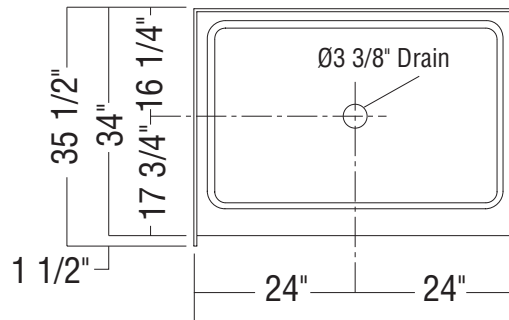
SHOWER MODEL

No	Model	Dimensions	Pkg	Approx. weight	Std Color(s)	Non-std Colors
141071-000-XXX	Rectangular shower base 141071-000-XXX Center drain Specify: Standard colors: White (002), Bone (004), Biscuit (007) Non-standard colors: Refer to color chart in this book.	48 X 34 X 6 in.	14.1 ft ³	42 lb	\$ 280	\$ 330

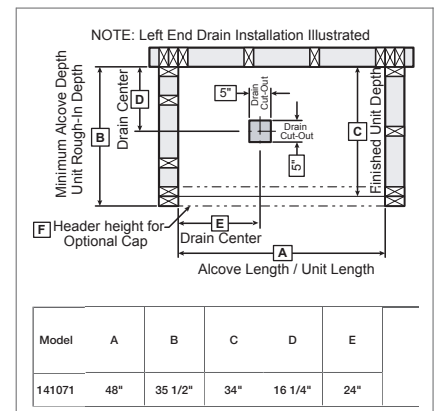
DOORS RECOMMENDED WITH THIS PRODUCT. REFER TO MAAX DOOR PRICE BOOK

No	Description
136454-XXX-XXX	Kleara® 2-panel 45 1/2 - 48 1/2 in.
105414-XXX-XXX	Session 2-panel 42 - 47 1/2 in.
105413-XXX-XXX	Polar 2-panel 42 - 47 1/2 in.
136671-XXX-XXX	Reveal 71 pivot door 44 - 47 x 71 1/2 in.
138996-XXX-XXX	Halo 2-panel 44 1/2 - 47 in. (1130 x 1194 mm)
136880-XXX-XXX	Reveal 75 pivot door 44 - 47 x 75 in. (1118-1194 x 1905 mm)
134571-XXX-XXX	Kameleon 8 mm 43 - 47 in.
134674-XXX-XXX	Kameleon Soft Close 8 mm 43 - 47 in.
134563-XXX-XXX	Kameleon 6 mm 43-47 in.
134663-XXX-XXX	Kameleon Soft Close 6 mm 43-47 in.

SP-3448 (cont'd)



All dimensions are approximate. Structure measurements must be verified against the unit to ensure proper fit.



SP-3248

48" x 32" x 6" - Gelcoat

- Rectangular shower base
- Integrated tiling flange
- Textured floor
- Center drain

SHOWER BASES



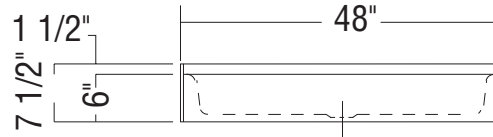
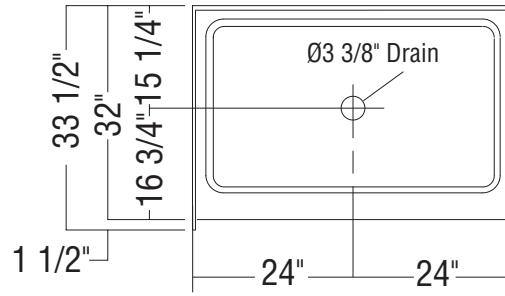
SHOWER MODEL

No	Model	Dimensions	Pkg	Approx. weight	Std Color(s)	Non-std Colors
141070-000-XXX	Rectangular shower base 141070-000-XXX Center drain Specify: Standard colors: White (002), Bone (004), Biscuit (007) Non-standard colors: Refer to color chart in this book.	48 X 32 X 6 in.	14.1 ft ³	40 lb	\$ 272	\$ 322

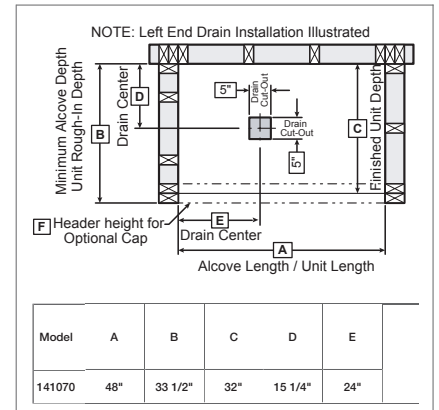
DOORS RECOMMENDED WITH THIS PRODUCT. REFER TO MAAX DOOR PRICE BOOK

No	Description
136454-XXX-XXX	Kleara® 2-panel 45 1/2 - 48 1/2 in.
105414-XXX-XXX	Session 2-panel 42 - 47 1/2 in.
105413-XXX-XXX	Polar 2-panel 42 - 47 1/2 in.
136671-XXX-XXX	Reveal 71 pivot door 44 - 47 x 71 1/2 in.
138996-XXX-XXX	Halo 2-panel 44 1/2 - 47 in. (1130 x 1194 mm)
136880-XXX-XXX	Reveal 75 pivot door 44 - 47 x 75 in. (1118-1194 x 1905 mm)
134571-XXX-XXX	Kameleon 8 mm 43 - 47 in.
134674-XXX-XXX	Kameleon Soft Close 8 mm 43 - 47 in.
134563-XXX-XXX	Kameleon 6 mm 43-47 in.
134663-XXX-XXX	Kameleon Soft Close 6 mm 43-47 in.

SP-3248 (cont'd)



All dimensions are approximate. Structure measurements must be verified against the unit to ensure proper fit.



SP-3442

42" x 34" x 6" - Gelcoat

- Rectangular shower base
- Integrated tiling flange
- Textured floor
- Center drain

SHOWER BASES



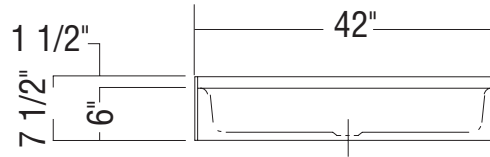
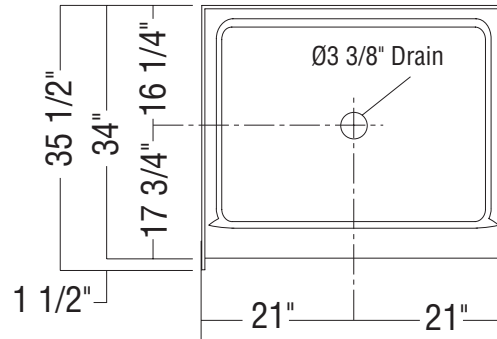
SHOWER MODEL

No	Model	Dimensions	Pkg	Approx. weight	Std Color(s)	Non-std Colors
141069-000-XXX	Rectangular shower base 141069-000-XXX Center drain Specify: Standard colors: White (002), Bone (004), Biscuit (007) Non-standard colors: Refer to color chart in this book.	42 X 34 X 6 in.	5.9 ft ³	42 lb	\$ 256	\$ 306

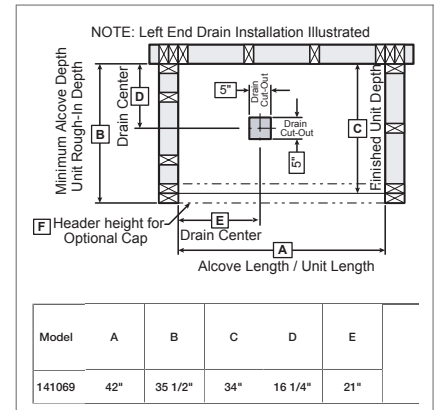
DOORS RECOMMENDED WITH THIS PRODUCT. REFER TO MAAX DOOR PRICE BOOK

No	Description
136454-XXX-XXX	Kleara® 2-panel 45 1/2 - 48 1/2 in.
105414-XXX-XXX	Session 2-panel 42 - 47 1/2 in.
105413-XXX-XXX	Polar 2-panel 42 - 47 1/2 in.
136671-XXX-XXX	Reveal 71 pivot door 44 - 47 x 71 1/2 in.
138996-XXX-XXX	Halo 2-panel 44 1/2 - 47 in. (1130 x 1194 mm)
136880-XXX-XXX	Reveal 75 pivot door 44 - 47 x 75 in. (1118-1194 x 1905 mm)
134571-XXX-XXX	Kameleon 8 mm 43 - 47 in.
134674-XXX-XXX	Kameleon Soft Close 8 mm 43 - 47 in.
134563-XXX-XXX	Kameleon 6 mm 43-47 in.
134663-XXX-XXX	Kameleon Soft Close 6 mm 43-47 in.

SP-3442 (cont'd)



All dimensions are approximate. Structure measurements must be verified against the unit to ensure proper fit.



SPL-3950

50 1/2" x 39 3/4" x 3"

- Rectangular gelcoat shower base
- 3" Low threshold base
- Integrated tiling flange
- Smooth floor finish
- Superior base strength with balsa wood reinforcement

SHOWER BASES



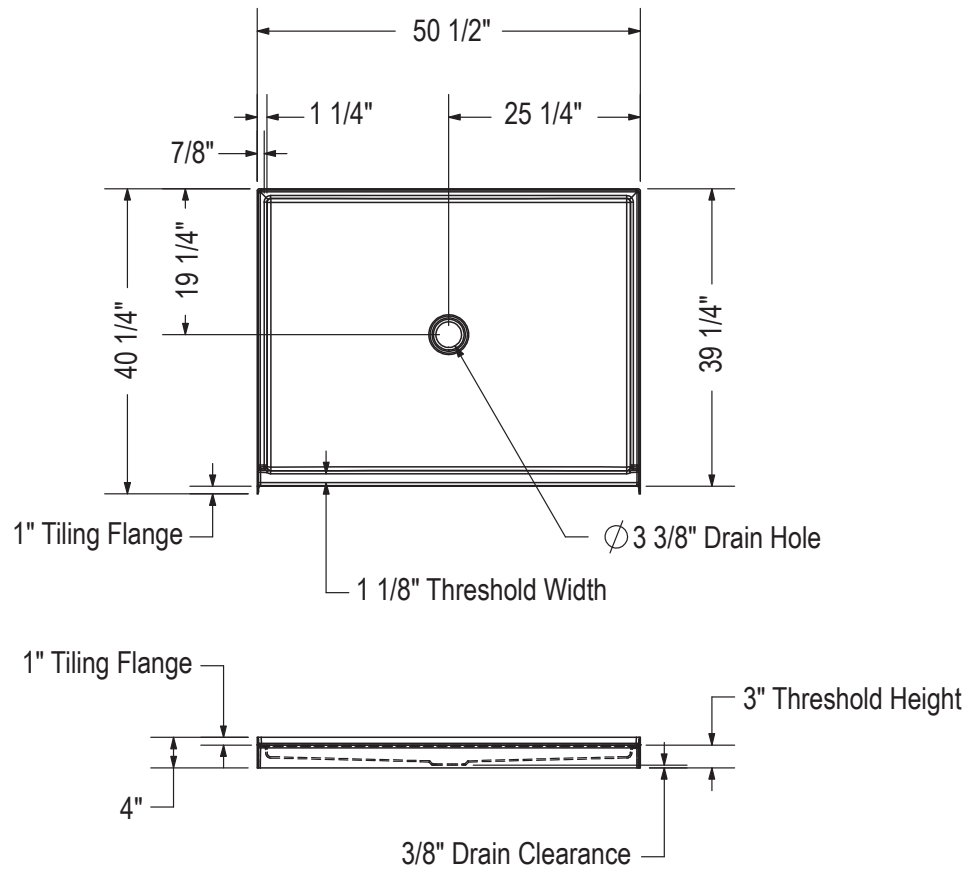
SHOWER MODEL

No	Model	Dimensions	Pkg	Approx. weight	Std Color(s)	Non-std Colors
141365-000	Rectangular shower base 141365-000-XXX , Center drain Specify: Standard colors: White (002), Bone (004), Biscuit (007) Non-standard colors: Refer to color chart in this book.	50 1/2 X 39 3/4 X 3 in.	7.6 ft ³	46 lb	\$ 509	\$ 559

DOORS RECOMMENDED WITH THIS PRODUCT. REFER TO MAAX DOOR PRICE BOOK

No	Description
136455-XXX-XXX	Kleara® 2-panel 48 1/2 - 51 1/2 in.

SPL-3950 (cont'd)



All dimensions are approximate. Structure measurements must be verified against the unit to ensure proper fit.

SPL 3636

35 7/8" x 36" x 3 3/8" - Gelcoat

- 3 3/8" Low threshold base
- (4 1/4") Above-the-Floor Rough available
- Integrated tiling flange
- Textured floor
- Center drain



SHOWER BASES

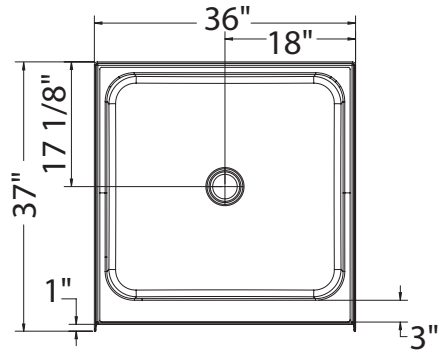
SHOWER MODEL

No	Model	Dimensions	Pkg	Approx. weight	Std Color(s)	Non-std Colors
142026-000-XXX	Square shower base 142026-000-XXX , Center drain Specify: Standard colors: White (002), Bone (004), Biscuit (007) Non-standard colors: Refer to color chart in this book.	35 7/8 X 36 X 3 3/8 in.	7.4 ft ³	35 lb	\$ 271	\$ 321
142027-000-XXX	Square shower base AFR 142027-000-XXX , Above-the-floor rough, center drain Specify: Standard colors: White (002), Bone (004), Biscuit (007) Non-standard colors: Refer to color chart in this book.	35 7/8 X 36 X 6 7/8 in.	7.4 ft ³	35 lb	\$ 271	\$ 321

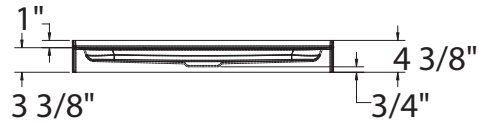
DOORS RECOMMENDED WITH THIS PRODUCT. REFER TO MAAK DOOR PRICE BOOK

No	Description
136450-XXX-XXX	Kleara® 2-panel 33 1/2 - 36 1/2 in.
136435-XXX-XXX	Pivolok Deluxe 1-panel 32 1/2 - 37 in.
136656-XXX-XXX	Pivolok 1-panel 33 - 34 3/4 in.
105418-XXX-XXX	Madono 1-panel 34 1/2 - 36 1/2 in.
105486-XXX-XXX	Alexa® 1-panel 34 1/2 - 36 1/2 in.
136676-XXX-XXX	Reveal 71 pivot door 32 1/2 - 35 1/2 x 71 1/2 in.
136678-XXX-XXX	Reveal 75 pivot door 32 1/2 - 35 1/2 x 75 in.

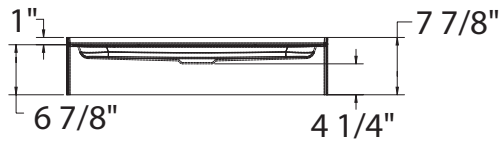
SPL 3636 (cont'd)



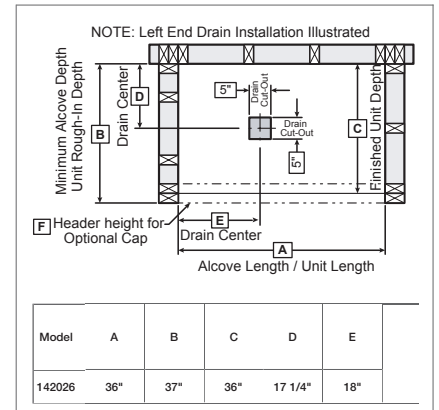
NOT ABOVE-THE-FLOOR



ABOVE-THE-FLOOR



All dimensions are approximate. Structure measurements must be verified against the unit to ensure proper fit.



SPCN-3636

36 1/2" x 36 1/2" x 6" - Gelcoat

- Neo-round shower base
- Integrated tiling flange
- Textured floor
- Center drain

SHOWER BASES



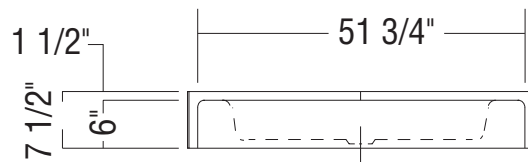
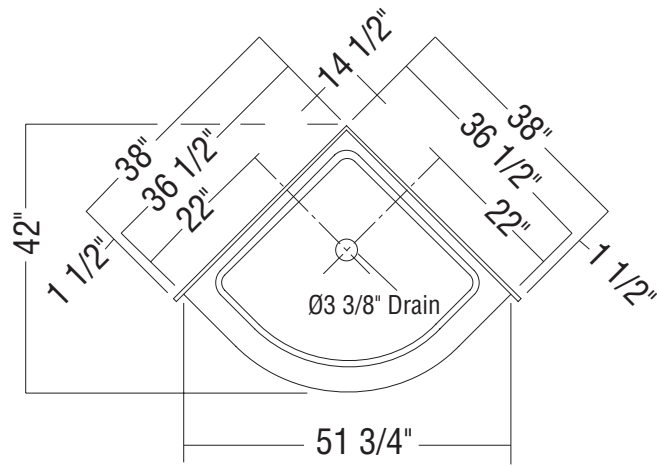
SHOWER MODEL

No	Model	Dimensions	Pkg	Approx. weight	Std Color(s)	Non-std Colors
141076-000-XXX	Base 141076-000-XXX Center drain Specify: Standard colors: White (002), Bone (004), Biscuit (007) Non-standard colors: Refer to color chart in this book.	36 1/2 X 36 1/2 X 6 in.	5.5 ft ³	35 lb	\$ 270	\$ 320

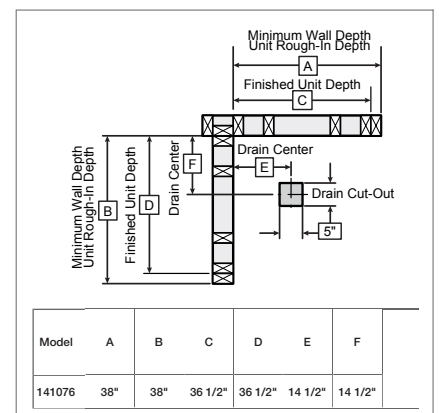
DOORS RECOMMENDED WITH THIS PRODUCT. REFER TO MAAX DOOR PRICE BOOK

No	Description
137593-XXX-XXX	Talen® neo-round 36 X 36 in.
137210-XXX-XXX	Intuition neo-round 36 X 36 in.

SPCN-3636 (cont'd)



All dimensions are approximate. Structure measurements must be verified against the unit to ensure proper fit.



SPL 3232

31 7/8" x 32" x 3 3/8" - Gelcoat

- 3 3/8" Low threshold base
- (4 1/4") Above-the-Floor Rough available
- Integrated tiling flange
- Textured floor
- Center drain



SHOWER BASES

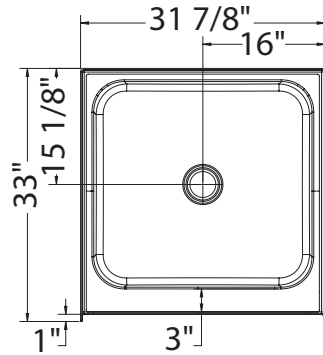
SHOWER MODEL

No	Model	Dimensions	Pkg	Approx. weight	Std Color(s)	Non-std Colors
142020-000-XXX	Square shower base 142020-000-XXX , Center drain Specify: Standard colors: White (002), Bone (004), Biscuit (007) Non-standard colors: Refer to color chart in this book.	31 7/8 X 32 X 3 3/8 in.	6.9 ft ³	32 lb	\$ 236	\$ 286
142021-000-XXX	Square shower base AFR 142021-000-XXX , Above-the-floor rough, center drain Specify: Standard colors: White (002), Bone (004), Biscuit (007) Non-standard colors: Refer to color chart in this book.	31 7/8 X 32 X 6 7/8 in.	6.9 ft ³	32 lb	\$ 236	\$ 286

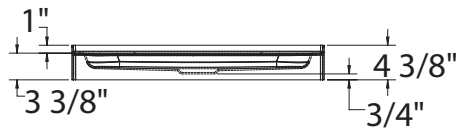
DOORS RECOMMENDED WITH THIS PRODUCT. REFER TO MAAK DOOR PRICE BOOK

No	Description
136448-XXX-XXX	Kleara® 1-panel 29 1/2 - 31 1/2 in.
136425-XXX-XXX	Pivolok Deluxe 1-panel 28 - 32 1/2 in.
136645-XXX-XXX	Pivolok 1-panel 29 - 30 3/4 in.
105416-XXX-XXX	Madono 1-panel 28 1/2 - 30 1/2 in.
105484-XXX-XXX	Alexa® 1-panel 28 1/2 - 30 1/2 in.

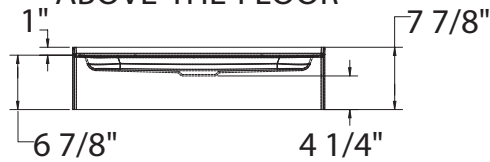
SPL 3232 (cont'd)



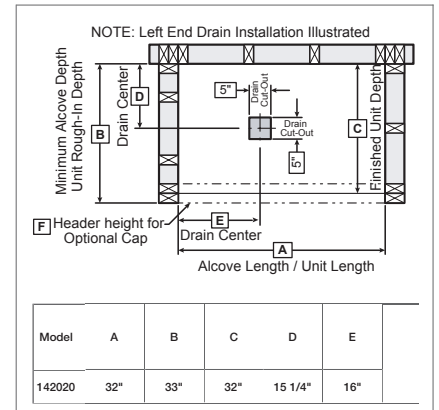
NOT ABOVE-THE-FLOOR



ABOVE-THE-FLOOR



All dimensions are approximate. Structure measurements must be verified against the unit to ensure proper fit.

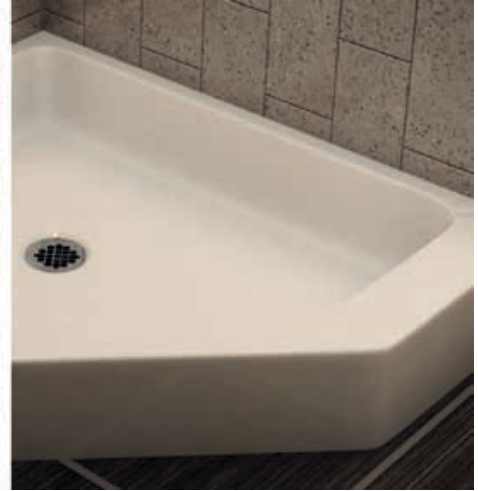


SP-NAS

36 1/2" x 36 1/2" x 6" - Gelcoat

- Neo-angle shower base
- Integrated tiling flange
- Textured floor
- Center drain

SHOWER BASES



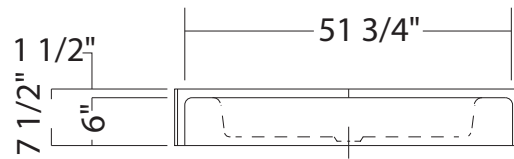
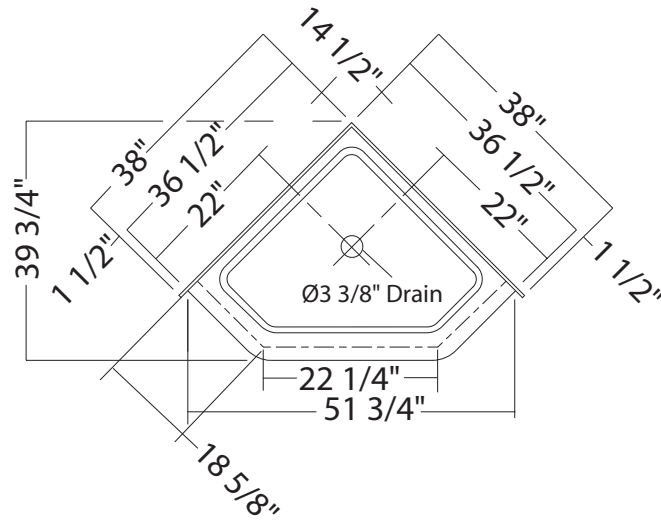
SHOWER MODEL

No	Model	Dimensions	Pkg	Approx. weight	Std Color(s)	Non-std Colors
141075-000-XXX	Base 141075-000-XXX Center drain Specify: Standard colors: White (002), Bone (004), Biscuit (007) Non-standard colors: Refer to color chart in this book.	36 1/2 X 36 1/2 X 6 in.	5.5 ft ³	32 lb	\$ 270	\$ 320

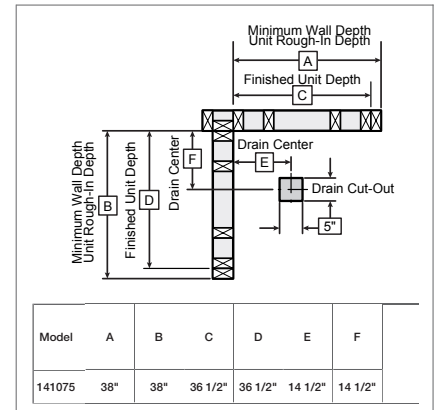
DOORS RECOMMENDED WITH THIS PRODUCT. REFER TO MAAX DOOR PRICE BOOK

No	Description
137610-XXX-XXX	Illusion neo-angle 38 X 38 in.
137250-XXX-XXX	Intuition neo-angle 38 X 38 in.

SP-NAS (cont'd)



All dimensions are approximate. Structure measurements must be verified against the unit to ensure proper fit.




Recommended: MAAX® SHOWER DOORS WITH AKER SHOWER BASES.


Why choose MAAX® shower doors:

- ✓ Worry-Free Experience
- ✓ Lasting Elegance
- ✓ 10-year warranty


KEY FEATURES AT A GLANCE



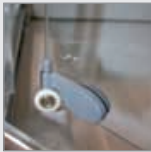
Soft Close
The Soft Close by MAAX feature eliminates accidental slams and pinched fingers by easing the door shut no matter how hard you slam it.




Glass Thickness
The thickness of the glass affects the overall look, feel, stability and price of a shower door. MAAX shower doors are made of first quality tempered glass and come in a variety of thicknesses: 1/4" (6 mm), 5/16" (8 mm) and 3/8" (10 mm). Choose the right thickness for the right look at the right price.





Clip and Push System
Many MAAX shower doors are equipped with easy to unclip bottom door rollers to simplify maintenance. Simply unclip, slightly push the door panel and clean away!






Reversible Header
Selected MAAX slider door headers are reversible which allow you to choose between two designs. Header styles may vary per door model.














EZ Kleen® Track System
MAAX doors are easy to clean. The rollers are designed to be removed easily, which makes it simple to clean. On specified alcove sliding doors, the EZ Kleen® track system is offered.



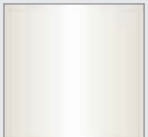






COLOR CHART

Panel Finishes (Tempered Glass)

 CLEAR (900)	 DESIGN #49 (949)	 DESIGN #53 (953)
 EFFERVESCE	 FROST (986)	 HAMMER (965)
 LINEN	 MISTELITE (981)	 RAINDROP (970)

Note: Not all panel finishes are available for all door models and sizes.

Aluminum Frame Finishes

 WHITE (001)-(003)	 CHROME (084)	 NICKEL (105)	 BRUSHED NICKEL (305)
 MAT SILVER (170)	 SATIN NICKEL (171)	 DARK BRONZE (172)	

Note: Not all aluminum frame are available for all door models and sizes.




For more information, please consult **MAAX** Shower Doors Price List.



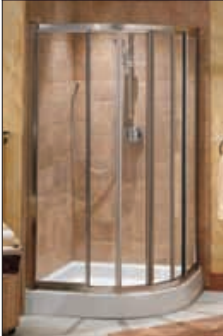


MAAX[®] ALCOVE SHOWER DOORS WITH AKER SHOWER BASES



<p>Alexa 1-Panel</p> 	<p>10 3/8 IN.</p> <p>24 1/2-26 1/2 x 67 IN. 28 1/2-30 1/2 x 67 IN. 31 1/2-33 1/2 x 67 IN. 34 1/2-36 1/2 x 67 IN.</p> <p>Door Opening 1-PANEL PIVOT</p> <p>Frame Finish (084)</p> <p>Panel Finish CLEAR (900)</p>	<p>Halo 2-Panel</p> <p>NEW</p> 	<p>8 5/16 IN.</p> <p>44 1/2 - 47 X 78 3/4 IN 56 1/2 - 59 X 78 3/4 IN</p> <p>Door Opening 2-PANEL SLIDER</p> <p>Frame Finish (084)</p> <p>Panel Finish CLEAR (900)</p>	<p>Kameleon 2-Panel</p> <p>NEW</p> 	<p>6 1/4 IN.</p> <p>8 5/16 IN.</p> <p>SC R</p> <p>40-44 X 71 IN 51-55 X 71 IN 43-47 X 71 IN 55-59 X 71 IN</p> <p>Door Opening 2-PANEL SLIDER</p> <p>Frame Finish (084) (305) (172)</p> <p>Panel Finish CLEAR (900) MISTELITE (981) LINEN (988) EFFERVESCENCE (989)</p>
<p>Kleara 1-Panel</p> 	<p>6 1/4 IN.</p> <p>23 1/2-25 1/2 x 69 IN. 25 1/2-27 1/2 x 69 IN. 27 1/2-29 1/2 x 69 IN. 29 1/2-31 1/2 x 69 IN. 31 1/2-33 1/2 x 69 IN.</p> <p>Door Opening 1-PANEL PIVOT</p> <p>Frame Finish (084) (105)</p> <p>Panel Finish CLEAR (900) MISTELITE (981)</p>	<p>Kleara 2-Panel</p> 	<p>6 1/4 IN.</p> <p>33 1/2-36 1/2 x 69 IN. 36 1/2-39 1/2 x 69 IN. 39 1/2-42 1/2 x 69 IN. 42 1/2-45 1/2 x 69 IN. 45 1/2-48 1/2 x 69 IN. 48 1/2-51 1/2 x 69 IN. 51 1/2-54 1/2 x 69 IN. 54 1/2-57 1/2 x 69 IN. 57 1/2-60 1/2 x 69 IN.</p> <p>Door Opening 2-PANEL PIVOT</p> <p>Frame Finish (084) (105)</p> <p>Panel Finish CLEAR (900) MISTELITE (981)</p>	<p>Madono 1-Panel</p> 	<p>6 1/4 IN.</p> <p>24 1/2-26 1/2 x 67 IN. 28 1/2-30 1/2 x 67 IN. 31 1/2-33 1/2 x 67 IN. 34 1/2-36 1/2 x 67 IN.</p> <p>Door Opening 1-PANEL PIVOT</p> <p>Frame Finish (084)</p> <p>Panel Finish CLEAR (900)</p>
<p>Pivolok 1-Panel</p> 	<p>19-20 3/4 x 64 1/2 IN. 21-22 3/4 x 64 1/2 IN. 23-24 3/4 x 64 1/2 IN. 25-26 3/4 x 64 1/2 IN. 27-28 3/4 x 64 1/2 IN. 29-30 3/4 x 64 1/2 IN. 31-32 3/4 x 64 1/2 IN. 33-34 3/4 x 64 1/2 IN.</p> <p>Door Opening 1-PANEL PIVOT</p> <p>Frame Finish (001) (084)</p> <p>Panel Finish CLEAR (900) DESIGN #49 (949) RAINDROP (970)</p>	<p>Pivolok Deluxe 1-Panel</p> 	<p>28-32 1/2 x 64 1/2 IN. 32 1/2-37 x 64 1/2 IN.</p> <p>Door Opening 1-PANEL PIVOT</p> <p>Frame Finish (001) (084)</p> <p>Panel Finish CLEAR (900) DESIGN #49 (949) HAMMER (965)</p>	<p>Polar 2-Panel</p> 	<p>EZ</p> <p>42-47 1/2 x 68 IN. 54-59 1/2 x 68 IN.</p> <p>Door Opening 2-PANEL SLIDER</p> <p>Frame Finish (084) (171)</p> <p>Panel Finish RAINDROP (970)</p>
<p>Reveal 71 2-Panel</p> <p>NEW</p> 	<p>8 5/16 IN.</p> <p>32 1/2 - 35 1/2 x 71 1/2 IN. 38 - 41 x 71 1/2 IN. 41 1/2 - 44 1/2 x 71 1/2 IN. 44 - 47 x 71 1/2 IN. 51 1/2 - 54 1/2 x 71 1/2 IN. 56 - 59 x 71 1/2 IN.</p> <p>Door Opening 2-PANEL PIVOT</p> <p>Frame Finish (084)</p> <p>Panel Finish CLEAR (900)</p>	<p>Reveal 75 2-Panel</p> <p>NEW</p> 	<p>8 5/16 IN.</p> <p>32 1/2 - 35 1/2 x 75 IN. 38 - 41 x 75 IN. 44 - 47 x 75 IN. 56 - 59 x 75 IN.</p> <p>Door Opening 2-PANEL PIVOT</p> <p>Frame Finish (084)</p> <p>Panel Finish CLEAR (900)</p>	<p>Session 2-Panel</p> 	<p>6 1/4 IN.</p> <p>R EZ</p> <p>42-47 1/2 x 71 IN. 54-59 1/2 x 71 IN.</p> <p>Door Opening 2-PANEL SLIDER</p> <p>Frame Finish (084)</p> <p>Panel Finish CLEAR (900)</p>


MAAX[®] ALCOVE SHOWER DOORS WITH AKER SHOWER BASES (cont'd)




	Triple Plus 3-Panel 
	36 x 69 IN. 48 x 69 IN. 40 x 66 IN. 52 1/2 x 66 IN. 42 1/2 x 66 IN. 54 1/2 x 66 IN. 43 x 69 58 x 66 IN. 44 1/2 x 66 IN. 59 1/2 x 71 IN. 48 x 66 IN.
Door Opening 3-PANEL SLIDER	
Frame Finish (001) (084) (105)	
	
Panel Finish CLEAR (900) HAMMER (965) RAINDROP (970)	


MAAX[®] CORNER SHOWER DOORS WITH AKER SHOWER BASES

	Contoura Neo-Round 
	32 x 32 x 70 IN. 36 x 36 x 70 IN. 40 x 40 x 70 IN.
Door Opening NEO-ROUND SLIDER	
Frame Finish (001) (084) (105)	
	
Panel Finish CLEAR (900) RAINDROP (970)	

	Illusion Neo-Angle
	36 x 36 x 70 IN. 38 x 38 x 70 IN. 40 x 40 x 70 IN. 42 x 42 x 70 IN.
Door Opening NEO-ANGLE SLIDER	
Frame Finish (001) (084)	
	
Panel Finish CLEAR (900) RAINDROP (970)	

	Intuition Neo-Angle 
	36 x 36 x 70 IN. 38 x 38 x 70 IN. 40 x 40 x 70 IN.
Door Opening NEO-ANGLE SLIDER	
Frame Finish (084) (105)	
	
Panel Finish CLEAR (900) MISTELITE (981)	

	Intuition Neo-Round 
	32 x 32 x 70 IN. 36 x 36 x 70 IN. 40 x 40 x 70 IN. 42 x 42 x 70 IN.
Door Opening NEO-ROUND SLIDER	
Frame Finish (084) (105)	
	
Panel Finish CLEAR (900) MISTELITE (981)	

	Silhouette Plus Neo-Angle
	36 x 36 x 70 IN. 38 x 38 x 70 IN. 40 x 40 x 70 IN.
Door Opening NEO-ANGLE PIVOT	
Frame Finish (084)	
	
Panel Finish CLEAR (900) DESIGN #49 (949) HAMMER (965) RAINDROP (970)	

	Talen Neo-Round 
	36 x 36 x 70 IN. 40 x 40 x 70 IN. 42 x 42 x 70 IN.
Door Opening NEO-ROUND SLIDER	
Frame Finish (084) (105)	
	
Panel Finish CLEAR (900) FROST (986)	

For more information, please consult **MAAX[®]** Shower Doors Price List.



AKER'S NEW OUTLOOK *plus* SERIES SIMPLIFIES LIFE FOR EVERYONE.



ACCESSIBILITY CODE COMPLIANT SERIES

Our code compliant models meet **major accessibility building codes**, including ADA and ANSI when fully equipped and installed according to guidelines. These showers and tub showers provide **accessibility** and **optimal safety** today and tomorrow. For example, each unit has reinforced walls, in accordance with the accessibility requirements of the Fair Housing Act, to offer versatility in grab bar and seat placement when not factory installed. Code-specific option packages for seats and grab bars make choosing the right unit a snap.



GENERATION+ SERIES

Our **GENERATION+** models appeal to a broad base of ages and abilities to allow **graceful adaptation through the years** – from preening parent to active adult. We apply our design innovation to universal **user-friendliness and comfort** for ultimate peace of mind. Stylish accessories and built-in features let you adapt for lifestyles from cradle to cane.





ACCESSIBILITY CODE COMPLIANT SERIES



ACCESSIBILITY CODE COMPLIANT SERIES

OPS-3636 - COMPLETE ANSI PACKAGE SHOWER





Choosing the right Outlook *plus* code compliant model, regardless of project type, is almost as easy as using one because AKER wants you to **save time, money and hassle.**

Our base models come in industry-standard dimensions and popular styles. All feature **reinforced walls, in accordance with the accessibility requirements of the Fair Housing Act**, making future modifications simple and sound. When you choose a fully compliant package, rest assured it meets the current major building code of your choosing and features the best options available. Finally, we **simplified selections** with unique, instinctive ordering codes to minimize confusion.

Code compliance: ANSI-ICC A117.1, ADA Standards for Accessible Design, 521 CMR (Massachusetts), FHA, CSA B45.5-11 / IAPMO Z124-2011, HUD UM 73a, ASTM F-462.

ORDERING IS THEN AS EASY AS 1-2-3

- 1 Select the model according to:
Size / Style / Skirt height
- 2 Select a configuration package:
 - Base model
 - Partial packages (grab bar only or with seat)
 - Fully compliant units
- 3 If desired, select additional options and accessories.

AKER's Outlook *plus* Series is easy for everyone – our business partners and our users – because it's **Built to Perform.**



Customize any AKER Outlook *plus* unit to best suit your desire for comfort and security with our [comprehensive selection of code compliant packages, options and accessories](#). Options are factory-installed on the units; whereas accessories are sold separately and therefore, can be ordered after the product is installed. Consult product pages for the available options and accessories for each of our products.

PACKAGE COMPONENTS

OPTIONS & ACCESSORIES

<p>Grab Bars</p>  <p>AKER's Outlook <i>plus</i> textured stainless steel grab bars feature an easy to clean smooth surface. Straight¹, L-shaped² or U-shaped³, in multiple dimensions, there is one for every need. All grab bars are 1 1/4" in diameter, securely bolted through the wall, and are designed and tested to withstand up to 300 lb of pressure as per major accessibility building codes.</p>	<p>Curtain Rod</p>  <p>Chrome curtain rod is factory installed. A white vinyl shower curtain is sold separately.</p>
<p>Phenolic Fold-Up Shower Seat</p>  <p>AKER's Outlook <i>plus</i> L-shaped fold-up seat is made with stainless steel frames and white Phenolic seat tops. Phenolic is a high quality material that is smooth and non-porous, easy to clean and does not retain bacteria. This fold-up seat virtually disappears in the shower when you don't need it, but is accessible when you do. All seats are designed and tested to withstand 300 lb load capacity.</p>	<p>Soap Dish</p>  <p>Functional recessed chrome soap dish for added storage space.</p>
<p>Phenolic Removable Tub Shower Seat</p>  <p>AKER's Outlook <i>plus</i> rectangular shaped removable seat is made with stainless steel frames and white Phenolic seat tops. Phenolic is a high quality material that is smooth and non-porous, easy to clean and does not retain bacteria. The seat can be placed on the tub for safe and secure transfers or completely removed when not required to optimize space. All seats are designed and tested to withstand 300 lb load capacity.</p>	<p>Shower Curtain</p>  <p>White anti-bacterial vinyl curtain with stainless steel hooks.</p>
<p>Faucet Kit</p>  <p>Optimize your shower experience with the Outlook <i>plus</i> Code Compliant faucet kit available in chrome finish. The kit includes a pressure balance mixing valve, a hand-held shower, a slide bar and a 60" flexible hose.</p>	<p>Shower Drain</p>  <p>Functional solid brass shower drain with chrome stainless steel grid. Quick caulk-seal feature.</p>



INSTALLS EASILY ANY WAY YOU CHOOSE

Outlook *plus* compliant series installs easily, cleanly and securely in any situation. Choose our standard 1 1/8 inch skirt with a built-in flange or our 3/4-inch reduced skirt for recessed in-floor or on-floor installation.

DAM PROFILE (1 1/8" Skirt shown)

Whichever unit or method you choose, code compliance comes easily. Simply ensure the top of finished floor meets the start of the sloped exterior threshold.

Once properly installed, the 1/2-inch interior and exterior beveled threshold edges of our Outlook *plus* units allow walk-in or roll-in shower access without worry. It also prevents water seepage.

ON-FLOOR INSTALLATION

Codes require max. 1/2" level change

1 1/8"

Drain

Finished floor Subfloor

OUR 1 1/8 INCH SKIRT

Simplify your work with this unit added height for recessed in-floor or on-floor installation. A front flange provides a strong and sturdy installation that prevents cracking or bowing of the dam.

RECESSED IN-FLOOR INSTALLATION

Codes require max. 1/2" level change

1 1/8"

Drain

Finished floor Subfloor

ON-FLOOR INSTALLATION

Codes require max. 1/2" level change

3/4"

Drain

RS REDUCED SKIRT

Finished floor Subfloor

OUR 3/4 INCH REDUCED SKIRT

Perfect for common 3/4-inch finished floor applications. A front flange provides a strong and sturdy installation that prevents cracking or bowing of the dam.

ACCESS RAMP

Same height

Drain

1 1/8 Skirt shown

Ramp Subfloor

ACCESS RAMP

A code-compliant access ramp, when installed according to its manufacturer's guidelines, can also be used with either product or installation methods.

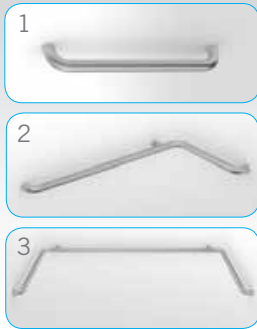


Customize any AKER Outlook *plus* unit to best suit your desire for comfort and security with our [comprehensive selection of code compliant packages, options and accessories](#). Options are factory-installed on the units; whereas accessories are sold separately and therefore, can be ordered after the product is installed. Consult product pages for the available options and accessories for each of our products.

PACKAGE COMPONENTS

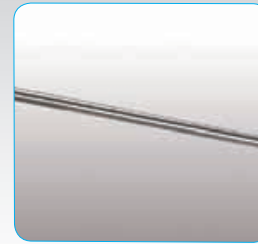
OPTIONS & ACCESSORIES

Grab Bars



AKER's Outlook *plus* textured stainless steel grab bars feature an easy to clean smooth surface. Straight¹, L-shaped² or U-shaped³, in multiple dimensions, there is one for every need. All grab bars are 1 1/4" in diameter, securely bolted through the wall, and are designed and tested to withstand up to **300 lb** of pressure as per major accessibility building codes.

Curtain Rod



Chrome curtain rod is factory installed. A white vinyl shower curtain is sold separately.

Phenolic Fold-Up Shower Seat



AKER's Outlook *plus* L-shaped fold-up seat is made with stainless steel frames and white Phenolic seat tops. Phenolic is a high quality material that is smooth and non-porous, easy to clean and does not retain bacteria. This fold-up seat virtually disappears in the shower when you don't need it, but is accessible when you do. All seats are designed and tested to withstand **300 lb** load capacity.

Soap Dish



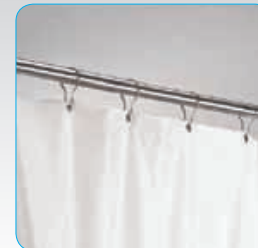
Functional recessed chrome soap dish for added storage space.

Phenolic Removable Tub Shower Seat



AKER's Outlook *plus* rectangular shaped removable seat is made with stainless steel frames and white Phenolic seat tops. Phenolic is a high quality material that is smooth and non-porous, easy to clean and does not retain bacteria. The seat can be placed on the tub for safe and secure transfers or completely removed when not required to optimize space. All seats are designed and tested to withstand **300 lb** load capacity.

Shower Curtain



White anti-bacterial vinyl curtain with stainless steel hooks.

Faucet Kit



Optimize your shower experience with the Outlook *plus* Code Compliant faucet kit available in chrome finish. The kit includes a pressure balance mixing valve, a hand-held shower, a slide bar and a 60" flexible hose.

Shower Drain



Functional solid brass shower drain with chrome stainless steel grid. Quick caulk-seal feature.

REFERENCE GUIDE : CODE COMPLIANT SERIES

CODE COMPLIANT TUB SHOWER UNIT

OPTS-6032	p. 346
	
	57 x 32 x 70

CODE COMPLIANT SHOWER UNITS

OPS-6036-RS	p. 350
	
	60 x 36 x 77

OPS-6036	p. 353
	
	60 x 36 x 77

OPS-6030-RS	p. 356
	
	60 x 30 x 77

OPS-6030	p. 359
	
	60 x 30 x 77

OPS-3636-RS	p. 362
	
	36 x 36 x 77

OPS-3636	p. 366
	
	36 x 36 x 77

SUMMARY : CODE COMPLIANT SERIES

● = NEW PRODUCT

NAME	MODEL	EXTERNAL DIMENSION	EXTERNAL DIMENSIONS	SKIRT / APRON	THRESHOLD	MATERIAL	SYSTEM	# OF PIECES	DRAIN LOCATION	PARTIALLY AND FULLY COMPLIANT PACKAGES					SOAP DISH	CURTAIN ROD	SHOWER CURTAIN	SHOWER DRAIN	PAGE
										ADA COMPLIANT PACKAGES	ANSI COMPLIANT PACKAGES	MASSACHUSETTS COMPLIANT PACKAGES	GRAB BAR PACKAGES	GRAB BAR AND SEAT PACKAGES					
CODE COMPLIANT TUB SHOWER UNIT																			
● OPTS-6032	141309	60 x 34 x 75	57 x 32 x 70	17 3/4"	N/A	Gelcoat	1P	L, R		●	●	●	●	●	Opt.	Opt.	Acc.	N/A	346
CODE COMPLIANT SHOWER UNITS																			
● OPS-6036-RS	141336	63 x 39 x 78	60 x 36 x 77	3/4"	1/2"	Gelcoat	1P	Center		●	●	●	●	●	Opt.	Opt.	Acc.	Acc.	350
● OPS-6036	141294	63 x 39 x 79	60 x 36 x 77	1 1/8"	1/2"	Gelcoat	1P	Center		●	●	●	●	●	Opt.	Opt.	Acc.	Acc.	353
● OPS-6030-RS	141329	63 x 33 x 78	60 x 30 x 77	3/4"	1/2"	Gelcoat	1P	Center		●	●		●	●	Opt.	Opt.	Acc.	Acc.	356
● OPS-6030	141287	63 x 33 x 79	60 x 30 x 77	1 1/8"	1/2"	Gelcoat	1P	Center		●	●		●	●	Opt.	Opt.	Acc.	Acc.	359
● OPS-3636-RS	141321	39 x 39 x 78	36 x 36 x 77	3/4"	1/2"	Gelcoat	1P	Center		●	●	●	●	●	Opt.	Opt.	Acc.	Acc.	362
● OPS-3636	141271	39 x 39 x 79	36 x 36 x 77	1 1/8"	1/2"	Gelcoat	1P	Center		●	●	●	●	●	Opt.	Opt.	Acc.	Acc.	366

OPTS-6032

57" x 31 1/2" x 69 3/4" - Gelcoat

- 1-piece tub shower reinforced according to FHA accessibility requirements
 - Configurable to be compliant with major accessibility codes when properly installed
 - Right-hand or left-hand drain • Textured bottom
 - Above-the-Floor Rough
- Complete ANSI compliant package shown in below picture

CODE COMPLIANT TUB SHOWER UNIT



OUTLOOK PLUS SERIES MODEL

No	Model	Dimensions	Pkg	Approx. weight	Std Color(s)	Non-std Colors
141309-000-XXX	<p>One-piece tub shower base model ¹ 141309-R-000-XXX Right-hand drain 141309-L-000-XXX Left-hand drain R/L hand refers to drain positioning. Specify: Standard colors: White (002), Bone (004), Biscuit (007) Non-standard colors: Refer to color chart in this book.</p>	<p>57 X 31 1/2 X 69 3/4 in. 59 3/4 X 34 X 74 1/2 in. ext.</p>	90 ft ³	154 lb	\$ 845	\$ 1,045
BASE MODEL WITH ADA GRAB BARS						
141310-000-XXX	<p>Base model with ADA grab bars package ¹ 141310-R-000-XXX 141310-L-000-XXX R/L hand refers to drain positioning. Specify: Standard colors: White (002), Bone (004), Biscuit (007) Non-standard colors: Refer to color chart in this book.</p> <p>Package includes : • Base model • 4 x 24" Horizontal straight textured Stainless Steel grab bars (factory installed)</p>	<p>57 X 31 1/2 X 69 3/4 in. 59 3/4 X 34 X 74 1/2 in. ext.</p>	90 ft ³	154 lb	\$ 1,505	\$ 1,705
BASE MODEL WITH ANSI GRAB BARS						
141311-000-XXX	<p>Base model with ANSI grab bars package ¹ 141311-R-000-XXX 141311-L-000-XXX R/L hand refers to drain positioning. Specify: Standard colors: White (002), Bone (004), Biscuit (007) Non-standard colors: Refer to color chart in this book.</p> <p>Package includes : • Base model • 4 x 24" Horizontal straight textured Stainless Steel grab bars (factory installed) • 1 x 18" Vertical straight textured Stainless Steel grab bar (factory installed)</p>	<p>57 X 31 1/2 X 69 3/4 in. 59 3/4 X 34 X 74 1/2 in. ext.</p>	90 ft ³	154 lb	\$ 1,655	\$ 1,855
BASE MODEL WITH MASSACHUSETTS GRAB BARS						
141382-000-XXX	<p>Base model with Massachusetts grab bars package (Meets Massachusetts State code requirements) ¹ 141382-R-000-XXX 141382-L-000-XXX R/L hand refers to drain positioning. Specify: Standard colors: White (002), Bone (004), Biscuit (007) Non-standard colors: Refer to color chart in this book.</p> <p>Package includes : • Base model • 2 x 48" Horizontal straight textured Stainless Steel grab bar (factory installed)</p>	<p>57 X 31 1/2 X 69 3/4 in. 59 3/4 X 34 X 74 1/2 in. ext.</p>	90 ft ³	154 lb	\$ 1,339	\$ 1,539

OPTS-6032 (cont'd)

OUTLOOK PLUS SERIES MODEL (CONT'D)

No	Model	Dimensions	Pkg	Approx. weight	Std Color(s)	Non-std Colors
BASE MODEL WITH ADA GRAB BARS AND SEAT						
141312-000-XXX	<p>Base model with ADA grab bars & seat package 141312-R-000-XXX 141312-L-000-XXX R/L hand refers to drain positioning. Specify: Standard colors: White (002), Bone (004), Biscuit (007) Non-standard colors: Refer to color chart in this book.</p> <p>Package includes : • Base model • 4 x 24" Horizontal straight textured Stainless Steel grab bars (factory installed) • Removable Phenolic White seat</p>	<p>57 X 31 1/2 X 69 3/4 in. 59 3/4 X 34 X 74 1/2 in. ext.</p>	90 ft ³	154 lb	\$ 1,775	\$ 1,975
BASE MODEL WITH ANSI GRAB BARS AND SEAT						
141313-000-XXX	<p>Base model with ANSI grab bars and seat package ¹ 141313-R-000-XXX 141313-L-000-XXX R/L hand refers to drain positioning. Specify: Standard colors: White (002), Bone (004), Biscuit (007) Non-standard colors: Refer to color chart in this book.</p> <p>Package includes : • Base model • 4 x 24" Horizontal straight textured Stainless Steel grab bars (factory installed) • 1 x 18" Vertical straight textured Stainless Steel grab bar (factory installed) • Removable Phenolic White seat</p>	<p>57 X 31 1/2 X 69 3/4 in. 59 3/4 X 34 X 74 1/2 in. ext.</p>	90 ft ³	154 lb	\$ 1,925	\$ 2,125
BASE MODEL WITH MASSACHUSETTS GRAB BARS & SEAT						
141370-000-XXX	<p>Base model with Massachusetts grab bars & seat Package (Meets Massachusetts State code requirements) ¹ 141370-R-000-XXX 141370-L-000-XXX R/L hand refers to drain positioning. Specify: Standard colors: White (002), Bone (004), Biscuit (007) Non-standard colors: Refer to color chart in this book.</p> <p>Package includes : • Base model • 2 x 48" Horizontal straight textured Stainless Steel grab bars (factory installed) • Removable Phenolic White seat</p>	<p>57 X 31 1/2 X 69 3/4 in. 59 3/4 X 34 X 74 1/2 in. ext.</p>	90 ft ³	154 lb	\$ 1,622	\$ 1,822
ADA COMPLIANT MODEL (WITHOUT SEAT)						
141314-000-XXX	<p>Base model with complete ADA compliant package ¹ 141314-R-000-XXX 141314-L-000-XXX R/L hand refers to drain positioning. Specify: Standard colors: White (002), Bone (004), Biscuit (007) Non-standard colors: Refer to color chart in this book.</p> <p>Package includes : • Base model • 4 x 24" Horizontal straight textured Stainless Steel grab bars (factory installed) • Removable Phenolic White seat • Chrome pressure balance mixing valve and hand shower • 24" Chrome slide bar and 60" hose</p>	<p>57 X 31 1/2 X 69 3/4 in. 59 3/4 X 34 X 74 1/2 in. ext.</p>	90 ft ³	154 lb	\$ 2,380	\$ 2,580
ANSI COMPLIANT MODEL						
141315-000-XXX	<p>Base model with complete ANSI package ¹ 141315-R-000-XXX 141315-L-000-XXX R/L hand refers to drain positioning. Specify: Standard colors: White (002), Bone (004), Biscuit (007) Non-standard colors: Refer to color chart in this book.</p> <p>Package includes : • Base model • 4 x 24" Horizontal straight textured Stainless Steel grab bars (factory installed) • 1 x 18" Vertical straight textured Stainless Steel grab bar (factory installed) • Removable Phenolic White seat • Chrome pressure balance mixing valve and hand shower • 24" Chrome slide bar and 60" hose</p>	<p>57 X 31 1/2 X 69 3/4 in. 59 3/4 X 34 X 74 1/2 in. ext.</p>	90 ft ³	154 lb	\$ 2,530	\$ 2,730

OPTS-6032 (cont'd)

OUTLOOK PLUS SERIES MODEL (CONT'D)

No	Model	Dimensions	Pkg	Approx. weight	Std Color(s)	Non-std Colors
MASSACHUSETTS COMPLIANT MODEL						
141316-000-XXX	<p>Base model with complete Massachusetts package (Meets Massachusetts State code requirements) ¹ 141316-R-000-XXX 141316-L-000-XXX R/L hand refers to drain positioning. Specify: Standard colors: White (002), Bone (004), Biscuit (007) Non-standard colors: Refer to color chart in this book.</p> <p>Package includes : • Base model • 2 x 48" Horizontal straight textured Stainless Steel grab bars (factory installed) • Removable Phenolic White Seat • Chrome pressure balance mixing valve and hand shower • 30" Chrome slide bar and 60" hose</p>	<p>57 X 31 1/2 X 69 3/4 in. 59 3/4 X 34 X 74 1/2 in. ext.</p>	90 ft ³	154 lb	\$ 2,349	\$ 2,549

COMMON OPTIONS

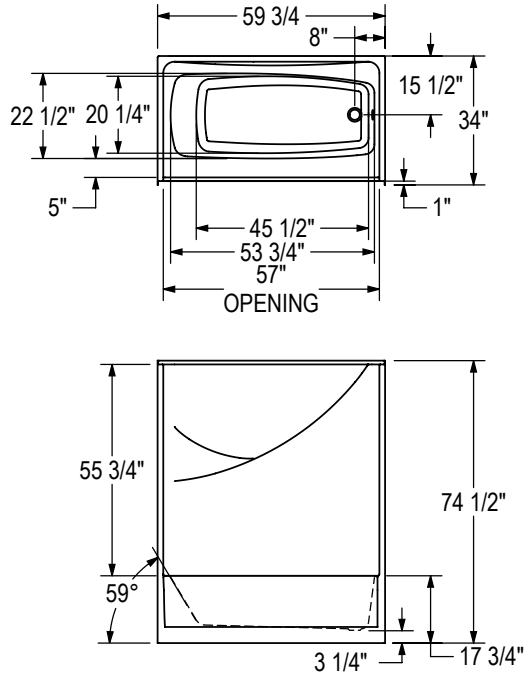
No	Description	Approx. weight	List Price
OPT 20240-084	56 in. Chrome curtain rod (factory installed)	N/A	\$ 70
OPT 20059-084	Chrome recessed soap dish (drilled, not installed)	N/A	\$ 85

ACCESSORIES

No	Description	Approx. weight	List Price
10020633-002	60 in. White vinyl shower curtain with Stainless Steel hooks (sold separately)	N/A	\$ 110

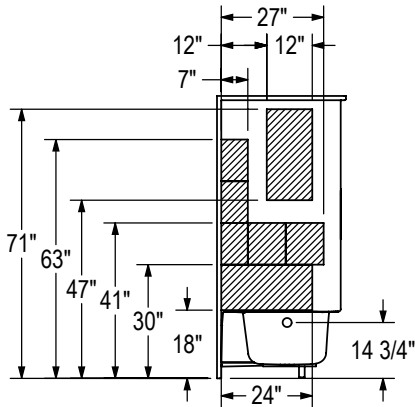
OPTS-6032 (cont'd)

BASE MODEL
RIGHT SIDE SHOWN
LEFT SIDE SYMMETRICAL

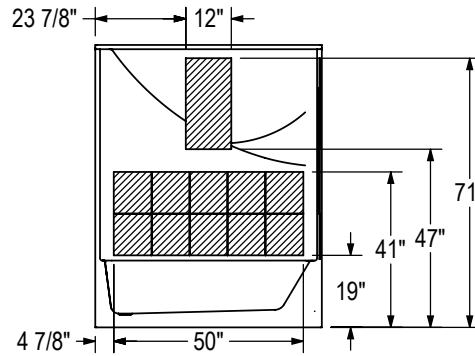


REINFORCEMENT BACKING

RIGHT WALL SHOWN
LEFT WALL SYMMETRICAL



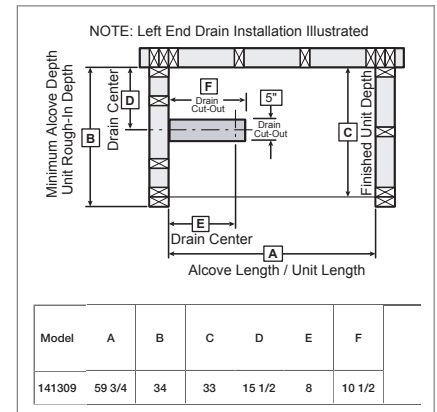
BACK WALL



All dimensions are approximate. Structure measurements must be verified against the unit to ensure proper fit.

FOOTNOTES - BEFORE ORDERING, PLEASE SPECIFY:

1. R/L hand refers to drain positioning.



OPS-6036-RS

60" x 36" x 76 5/8" - Gelcoat

- 1-piece roll-in shower reinforced according to FHA accessibility requirements
 - Configurable to be compliant with major accessibility codes when properly installed
 - Center drain • Textured bottom
 - 3/4" reduced skirt and 1/2" high threshold
- Complete ADA compliant package (without seat) shown in below picture

CODE COMPLIANT SHOWER UNITS



OUTLOOK PLUS SERIES MODEL

No	Model	Dimensions	Pkg	Approx. weight	Std Color(s)	Non-std Colors
141336-000-XXX	1-piece shower base model 141336-000-XXX Center drain Specify: Standard colors: White (002), Bone (004), Biscuit (007) Non-standard colors: Refer to color chart in this book.	60 X 36 X 76 5/8 in. 62 1/2 X 39 1/4 X 78 3/8 in. ext.	119 ft ³	225 lb	\$ 976	\$ 1076
BASE MODEL WITH ADA GRAB BAR						
141338-000-XXX	Base model with ADA U-shaped grab bar package 141338-000-XXX Specify: Standard colors: White (002), Bone (004), Biscuit (007) Non-standard colors: Refer to color chart in this book. Package includes : • Base model • 1 x Horizontal U-shaped 33" x 60" x 33" textured Stainless Steel grab bar (factory installed)	60 X 36 X 76 5/8 in. 62 1/2 X 39 1/4 X 78 3/8 in. ext.	119 ft ³	225 lb	\$ 1,329	\$ 1,429
BASE MODEL WITH ADA/ANSI GRAB BAR						
141337-000-XXX	Base Model with ADA/ANSI L-shaped grab bar ¹ 141337-R-000-XXX 141337-L-000-XXX R/L hand refers to grab bar positioning. Specify: Standard colors: White (002), Bone (004), Biscuit (007) Non-standard colors: Refer to color chart in this book. Package includes : • Base model • 1 x Horizontal L-shaped 33" x 37" textured Stainless Steel grab bar (factory installed)	60 X 36 X 76 5/8 in. 62 1/2 X 39 1/4 X 78 3/8 in. ext.	119 ft ³	225 lb	\$ 1,185	\$ 1,285
BASE MODEL WITH MASSACHUSETTS GRAB BAR						
141381-000-XXX	Base model with Massachusetts grab bar package (Meets Massachusetts State code requirements) 141381-000-XXX Specify: Standard colors: White (002), Bone (004), Biscuit (007) Non-standard colors: Refer to color chart in this book. Package includes : • Base model • 1 x 48" Horizontal straight textured Stainless Steel grab bar (factory installed)	60 X 36 X 76 5/8 in. 62 1/2 X 39 1/4 X 78 3/8 in. ext.	119 ft ³	225 lb	\$ 1,189	\$ 1,289
BASE MODEL WITH ADA/ANSI GRAB BAR AND SEAT						
141339-000-XXX	Base model with ADA/ANSI L-shaped grab bar & seat package ² 141339-R-000-XXX 141339-L-000-XXX R/L hand refers to grab bar positioning, seat will be installed on opposite side. Specify: Standard colors: White (002), Bone (004), Biscuit (007) Non-standard colors: Refer to color chart in this book. Package includes : • Base model • 1 x Horizontal L-shaped 33" x 37" textured Stainless Steel grab bar (factory installed) • L-shaped fold-up Phenolic White seat (factory installed)	60 X 36 X 76 5/8 in. 62 1/2 X 39 1/4 X 78 3/8 in. ext.	119 ft ³	225 lb	\$ 1,830	\$ 1,930

OPS-6036-RS (cont'd)

OUTLOOK PLUS SERIES MODEL (CONT'D)

No	Model	Dimensions	Pkg	Approx. weight	Std Color(s)	Non-std Colors
BASE MODEL WITH MASSACHUSETTS GRAB BAR & SEAT						
141369-000-XXX	<p>Base model with Massachusetts grab bar & seat package (Meets Massachusetts State code requirements) ³ 141369-000-XXX Specify: Standard colors: White (002), Bone (004), Biscuit (007) Non-standard colors: Refer to color chart in this book.</p> <p>Package includes :</p> <ul style="list-style-type: none"> • Base model • 1 x 48" Horizontal straight textured Stainless Steel grab bar (factory installed) • Rectangular fold-up Naugahyde White seat (factory installed) 	<p>60 X 36 X 76 5/8 in.</p> <p>62 1/2 X 39 1/4 X 78 3/8 ext.</p>	119 ft ³	225 lb	\$ 1,813	\$ 1,913

ADA COMPLIANT MODEL (WITHOUT SEAT)						
141341-000-XXX	<p>Base model with complete ADA package (without seat) ⁴ 141341-000-XXX Specify: Standard colors: White (002), Bone (004), Biscuit (007) Non-standard colors: Refer to color chart in this book.</p> <p>Package includes :</p> <ul style="list-style-type: none"> • Base model • 1 x Horizontal U-shaped 33" x 60" x 33" textured Stainless Steel grab bar (factory installed) • Chrome pressure balance mixing valve and hand shower • 24" Chrome slide bar and 60" hose 	<p>60 X 36 X 76 5/8 in.</p> <p>62 1/2 X 39 1/4 X 78 3/8 in. ext.</p>	119 ft ³	225 lb	\$ 1,974	\$ 2074

ADA/ANSI COMPLIANT MODEL (WITH SEAT)						
141340-000-XXX	<p>Base model with complete ADA/ANSI package (with seat) ² 141340-R-000-XXX 141340-L-000-XXX R/L hand refers to grab bar positioning, seat will be installed on opposite side. Specify: Standard colors: White (002), Bone (004), Biscuit (007) Non-standard colors: Refer to color chart in this book.</p> <p>Package includes :</p> <ul style="list-style-type: none"> • Base model • 1 x Horizontal L-shaped 33" x 37" textured Stainless Steel grab bar (factory installed) • L-shaped fold-up Phenolic White seat (factory installed) • Chrome pressure balance mixing valve and hand shower • 24" Chrome slide bar and 60" hose 	<p>60 X 36 X 76 5/8 in.</p> <p>62 1/2 X 39 1/4 X 78 3/8 in. ext.</p>	119 ft ³	225 lb	\$ 2,435	\$ 2,535

MASSACHUSETTS COMPLIANT MODEL						
141342-000-XXX	<p>Base model with complete Massachusetts Package ³ 141342-000-XXX Specify: Standard colors: White (002), Bone (004), Biscuit (007) Non-standard colors: Refer to color chart in this book.</p> <p>Package includes :</p> <ul style="list-style-type: none"> • Base model • 1 x 48" Horizontal straight textured Stainless Steel grab bar (factory installed) • Rectangular fold-up Naugahyde White seat (factory installed) • Chrome pressure balance mixing valve and hand shower • 36" Chrome slide bar and 60" hose 	<p>60 X 36 X 76 5/8 in.</p> <p>62 1/2 X 39 1/4 X 78 3/8 in. ext.</p>	119 ft ³	225 lb	\$ 2,534	\$ 2,634

COMMON OPTIONS

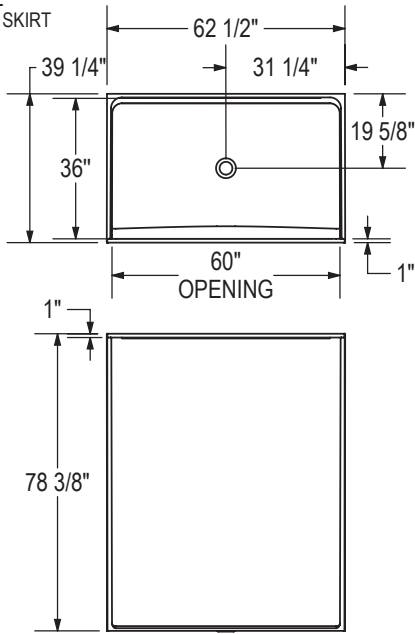
No	Description	Approx. weight	List Price
OPT 20059-084	Chrome recessed soap dish (drilled, not installed)	N/A	\$ 85
OPT 20241-084	60 in. Chrome curtain rod (factory installed)	N/A	\$ 75

ACCESSORIES

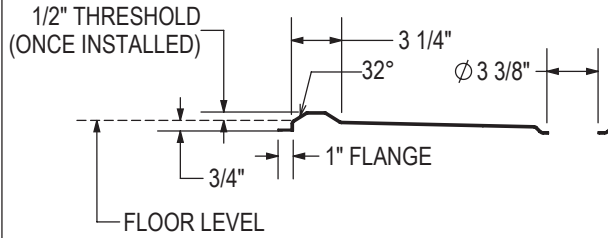
No	Description	Approx. weight	List Price
10000064	Solid Brass drain with Chrome plated Stainless Steel grid (sold separately)	N/A	\$ 35
10020633-002	60 in. White vinyl shower curtain with Stainless Steel hooks (sold separately)	N/A	\$ 110

OPS-6036-RS (cont'd)

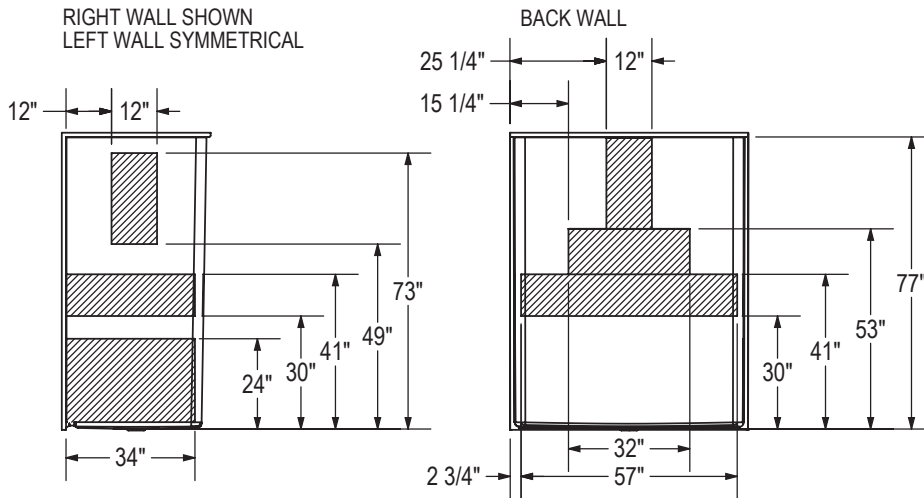
BASE MODEL WITH REDUCED SKIRT



THRESHOLD DETAIL (REDUCED SKIRT)



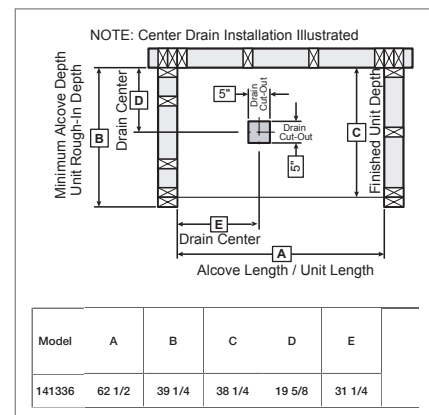
REINFORCEMENT BACKING



All dimensions are approximate. Structure measurements must be verified against the unit to ensure proper fit.

FOOTNOTES - BEFORE ORDERING, PLEASE SPECIFY:

1. R/L hand refers to grab bar positioning.
2. R/L hand refers to grab bar positioning, seat will be installed on opposite side.
3. Please specify R/L seat positioning.
4. Please specify R/L valve positioning.



OPS-6036

60" x 36" x 76 5/8" - Gelcoat

- 1-piece roll-in shower reinforced according to FHA accessibility requirements
 - Configurable to be compliant with major accessibility codes when properly installed
 - Center drain • Textured bottom
 - 1 1/8" skirt and 1/2" high threshold
- Complete ADA compliant package (without seat) shown in below picture



CODE COMPLIANT SHOWER UNITS

OUTLOOK PLUS SERIES MODEL

No	Model	Dimensions	Pkg	Approx. weight	Std Color(s)	Non-std Colors
141294-000-XXX	1-piece shower base model 141294-000-XXX Center drain Specify: Standard colors: White (002), Bone (004), Biscuit (007) Non-standard colors: Refer to color chart in this book.	60 X 36 X 76 5/8 in. 62 1/2 X 39 1/4 X 78 3/4 in. ext.	119 ft ³	225 lb	\$ 956	\$ 1056
BASE MODEL WITH ADA GRAB BAR						
141296-000-XXX	Base model with ADA U-shaped grab bar package 141296-000-XXX Specify: Standard colors: White (002), Bone (004), Biscuit (007) Non-standard colors: Refer to color chart in this book. Package includes : • Base model • 1 x Horizontal U-shaped 33" x 60" x 33" textured Stainless Steel grab bar (factory installed)	60 X 36 X 76 5/8 in. 62 1/2 X 39 1/4 X 78 3/4 in. ext.	119 ft ³	225 lb	\$ 1,309	\$ 1,409
BASE MODEL WITH ADA/ANSI GRAB BAR						
141295-000-XXX	Base Model with ADA/ANSI L-shaped grab bar ¹ 141295-R-000-XXX 141295-L-000-XXX R/L hand refers to grab bar positioning. Specify: Standard colors: White (002), Bone (004), Biscuit (007) Non-standard colors: Refer to color chart in this book. Package includes : • Base model • 1 x Horizontal L-shaped 33" x 37" textured Stainless Steel grab bar (factory installed)	60 X 36 X 76 5/8 in. 62 1/2 X 39 1/4 X 78 3/4 in. ext.	119 ft ³	225 lb	\$ 1,165	\$ 1,265
BASE MODEL WITH MASSACHUSETTS GRAB BAR						
141380-000-XXX	Base model with Massachusetts grab bar package (Meets Massachusetts State code requirements) 141380-000-XXX Specify: Standard colors: White (002), Bone (004), Biscuit (007) Non-standard colors: Refer to color chart in this book. Package includes : • Base model • 1 x 48" Horizontal straight textured Stainless Steel grab bar (factory installed)	60 X 36 X 76 5/8 in. 62 1/2 X 39 1/4 X 78 3/4 in. ext.	119 ft ³	225 lb	\$ 1,159	\$ 1,259
BASE MODEL WITH ADA/ANSI GRAB BAR AND SEAT						
141297-000-XXX	Base model with ADA/ANSI L-shaped grab bar & seat package ² 141297-R-000-XXX 141297-L-000-XXX R/L hand refers to grab bar positioning, seat will be installed on opposite side. Specify: Standard colors: White (002), Bone (004), Biscuit (007) Non-standard colors: Refer to color chart in this book. Package includes : • Base model • 1 x Horizontal L-shaped 33" x 37" textured Stainless Steel grab bar (factory installed) • L-shaped fold-up Phenolic White seat (factory installed)	60 X 36 X 76 5/8 in. 62 1/2 X 39 1/4 X 78 3/4 in. ext.	119 ft ³	225 lb	\$ 1,810	\$ 1,910

OPS-6036 (cont'd)

OUTLOOK PLUS SERIES MODEL (CONT'D)

No	Model	Dimensions	Pkg	Approx. weight	Std Color(s)	Non-std Colors
BASE MODEL WITH MASSACHUSETTS GRAB BARS & SEAT						
141368-000-XXX	<p>Base model with Massachusetts grab bar & seat Package (Meets Massachusetts State code requirements) ³ 141368-000-XXX Specify: Standard colors: White (002), Bone (004), Biscuit (007) Non-standard colors: Refer to color chart in this book.</p> <p>Package includes : • Base model • 1 x 48" Horizontal straight textured Stainless Steel grab bar (factory installed) • Rectangular fold-up Naugahyde White seat (factory installed)</p>	<p>60 X 36 X 76 5/8 in. 62 1/2 X 39 1/4 X 78 3/4 in. ext.</p>	119 ft ³	225 lb	\$ 1,784	\$ 1,884

ADA COMPLIANT MODEL (WITHOUT SEAT)						
141299-000-XXX	<p>Base model with complete ADA package (without seat) ⁴ 141299-000-XXX Specify: Standard colors: White (002), Bone (004), Biscuit (007) Non-standard colors: Refer to color chart in this book.</p> <p>Package includes : • Base model • 1 x Horizontal U-shaped 33" x 60" x 33" textured Stainless Steel grab bar (factory installed) • Chrome pressure balance mixing valve and hand shower • 24" Chrome slide bar and 60" hose</p>	<p>60 X 36 X 76 5/8 in. 62 1/2 X 39 1/4 X 78 3/4 in. ext.</p>	119 ft ³	225 lb	\$ 1,954	\$ 2054

ADA/ANSI COMPLIANT MODEL (WITH SEAT)						
141298-000-XXX	<p>Base model with complete ADA/ANSI package (with seat) ² 141298-R-000-XXX 141298-L-000-XXX R/L hand refers to grab bar positioning, seat will be installed on opposite side. Specify: Standard colors: White (002), Bone (004), Biscuit (007) Non-standard colors: Refer to color chart in this book.</p> <p>Package includes : • Base model • 1 x Horizontal L-shaped 33" x 37" textured Stainless Steel grab bar (factory installed) • L-shaped fold-up Phenolic White seat (factory installed) • Chrome pressure balance mixing valve and hand shower • 24" Chrome slide bar and 60" hose</p>	<p>60 X 36 X 76 5/8 in. 62 1/2 X 39 1/4 X 78 3/4 in. ext.</p>	119 ft ³	225 lb	\$ 2,415	\$ 2,515

MASSACHUSETTS COMPLIANT MODEL						
141300-000-XXX	<p>Base model with complete Massachusetts Package ³ 141300-000-XXX Specify: Standard colors: White (002), Bone (004), Biscuit (007) Non-standard colors: Refer to color chart in this book.</p> <p>Package includes : • Base model • 1 x 48" Horizontal straight textured Stainless Steel grab bar (factory installed) • Rectangular fold-up Naugahyde White seat (factory installed) • Chrome pressure balance mixing valve and hand shower • 36" Chrome slide bar and 60" hose</p>	<p>60 X 36 X 76 5/8 in. 62 1/2 X 39 1/4 X 78 3/4 in. ext.</p>	119 ft ³	225 lb	\$ 2,514	\$ 2,614

COMMON OPTIONS

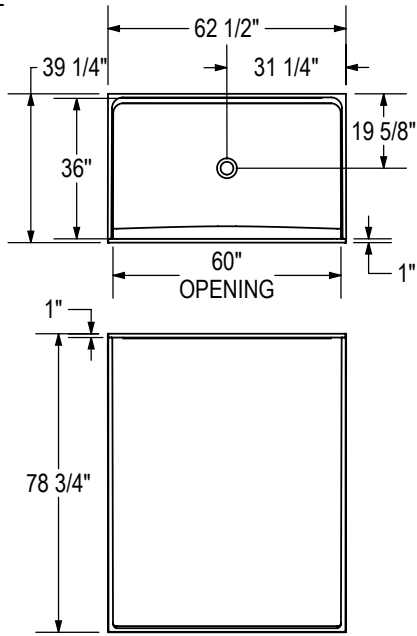
No	Description	Approx. weight	List Price
OPT 20059-084	Chrome recessed soap dish (drilled, not installed)	N/A	\$ 85
OPT 20241-084	60 in. Chrome curtain rod (factory installed)	N/A	\$ 75

ACCESSORIES

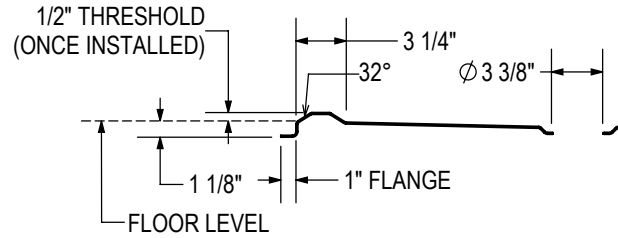
No	Description	Approx. weight	List Price
10000064	Solid Brass drain with Chrome plated Stainless Steel grid (sold separately)	N/A	\$ 35
10020633-002	60 in. White vinyl shower curtain with Stainless Steel hooks (sold separately)	N/A	\$ 110

OPS-6036 (cont'd)

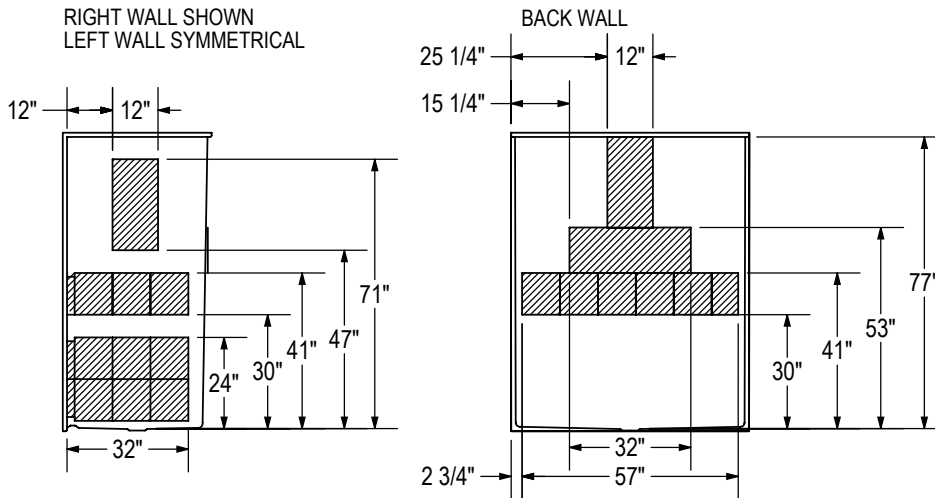
BASE MODEL



THRESHOLD DETAIL



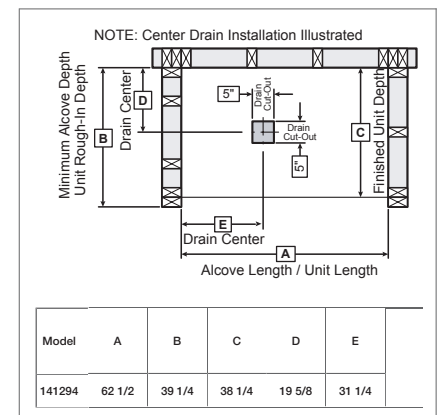
REINFORCEMENT BACKING



All dimensions are approximate. Structure measurements must be verified against the unit to ensure proper fit.

FOOTNOTES - BEFORE ORDERING, PLEASE SPECIFY:

1. R/L hand refers to grab bar positioning.
2. R/L hand refers to grab bar positioning, seat will be installed on opposite side.
3. Please specify R/L seat positioning.
4. Please specify R/L valve positioning.



OPS-6030-RS

60" x 30 1/4" x 76 5/8" - Gelcoat

- 1-piece roll-in shower reinforced according to FHA accessibility requirements
 - Configurable to be a compliant with major accessibility codes when properly installed
 - Center drain • Textured bottom
 - 3/4" reduced skirt and 1/2" high threshold
- Complete ADA/ANSI compliant package shown in below picture

CODE COMPLIANT SHOWER UNITS



OUTLOOK PLUS SERIES MODEL

No	Model	Dimensions	Pkg	Approx. weight	Std Color(s)	Non-std Colors
141329-000-XXX	1-piece shower base model 141329-000-XXX Center drain Specify: Standard colors: White (002), Bone (004), Biscuit (007) Non-standard colors: Refer to color chart in this book. Massachusetts Compliant (base model only)	60 X 30 1/4 X 76 5/8 in. 62 7/8 X 33 1/4 X 78 3/8 in. ext.	105 ft ³	195 lb	\$ 994	\$ 1094
BASE MODEL WITH ADA GRAB BAR						
141331-000-XXX	Base model with ADA U-shaped grab bar package 141331-000-XXX Specify: Standard colors: White (002), Bone (004), Biscuit (007) Non-standard colors: Refer to color chart in this book. Package includes : • Base model • 1 x Horizontal U-shaped 27" x 60" x 27" textured Stainless Steel grab bar (factory installed)	60 X 30 1/4 X 76 5/8 in. 62 7/8 X 33 1/4 X 78 3/8 in. ext.	105 ft ³	195 lb	\$ 1,365	\$ 1,465
BASE MODEL WITH ADA/ANSI GRAB BAR						
141330-000-XXX	Base model with ADA/ANSI L-shaped grab bar package ¹ 141330-R-000-XXX 141330-L-000-XXX R/L hand refers to grab bar positioning. Specify: Standard colors: White (002), Bone (004), Biscuit (007) Non-standard colors: Refer to color chart in this book. Package includes : • Base model • 1 x Horizontal L-shaped 27" x 37" textured Stainless Steel grab bar (factory installed)	60 X 30 1/4 X 76 5/8 in. 62 7/8 X 33 1/4 X 78 3/8 in. ext.	105 ft ³	195 lb	\$ 1,225	\$ 1,325
BASE MODEL WITH ADA/ANSI GRAB BAR AND SEAT						
141332-000-XXX	Base model with ADA/ANSI L-shaped grab bar & seat package ² 141332-R-000-XXX 141332-L-000-XXX R/L hand refers to grab bar positioning, seat will be installed on opposite side. Specify: Standard colors: White (002), Bone (004), Biscuit (007) Non-standard colors: Refer to color chart in this book. Package includes : • Base model • 1 x Horizontal L-shaped 27" x 37" textured Stainless Steel grab bar (factory installed) • L-shaped fold-up Phenolic White seat (factory installed)	60 X 30 1/4 X 76 5/8 in. 62 7/8 X 33 1/4 X 78 3/8 in. ext.	105 ft ³	195 lb	\$ 1,884	\$ 1,984

OPS-6030-RS (cont'd)

OUTLOOK PLUS SERIES MODEL (CONT'D)

No	Model	Dimensions	Pkg	Approx. weight	Std Color(s)	Non-std Colors
ADA COMPLIANT MODEL (WITHOUT SEAT)						
141334-000-XXX	<p>Base model with complete ADA package (without seat) ³ 141334-000-XXX Specify: Standard colors: White (002), Bone (004), Biscuit (007) Non-standard colors: Refer to color chart in this book.</p> <p>Package includes : • Base model • 1 x Horizontal U-shaped 27" x 60" x 27" textured Stainless Steel grab bar (factory installed) • Chrome pressure balance mixing valve and hand shower • 24" Chrome slide bar and 60" hose</p>	<p>60 X 30 1/4 X 76 5/8 in. 62 7/8 X 33 1/4 X 78 3/8 in. ext.</p>	105 ft ³	195 lb	\$ 2,024	\$ 2,124
ADA/ANSI COMPLIANT MODEL (WITH SEAT)						
141333-000-XXX	<p>Base model with complete ADA/ANSI package (WITH SEAT) ² 141333-R-000-XXX 141333-L-000-XXX R/L hand refers to grab bar positioning, seat will be installed on opposite side. Specify: Standard colors: White (002), Bone (004), Biscuit (007) Non-standard colors: Refer to color chart in this book.</p> <p>Package includes : • Base model • 1 x Horizontal L-shaped 27" x 37" textured Stainless Steel grab bar (factory installed) • L-shaped fold-up Phenolic White seat (factory installed) • Chrome pressure balance mixing valve and hand shower • 24" Chrome slide bar and 60" hose</p>	<p>60 X 30 1/4 X 76 5/8 in. 62 7/8 X 33 1/4 X 78 3/8 in. ext.</p>	105 ft ³	195 lb	\$ 2,489	\$ 2,589

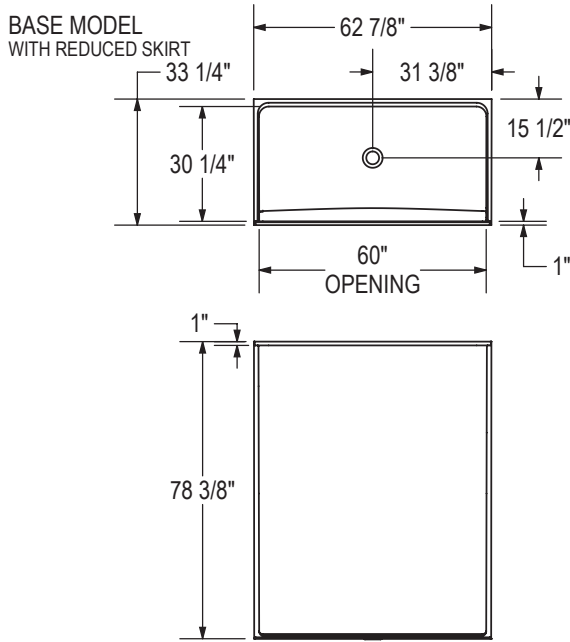
COMMON OPTIONS

No	Description	Approx. weight	List Price
OPT 20241-084	60 in. Chrome curtain rod (factory installed)	N/A	\$ 75
OPT 20059-084	Chrome recessed soap dish (drilled, not installed)	N/A	\$ 85

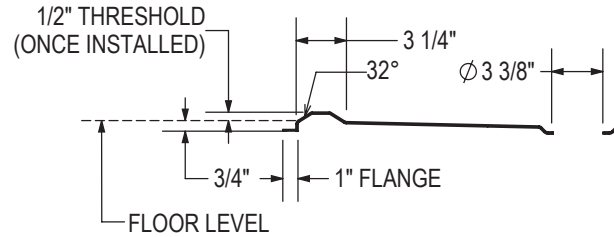
ACCESSORIES

No	Description	Approx. weight	List Price
1000064	Solid Brass drain with Chrome plated Stainless Steel grid (sold separately)	N/A	\$ 35
10020633-002	60 in. White vinyl shower curtain with Stainless Steel hooks (sold separately)	N/A	\$ 110

OPS-6030-RS (cont'd)

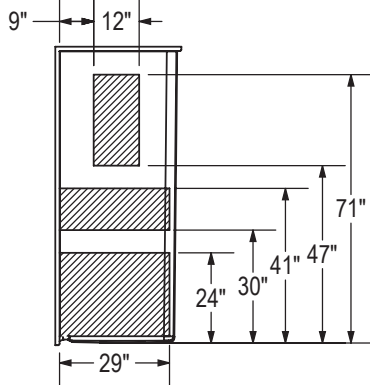


THRESHOLD DETAIL (REDUCED SKIRT)

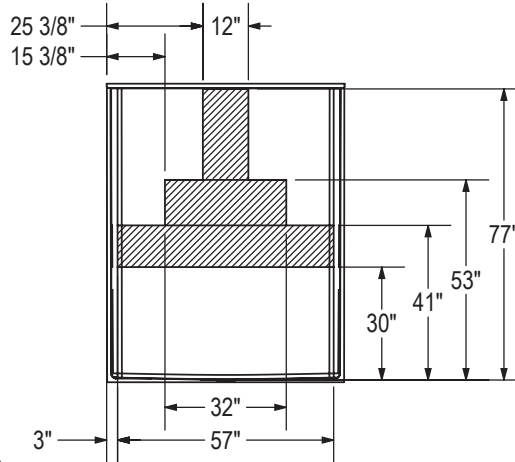


REINFORCEMENT BACKING

RIGHT WALL SHOWN
LEFT WALL SYMMETRICAL



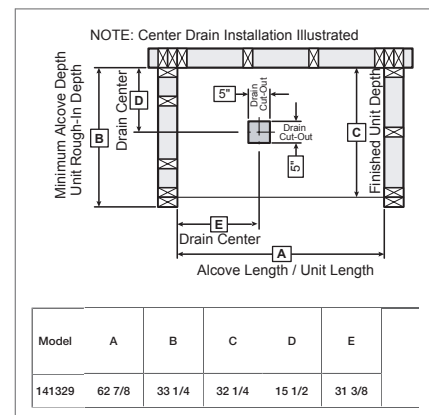
BACK WALL



All dimensions are approximate. Structure measurements must be verified against the unit to ensure proper fit.

FOOTNOTES - BEFORE ORDERING, PLEASE SPECIFY:

1. R/L hand refers to grab bar positioning.
2. R/L hand refers to grab bar positioning, seat will be installed on opposite side.
3. Please specify R/L valve positioning.



OPS-6030

60" x 30 1/4" x 76 5/8" - Gelcoat

- 1-piece roll-in shower reinforced according to FHA accessibility requirements
 - Configurable to be a compliant with major accessibility codes when properly installed
 - Center drain • Textured bottom
 - 1 1/8" skirt and 1/2" high threshold
- Complete ADA/ANSI compliant package shown in below picture



CODE COMPLIANT SHOWER UNITS

OUTLOOK PLUS SERIES MODEL

No	Model	Dimensions	Pkg	Approx. weight	Std Color(s)	Non-std Colors
141287-000-XXX	<p>1-piece shower base model 141287-000-XXX Center drain Specify: Standard colors: White (002), Bone (004), Biscuit (007) Non-standard colors: Refer to color chart in this book. Massachusetts Compliant (base model only)</p>	<p>60 X 30 1/4 X 76 5/8 in. 62 7/8 X 33 1/4 X 78 3/4 in. ext.</p>	105 ft ³	195 lb	\$ 974	\$ 1074
BASE MODEL WITH ADA GRAB BAR						
141289-000-XXX	<p>Base model with ADA U-shaped grab bar package 141289-000-XXX Specify: Standard colors: White (002), Bone (004), Biscuit (007) Non-standard colors: Refer to color chart in this book.</p> <p>Package includes : • Base model • 1 x Horizontal U-shaped 27" x 60" x 27" textured Stainless Steel grab bar (factory installed)</p>	<p>60 X 30 1/4 X 76 5/8 in. 62 7/8 X 33 1/4 X 78 3/4 in. ext.</p>	105 ft ³	195 lb	\$ 1,345	\$ 1,445
BASE MODEL WITH ADA/ANSI GRAB BAR						
141288-000-XXX	<p>Base model with ADA/ANSI L-shaped grab bar package ¹ 141288-R-000-XXX 141288-L-000-XXX R/L hand refers to grab bar positioning. Specify: Standard colors: White (002), Bone (004), Biscuit (007) Non-standard colors: Refer to color chart in this book.</p> <p>Package includes : • Base model • 1 x Horizontal L-shaped 27" x 37" textured Stainless Steel grab bar (factory installed)</p>	<p>60 X 30 1/4 X 76 5/8 in. 62 7/8 X 33 1/4 X 78 3/4 in. ext.</p>	105 ft ³	195 lb	\$ 1,205	\$ 1,305
BASE MODEL WITH ADA/ANSI GRAB BAR AND SEAT						
141290-000-XXX	<p>Base model with ADA/ANSI L-shaped grab bar & seat package ² 141290-R-000-XXX 141290-L-000-XXX R/L hand refers to grab bar positioning, seat will be installed on opposite side. Specify: Standard colors: White (002), Bone (004), Biscuit (007) Non-standard colors: Refer to color chart in this book.</p> <p>Package includes : • Base model • 1 x Horizontal L-shaped 27" x 37" textured Stainless Steel grab bar (factory installed) • L-shaped fold-up Phenolic White seat (factory installed)</p>	<p>60 X 30 1/4 X 76 5/8 in. 62 7/8 X 33 1/4 X 78 3/4 in. ext.</p>	105 ft ³	195 lb	\$ 1,864	\$ 1,964

OPS-6030 (cont'd)

OUTLOOK PLUS SERIES MODEL (CONT'D)

No	Model	Dimensions	Pkg	Approx. weight	Std Color(s)	Non-std Colors
ADA COMPLIANT MODEL (WITHOUT SEAT)						
141292-000-XXX	<p>Base model with complete ADA package (without seat) ³ 141292-000-XXX Specify: Standard colors: White (002), Bone (004), Biscuit (007) Non-standard colors: Refer to color chart in this book.</p> <p>Package includes : • Base model • 1 x Horizontal U-shaped 27" x 60" x 27" textured Stainless Steel grab bar (factory installed) • Chrome pressure balance mixing valve and hand shower • 24" Chrome slide bar and 60" hose</p>	<p>60 X 30 1/4 X 76 5/8 in. 62 7/8 X 33 1/4 X 78 3/4 in. ext.</p>	105 ft ³	195 lb	\$ 2,004	\$ 2,104

ADA/ANSI COMPLIANT MODEL (WITH SEAT)						
141291-000-XXX	<p>Base model with complete ADA/ANSI package (WITH SEAT) ² 141291-R-000-XXX 141291-L-000-XXX R/L hand refers to grab bar positioning, seat will be installed on opposite side. Specify: Standard colors: White (002), Bone (004), Biscuit (007) Non-standard colors: Refer to color chart in this book.</p> <p>Package includes : • Base model • 1 x Horizontal L-shaped 27" x 37" textured Stainless Steel grab bar (factory installed) • L-shaped fold-up Phenolic White seat (factory installed) • Chrome pressure balance mixing valve and hand shower • 24" Chrome slide bar and 60" hose</p>	<p>60 X 30 1/4 X 76 5/8 in. 62 7/8 X 33 1/4 X 78 3/4 in. ext.</p>	105 ft ³	195 lb	\$ 2,469	\$ 2,569

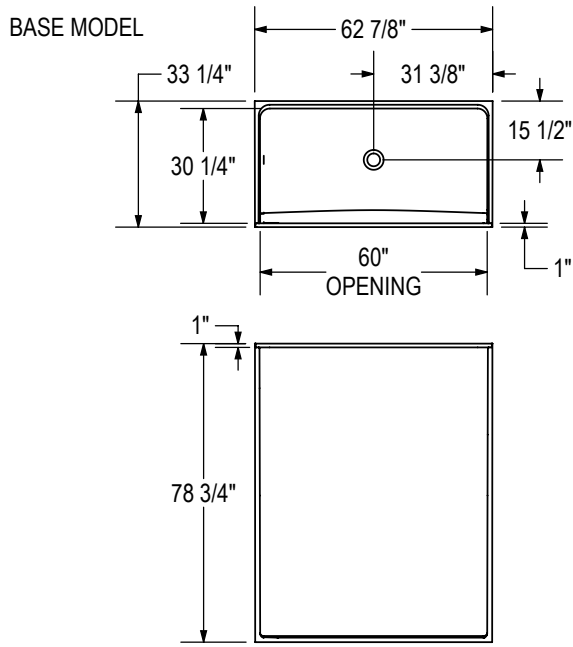
COMMON OPTIONS

No	Description	Approx. weight	List Price
OPT 20241-084	60 in. Chrome curtain rod (factory installed)	N/A	\$ 75
OPT 20059-084	Chrome recessed soap dish (drilled, not installed)	N/A	\$ 85

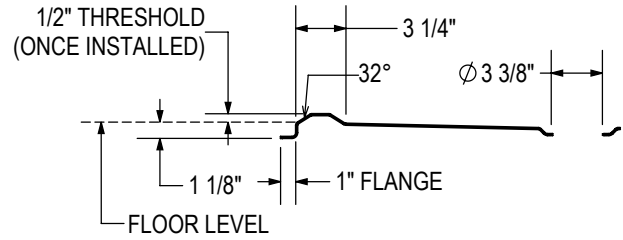
ACCESSORIES

No	Description	Approx. weight	List Price
10000064	Solid Brass drain with Chrome plated Stainless Steel grid (sold separately)	N/A	\$ 35
10020633-002	60 in. White vinyl shower curtain with Stainless Steel hooks (sold separately)	N/A	\$ 110

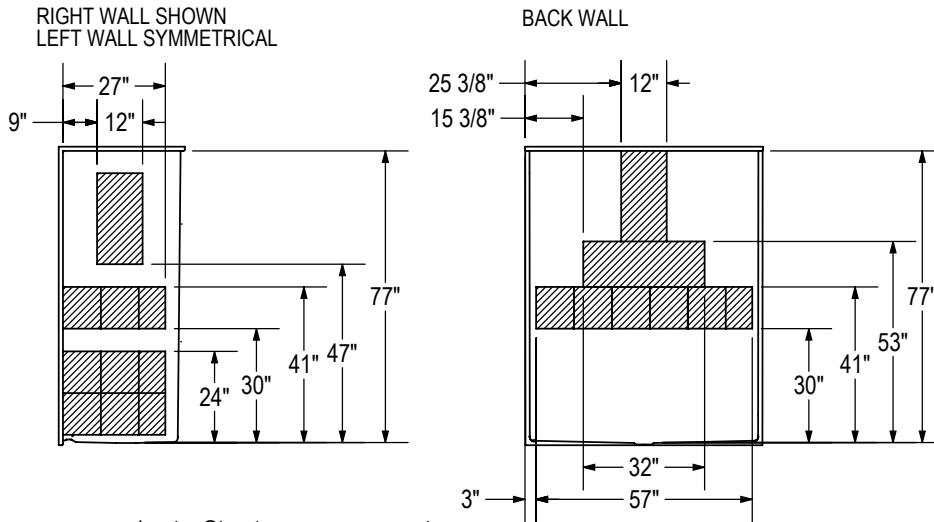
OPS-6030 (cont'd)



THRESHOLD DETAIL



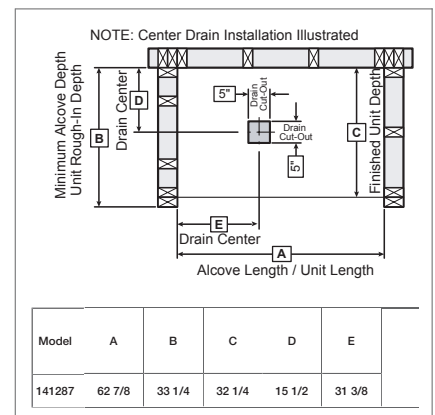
REINFORCEMENT BACKING



All dimensions are approximate. Structure measurements must be verified against the unit to ensure proper fit.

FOOTNOTES - BEFORE ORDERING, PLEASE SPECIFY:

1. R/L hand refers to grab bar positioning.
2. R/L hand refers to grab bar positioning, seat will be installed on opposite side.
3. Please specify R/L valve positioning.



OPS-3636-RS

36" x 36" x 76 5/8" - Gelcoat

- 1-piece transfer shower reinforced according to FHA accessibility requirements
 - Configurable to be compliant with major accessibility codes when properly installed
 - Center drain • Textured bottom
 - 3/4 in. reduced skirt and 1/2 in. high threshold
- Complete ANSI compliant package shown in below picture

CODE COMPLIANT SHOWER UNITS



OUTLOOK PLUS SERIES MODEL

No	Model	Dimensions	Pkg	Approx. weight	Std Color(s)	Non-std Colors
141321-000-XXX	1-piece shower base model 141321-000-XXX Center Drain Specify: Standard colors: White (002), Bone (004), Biscuit (007) Non-standard colors: Refer to color chart in this book.	36 X 36 X 76 5/8 in. 38 3/4 X 39 X 78 3/8 in ext.	75 ft ³	162 lb	\$ 878	\$ 978
BASE MODEL WITH ADA GRAB BAR						
141322-000-XXX	Base model with ADA grab bar package ¹ 141322-R-000-XXX 141322-L-000-XXX R/L hand refers to grab bar positioning. Specify: Standard colors: White (002), Bone (004), Biscuit (007) Non-standard colors: Refer to color chart in this book. Package includes : • Base model • 1 x Horizontal L-shaped 34 3/8" x 18" textured Stainless Steel grab bar (factory installed)	36 X 36 X 76 5/8 in. 38 3/4 X 39 X 78 3/8 in. ext.	75 ft ³	162 lb	\$ 1,109	\$ 1,209
BASE MODEL WITH ANSI GRAB BARS						
141323-000-XXX	Base model with ANSI grab bars package ¹ 141323-R-000-XXX 141323-L-000-XXX R/L hand refers to grab bar positioning. Specify: Standard colors: White (002), Bone (004), Biscuit (007) Non-standard colors: Refer to color chart in this book. Package includes : • Base model • 1 x Horizontal L-shaped 34 3/8" x 18" textured Stainless Steel grab bar (factory installed) • 1 x 18" Vertical straight textured Stainless Steel grab bar (factory installed)	36 X 36 X 76 5/8 in. 38 3/4 X 39 X 78 3/8 in. ext.	75 ft ³	162 lb	\$ 1,270	\$ 1,370
BASE MODEL WITH MASSACHUSETTS GRAB BARS						
141379-000-XXX	Base model with Massachusetts grab bars Package (Meets Massachusetts State code requirements) ² 141379-R-000-XXX 141379-L-000-XXX R/L hand refers to drain positioning. Specify: Standard colors: White (002), Bone (004), Biscuit (007) Non-standard colors: Refer to color chart in this book. Package includes : • Base model • 2 x 30" Horizontal straight textured Stainless Steel grab bar (factory installed)	36 X 36 X 76 5/8 in. 38 3/4 X 39 X 78 3/8 in ext.	75 ft ³	162 lb	\$ 1,239	\$ 1,339

OPS-3636-RS (cont'd)

OUTLOOK PLUS SERIES MODEL (CONT'D)

No	Model	Dimensions	Pkg	Approx. weight	Std Color(s)	Non-std Colors
BASE MODEL WITH ADA GRAB BAR AND SEAT						
141324-000-XXX	<p>Base model with ADA grab bar & seat package ¹ 141324-R-000-XXX 141324-L-000-XXX R/L hand refers to grab bar positioning, seat will be installed on opposite side. Specify: Standard colors: White (002), Bone (004), Biscuit (007) Non-standard colors: Refer to color chart in this book.</p> <p>Package includes : • Base model • 1 x Horizontal L-shaped 34 3/8" x 18" textured Stainless Steel grab bar (factory installed) • L-shaped fold-up Phenolic White seat (factory installed)</p>	<p>36 X 36 X 76 5/8 in. 38 3/4 X 39 X 78 3/8 in. ext.</p>	75 ft ³	162 lb	\$ 1,743	\$ 1,843
BASE MODEL WITH ANSI GRAB BARS AND SEAT						
141325-000-XXX	<p>Base model with ANSI grab bars & seat package ¹ 141325-R-000-XXX 141325-L-000-XXX R/L hand refers to grab bar positioning, seat will be installed on opposite side. Specify: Standard colors: White (002), Bone (004), Biscuit (007) Non-standard colors: Refer to color chart in this book.</p> <p>Package includes : • Base model • 1 x Horizontal L-shaped 34 3/8" x 18" textured Stainless Steel grab bar (factory installed) • 1 x 18" Vertical straight textured Stainless Steel grab bar (factory installed) • L-shaped fold-up Phenolic White seat (factory installed)</p>	<p>36 X 36 X 76 5/8 in. 38 3/4 X 39 X 78 3/8 in. ext.</p>	75 ft ³	162 lb	\$ 1,893	\$ 1,993
BASE MODEL WITH MASSACHUSETTS GRAB BARS & SEAT						
141367-000-XXX	<p>Base model with Massachusetts grab bars & seat Package (Meets Massachusetts State code requirements) ³ 141367-R-000-XXX 141367-L-000-XXX R/L hand refers to drain and grab bar positioning, seat will be installed on opposite side. Specify: Standard colors: White (002), Bone (004), Biscuit (007)</p> <p>Package includes : • Base model • 2 x 30" Horizontal straight textured Stainless Steel grab bar • Rectangular fold-up Naugahyde White seat (factory installed)</p>	<p>36 X 36 X 76 5/8 in. 38 3/4 X 39 X 78 3/8 in. ext.</p>	75 ft ³	162 lb	\$ 1,864	\$ 1,964
ADA COMPLIANT MODEL						
141326-000-XXX	<p>1-piece shower with ADA compliant package ⁴ 141326-R-000-XXX 141326-L-000-XXX R/L hand refers to grab bar positioning, seat will be installed on opposite side. Specify: Standard colors: White (002), Bone (004), Biscuit (007) Non-standard colors: Refer to color chart in this book.</p> <p>Package includes : • Base model • 1 x Horizontal L shaped 34 3/8" x 18" textured Stainless Steel grab bar(factory installed) • L-shaped fold-up Phenolic White seat (factory installed)</p> <p>• Chrome pressure balance mixing valve with hand shower • 24" Chrome slide bar and 60" hose</p>	<p>36 X 36 X 76 5/8 in. 38 3/4 X 39 X 78 3/8 in. ext.</p>	75 ft ³	162 lb	\$ 2,348	\$ 2,448
ANSI COMPLIANT MODEL						
141327-000-XXX	<p>Base model with complete ANSI package ⁴ 141327-R-000-XXX 141327-L-000-XXX R/L hand refers to grab bar positioning, seat will be installed on opposite side. Specify: Standard colors: White (002), Bone (004), Biscuit (007) Non-standard colors: Refer to color chart in this book.</p> <p>Package includes : • Base model • 1 x Horizontal L-shaped 34 3/8" x 18" textured Stainless Steel grab bar (factory installed) • 1 x 18" Vertical straight textured Stainless Steel grab bar • L-shaped fold-up Phenolic White seat (factory installed)</p> <p>• Chrome pressure balance mixing valve and hand shower • 24" Chrome slide bar and 60" hose</p>	<p>36 X 36 X 76 5/8 in. 38 3/4 X 39 X 78 3/8 in. ext.</p>	75 ft ³	162 lb	\$ 2,498	\$ 2,598

OPS-3636-RS (cont'd)

OUTLOOK PLUS SERIES MODEL (CONT'D)

No	Model	Dimensions	Pkg	Approx. weight	Std Color(s)	Non-std Colors
MASSACHUSETTS COMPLIANT MODEL						
141328-000-XXX	<p>Base model with complete Massachusetts package (Meets Massachusetts State code requirements) ⁴ 141328-R-000-XXX 141328-L-000-XXX R/L hand refers to grab bar positioning, seat will be installed on opposite side. Specify: Standard colors: White (002), Bone (004), Biscuit (007) Non-standard colors: Refer to color chart in this book.</p> <p>Package includes : • Base model • 2 x 30" Horizontal straight textured Stainless Steel grab bar (factory installed) • Rectangular fold-up Naugahyde White seat (factory installed) • Chrome pressure balance mixing valve and hand shower • 30" Chrome slide bar and 60" hose</p>	<p>36 X 36 X 76 5/8 in. 38 3/4 X 39 X 78 3/8 in. ext.</p>	75 ft ³	162 lb	\$ 2,560	\$ 2,660

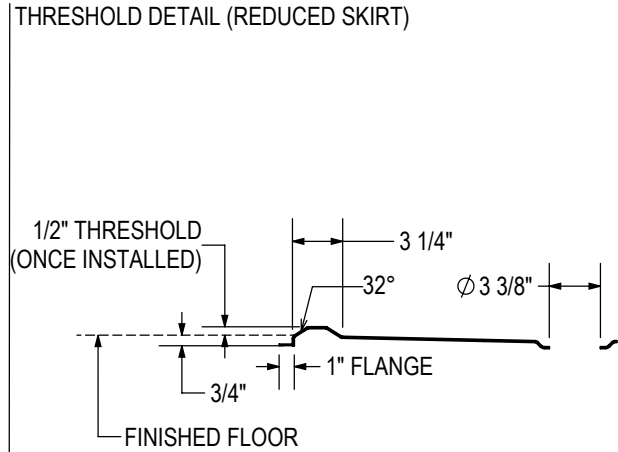
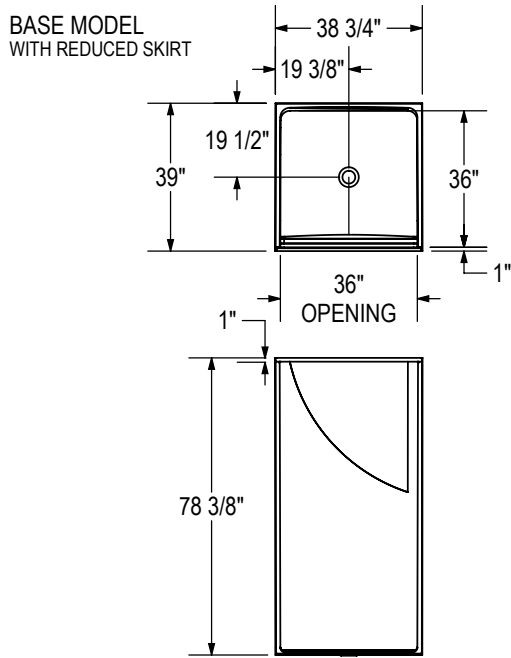
COMMON OPTIONS

No	Description	Approx. weight	List Price
OPT 10225-084	36" Chrome curtain rod (factory installed)	N/A	\$ 55
OPT 20059-084	Chrome recessed soap dish (drilled, not installed)	N/A	\$ 85

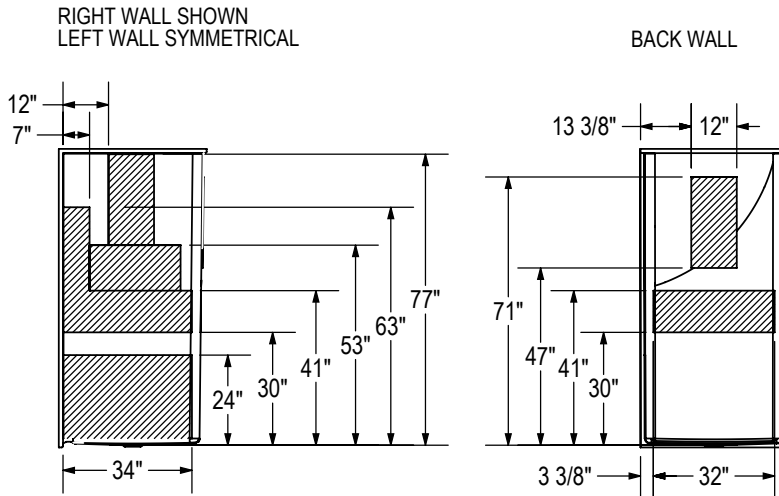
ACCESSORIES

No	Description	Approx. weight	List Price
10020632-002	36" White vinyl shower curtain with Stainless Steel hooks (sold separately)	N/A	\$ 75
10000064	Solid Brass drain with Chrome plated Stainless Steel grid (sold separately)	N/A	\$ 35

OPS-3636-RS (cont'd)



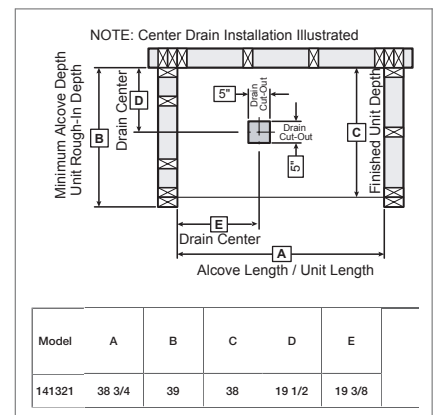
REINFORCEMENT BACKING



All dimensions are approximate. Structure measurements must be verified against the unit to ensure proper fit.

FOOTNOTES - BEFORE ORDERING, PLEASE SPECIFY:

1. R/L hand refers to grab bar positioning.
2. R/L hand refers to drain positioning.
3. R/L hand refers to drain and grab bar positioning, seat will be installed on opposite side.
4. R/L hand refers to grab bar positioning, seat will be installed on opposite side.



OPS-3636

36" x 36" x 76 5/8" - Gelcoat

- 1-piece transfer shower reinforced according to FHA accessibility requirements
 - Configurable to be compliant with major accessibility codes when properly installed
 - Center drain • Textured bottom
 - 1 1/8 in. skirt and 1/2 in. high threshold
- Complete ANSI compliant package shown in below picture

CODE COMPLIANT SHOWER UNITS



OUTLOOK PLUS SERIES MODEL

No	Model	Dimensions	Pkg	Approx. weight	Std Color(s)	Non-std Colors
141271-000-XXX	1-piece shower base model 141271-000-XXX Center Drain Specify: Standard colors: White (002), Bone (004), Biscuit (007) Non-standard colors: Refer to color chart in this book.	36 X 36 X 76 5/8 in. 38 3/4 X 39 X 78 3/4 in. ext.	75 ft ³	162 lb	\$ 858	\$ 958
BASE MODEL WITH ADA GRAB BAR						
141272-000-XXX	Base model with ADA grab bar package ¹ 141272-R-000-XXX 141272-L-000-XXX R/L hand refers to grab bar positioning. Specify: Standard colors: White (002), Bone (004), Biscuit (007) Non-standard colors: Refer to color chart in this book. Package includes : • Base model • 1 x Horizontal L-shaped 34 3/8" x 18" textured Stainless Steel grab bar (factory installed)	36 X 36 X 76 5/8 in. 38 3/4 X 39 X 78 3/4 in. ext.	75 ft ³	162 lb	\$ 1,089	\$ 1189
BASE MODEL WITH ANSI GRAB BARS						
141273-000-XXX	Base model with ANSI grab bars package ¹ 141273-R-000-XXX 141273-L-000-XXX R/L hand refers to grab bar positioning. Specify: Standard colors: White (002), Bone (004), Biscuit (007) Non-standard colors: Refer to color chart in this book. Package includes : • Base model • 1 x Horizontal L-shaped 34 3/8" x 18" textured Stainless Steel grab bar (factory installed) • 1 x 18" Vertical straight textured Stainless Steel grab bar (factory installed)	36 X 36 X 76 5/8 in. 38 3/4 X 39 X 78 3/4 in. ext.	75 ft ³	162 lb	\$ 1,250	\$ 1,350
BASE MODEL WITH MASSACHUSETTS GRAB BARS						
141378-000-XXX	Base model with Massachusetts grab bars Package (Meets Massachusetts State code requirements) ² 141378-R-000-XXX 141378-L-000-XXX R/L hand refers to drain and grab bar positioning, seat will be installed on opposite side. Specify: Standard colors: White (002), Bone (004), Biscuit (007) Non-standard colors: Refer to color chart in this book. Package includes : • Base model • 2 x 30" Horizontal straight textured Stainless Steel grab bar	36 X 36 X 76 5/8 in. 38 3/4 X 39 X 78 3/4 in. ext.	75 ft ³	162 lb	\$ 1,195	\$ 1,295

OPS-3636 (cont'd)

OUTLOOK PLUS SERIES MODEL (CONT'D)

No	Model	Dimensions	Pkg	Approx. weight	Std Color(s)	Non-std Colors
BASE MODEL WITH ADA GRAB BAR AND SEAT						
141274-000-XXX	<p>Base model with ADA grab bar & seat package ¹ 141274-R-000-XXX 141274-L-000-XXX R/L hand refers to grab bar positioning, seat will be installed on opposite side. Specify: Standard colors: White (002), Bone (004), Biscuit (007) Non-standard colors: Refer to color chart in this book.</p> <p>Package includes : • Base model • 1 x Horizontal L-shaped 34 3/8" x 18" textured Stainless Steel grab bar (factory installed) • L-shaped fold-up Phenolic White seat (factory installed)</p>	<p>36 X 36 X 76 5/8 in. 38 3/4 X 39 X 78 3/4 in. ext.</p>	75 ft ³	162 lb	\$ 1,723	\$ 1,823
BASE MODEL WITH ANSI GRAB BARS AND SEAT						
141275-000-XXX	<p>Base model with ANSI grab bars & seat package ³ 141275-R-000-XXX 141275-L-000-XXX R/L hand refers to grab bar positioning, seat will be installed on opposite side. Specify: Standard colors: White (002), Bone (004), Biscuit (007) Non-standard colors: Refer to color chart in this book.</p> <p>Package includes : • Base model • 1 x Horizontal L-shaped 34 3/8" x 18" textured Stainless Steel grab bar (factory installed) • 1 x 18" Vertical straight textured Stainless Steel grab bar (factory installed) • L-shaped fold-up Phenolic White seat (factory installed)</p>	<p>36 X 36 X 76 5/8 in. 38 3/4 X 39 X 78 3/4 in. ext.</p>	75 ft ³	162 lb	\$ 1,873	\$ 1,973
BASE MODEL WITH MASSACHUSETTS GRAB BARS & SEAT						
141366-000-XXX	<p>Base model with Massachusetts grab bars & seat Package (Meets Massachusetts State code requirements) ² 141366-R-000-XXX 141366-L-000-XXX R/L hand refers to drain and grab bar positioning, seat will be installed on opposite side. Specify: Standard colors: White (002), Bone (004), Biscuit (007) Non-standard colors: Refer to color chart in this book.</p> <p>Package includes : • Base model • 2 x 30" Horizontal straight textured Stainless Steel grab bar • Rectangular fold-up Naugahyde White seat (factory installed)</p>	<p>36 X 36 X 76 5/8 in. 38 3/4 X 39 X 78 3/4 in. ext.</p>	75 ft ³	162 lb	\$ 1,820	\$ 1,920
ADA COMPLIANT MODEL						
141276-000-XXX	<p>1-piece shower with ADA compliant package ³ 141276-R-000-XXX 141276-L-000-XXX R/L hand refers to grab bar positioning, seat will be installed on opposite side. Specify: Standard colors: White (002), Bone (004), Biscuit (007) Non-standard colors: Refer to color chart in this book.</p> <p>Package includes : • Base model • 1 x Horizontal L shaped 34 3/8" x 18" textured Stainless Steel grab bar (factory installed) • L-shaped fold-up Phenolic White seat (factory installed) • Chrome pressure balance mixing valve with hand shower • 24" Chrome slide bar and 60" hose</p>	<p>36 X 36 X 76 5/8 in. 38 3/4 X 39 X 78 3/4 in. ext.</p>	75 ft ³	162 lb	\$ 2,328	\$ 2,428
ANSI COMPLIANT MODEL						
141277-000-XXX	<p>Base model with complete ANSI package ³ 141277-R-000-XXX 141277-L-000-XXX R/L hand refers to grab bar positioning, seat will be installed on opposite side. Specify: Standard colors: White (002), Bone (004), Biscuit (007) Non-standard colors: Refer to color chart in this book.</p> <p>Package includes : • Base model • 1 x Horizontal L-shaped 34 3/8" x 18" textured Stainless Steel grab bar (factory installed) • 1 x 18" Vertical straight textured Stainless Steel grab bar • L-shaped fold-up Phenolic White seat (factory installed) • Chrome pressure balance mixing valve and hand shower with on/off feature • 24" Chrome slide bar and 60" hose</p>	<p>36 X 36 X 76 5/8 in. 38 3/4 X 39 X 78 3/4 in. ext.</p>	75 ft ³	162 lb	\$ 2,478	\$ 2,578

OPS-3636 (cont'd)

OUTLOOK PLUS SERIES MODEL (CONT'D)

No	Model	Dimensions	Pkg	Approx. weight	Std Color(s)	Non-std Colors
MASSACHUSETTS COMPLIANT MODEL						
141278-000-XXX	<p>Base model with complete Massachusetts package (Meets Massachusetts State code requirements) ¹ 141278-R-000-XXX 141278-L-000-XXX R/L hand refers to grab bar positioning, seat will be installed on opposite side. Specify: Standard colors: White (002), Bone (004), Biscuit (007) Non-standard colors: Refer to color chart in this book.</p> <p>Package includes : • Base model • 2 x 30" Horizontal straight textured Stainless Steel grab bar (factory installed) • Rectangular fold-up Naugahyde White seat (factory installed) • Chrome pressure balance mixing valve and hand shower • 30" Chrome slide bar and 60" hose</p>	<p>36 X 36 X 76 5/8 in. 38 3/4 X 39 X 78 3/4 in. ext.</p>	75 ft ³	162 lb	\$ 2,540	\$ 2,640

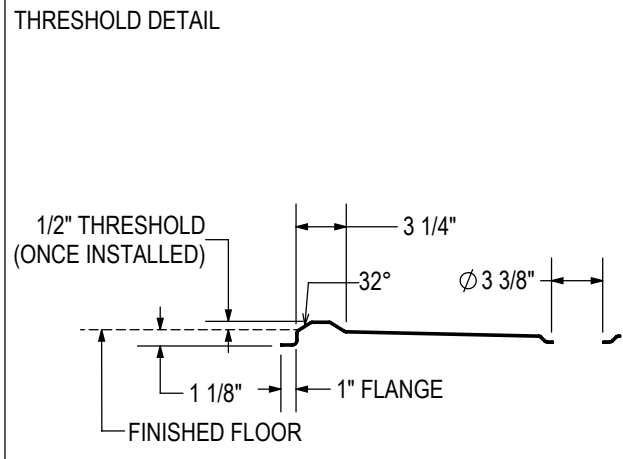
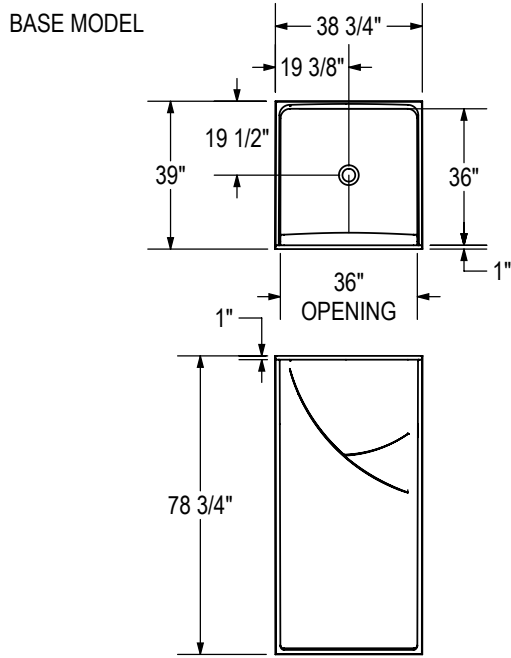
COMMON OPTIONS

No	Description	Approx. weight	List Price
OPT 10225-084	36" Chrome curtain rod (factory installed)	N/A	\$ 55
OPT 20059-084	Chrome recessed soap dish (drilled, not installed)	N/A	\$ 85

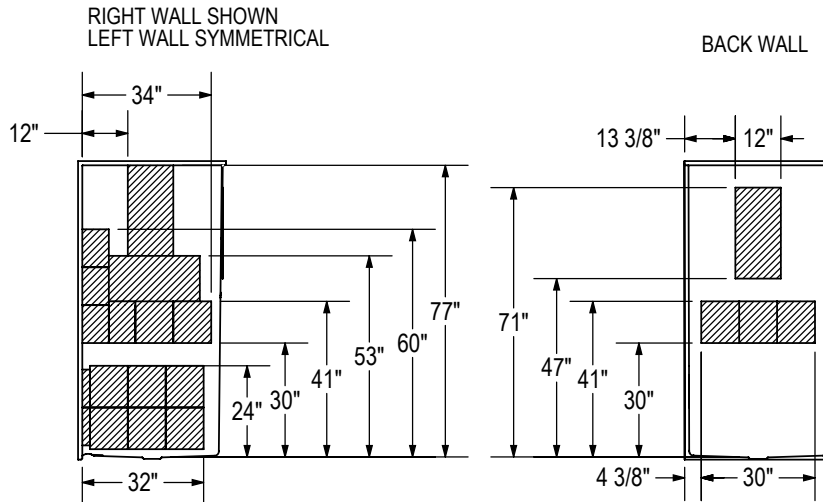
ACCESSORIES

No	Description	Approx. weight	List Price
10000064	Solid Brass drain with Chrome plated Stainless Steel grid (sold separately)	N/A	\$ 35
10020632-002	36" White vinyl shower curtain with Stainless Steel hooks (sold separately)	N/A	\$ 75

OPS-3636 (cont'd)



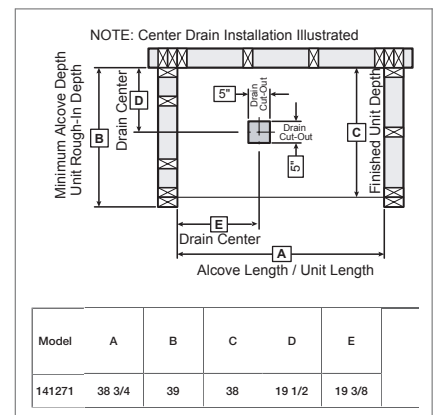
REINFORCEMENT BACKING



All dimensions are approximate. Structure measurements must be verified against the unit to ensure proper fit.

FOOTNOTES - BEFORE ORDERING, PLEASE SPECIFY:

1. R/L hand refers to grab bar positioning.
2. R/L hand refers to drain and grab bar positioning, seat will be installed on opposite side.
3. R/L hand refers to grab bar positioning, seat will be installed on opposite side.





GENERATION+ SERIES



GENERATION+
SERIES

OPS-5634G SHOWER





Prepare for **tomorrow's needs with today's styles** by choosing our always accessible, easily adaptable **GENERATION +** Series. Each model accommodates a wide **range of abilities and sensibilities**, intelligently designed to evolve as your needs do.

The **GENERATION +** products balance your priority of **comfort and peace of mind** with your desire for a modern look that never feels dated. Reinforced walls offer versatility in grab bar and seat placement - **now or in the future**. AKER's vast selection of grab bars, seats and accessories allow you the ability to customize your experience. In addition, the smooth, clean lines beckon you into a **lifetime of clean living**.



AKER **GENERATION +** products aim to promote autonomy while simplifying the user's day to day life. Each model offers a set of options and accessories for a complete customized experience. Homeowners will appreciate how AKER Outlook *plus* performs beautifully. **Options are factory-installed on the units;** whereas accessories are sold separately and therefore, can be ordered after the product is installed.

Consult product pages for the available options and accessories for each of our products.

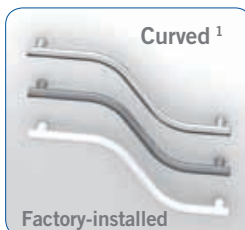
OPTIONS & ACCESSORIES

Grab Bars



Modern and stylish grab bars, featuring an easy to clean smooth surface. **Straight, Curved** or **Pivot**, available in multiple dimensions, they are ergonomically designed for your safety and comfort. Select the color that suits your style: white, chrome or brushed nickel. They can be factory-installed or purchased separately for future installation.

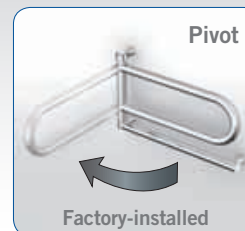
Straight: For horizontal, vertical, side walls or back wall installation.



Curved: Evolve with your reality, each of the 3 sections of the bar have a specific purpose.

Pivot: Pivots at a 180° angle and locks in place for multiple stable and secure assistance positions.

¹ Left-hand shown

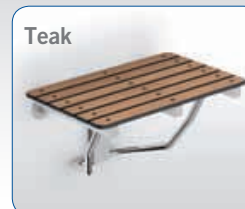


Phenolic Fold-Up Shower Seat



AKER's **GENERATION +** rectangular fold-up shower seat is 26" wide and is made with stainless steel frames and Phenolic seat tops available in white or teak. Phenolic is a high quality material that is smooth and non-porous, easy to clean and does not retain bacteria.

This fold-up seat virtually disappears in the shower when you don't need it, but is accessible when you do. All seats are designed and tested to withstand **300 lb** load capacity.



Fold Down Seat



Relax and enjoy the soothing benefits of AKER's **GENERATION +** high quality fold down shower seat made of long-lasting Polyurethane. This seat is 19" wide and has rounded, smooth edges with hinges that allow for a safe and easy side transfer while eliminating discomfort for pressure sensitive bathers.

This minimalist seat comes in white only while fixtures are available in 3 finishes (white, chrome and brushed nickel). AKER shower seats have been designed and tested to support loads up to **300 lb**.





OPTIONS & ACCESSORIES (cont'd)

Phenolic Removable Tub Shower Seat

White



AKER's **GENERATION +** rectangular removable seat is 29" wide and is made with stainless steel frames and Phenolic seat tops available in white or teak. Phenolic is a high quality material that is smooth and non-porous, easy to clean and does not retain bacteria.

Teak



The seat can be placed on the tub for safe and secure transfers or completely removed when not required to optimize space. All seats are designed and tested to withstand **300 lb** load capacity when properly installed.

Faucet Kit



Optimize your shower experience with the Outlook *plus* faucet kit. The kit includes a pressure balance mixing valve, a hand-held shower, a 24" slide bar and a 60" flexible hose. Available in chrome & brushed nickel finishes.

Curtain Rod



Chrome or stainless steel curtain rod factory installed. White vinyl shower curtain sold separately.

Shower Curtain



White anti-bacterial vinyl curtain with stainless steel hooks.

Soap Dish



Functional recessed chrome or white soap dish for optimal showering experience.

Shower Drain



Functional solid brass shower drain with chrome stainless steel grid. Quick caulk-seal feature.

MAAX® SHOWER DOORS

Enjoy the experience

MAAX offers a [wide selection of custom-fit shower door styles](#) that work seamlessly with **GENERATION+** tub shower and shower units.

Consult MAAX website for more information.

www.maax.com



REFERENCE GUIDE : GENERATION + SERIES

GENERATION + TUB SHOWER UNIT

OPTS-6032G-2P p. 377

NEW



57 x 30 x 74

GENERATION + SHOWER UNITS

OPS-6034G p. 380

NEW



59 x 34 x 73

OPS-5634G p. 383

NEW



56 x 34 x 73

OPS-4836G p. 386

NEW



48 x 36 x 76

OPS-3636G p. 389

NEW



36 x 36 x 72

SUMMARY : GENERATION + SERIES

● = NEW PRODUCT

NAME	MODEL	EXTERNAL DIMENSION	EXTERNAL DIMENSIONS	SKIRT / APRON	THRESHOLD	MATERIAL	SYSTEM	# OF PIECES	DRAIN LOCATION	SEATS	FAUCET KIT	GRAB BARS	SOAP DISH	CURTAIN ROD	SHOWER CURTAIN	SHOWER DRAIN	PAGE
GENERATION + TUB SHOWER UNIT																	
● OPTS-6032G-2P	141302	60 x 33 x 79	57 x 30 x 74	17 3/4"	N/A	Gelcoat		2P	L, R	Opt.	Opt.	Opt./Acc.	Opt.	Opt.	Acc.	N/A	377
GENERATION + SHOWER UNITS																	
● OPS-6034G	141301	63 x 37 x 76	59 x 34 x 73	2"	0	Gelcoat		1P	Center	Opt.	Opt.	Opt./Acc.	Opt.	Opt.	Acc.	Acc.	380
● OPS-5634G	141286	60 x 37 x 76	56 x 34 x 73	2"	0	Gelcoat		1P	Center	Opt.	Opt.	Opt./Acc.	Opt.	Opt.	Acc.	Acc.	383
● OPS-4836G	141285	51 x 39 x 79	48 x 36 x 76	1 1/8"	1/2"	Gelcoat		1P	Center	Opt.	Opt.	Opt./Acc.	Opt.	Opt.	Acc.	Acc.	386
● OPS-3636G	141284	39 x 39 x 75	36 x 36 x 72	2"	0	Gelcoat		1P	Center	Opt.	Opt.	Opt./Acc.	Opt.	Opt.	Acc.	Acc.	389

OPTS-6032G-2P

56 1/2" x 30 3/8" x 74" - Gelcoat
Water Capacity: Max: 39.6 gal.

- 2-piece tub shower reinforced for customized placement of grab bars and seat
- Optional grab bars, seat & soap dish
- Curtain rod, shower curtain & faucet kit also available
- Right/Left-end drain • Textured bottom
- Above-the-Floor Rough



GENERATION + TUB SHOWER UNIT

OUTLOOK PLUS SERIES MODEL

No	Model	Dimensions	Pkg	Approx. weight	Std Color(s)	Non-std Colors
141302-000	Two-piece tub shower base model ¹ 141302-R-000-XXX Right-hand drain 141302-L-000-XXX Left-hand drain R/L hand refers to drain positioning. Specify: Standard colors: White (002), Bone (004), Biscuit (007) Non-standard colors: Refer to color chart in this book.	56 1/2 X 30 3/8 X 74 in. 59 3/4 X 33 X 78 1/2 in. ext.	89.2 ft ³	186 lb	\$ 1,050	\$ 1,250

COMMON OPTIONS

No	Description	Approx. weight	List Price
OPT 20203-XXX	18 in. Modern straight grab bar (factory installed) OPT 20203-VR-XXX Right side wall (vertical) OPT 20203-VL-XXX Left side wall (vertical) OPT 20203-HR-XXX Right side wall (horizontal) OPT 20203-HL-XXX Left side wall (horizontal) Specify color: White (002), Chrome (084), Brushed Nickel (105)	N/A	\$ 140
OPT 20204-XXX	24 in. Modern straight grab bar (factory installed) OPT 20204-VR-XXX Right side wall (vertical) OPT 20204-VL-XXX Left side wall (vertical) OPT 20204-HR-XXX Right side wall (horizontal) ² OPT 20204-HL-XXX Left side wall (horizontal) ² Specify color: White (002), Chrome (084), Brushed Nickel (105)	N/A	\$ 150
OPT 20213-XXX	36 in. Modern straight grab bar (factory installed) OPT 20213-HB-XXX Back wall (horizontal) Specify color: White (002), Chrome (084), Brushed Nickel (105)	N/A	\$ 179
OPT 20214-XXX	42 in. Modern Straight grab bar - (factory installed) OPT 20214-HB-XXX Back wall (horizontal) Specify color: White (002), Chrome (084), Brushed Nickel (105)	N/A	\$ 189
OPT 20239-XXX	37 in. Modern curved grab bar (factory installed) OPT 20239-BR-XXX Right-end (back wall) ³ OPT 20239-BL-XXX Left-end (back wall) ³ Specify color: White (002), Chrome (084), Brushed Nickel (105)	N/A	\$ 294
OPT 20219-XXX	Pivot grab bar (factory installed) OPT 20219-BR-XXX Right-end (back wall) ⁴ OPT 20219-BL-XXX Left-end (back wall) ⁴ Specify color: White (002), Chrome (084), Brushed Nickel (105)	N/A	\$ 1,034
OPT 20051-XXX	Rectangular removable Phenolic seat ² Specify color: White (002), Teak (185)	N/A	\$ 520
OPT 20236-XXX	Pressure balance mixing valve, hand held shower, 24" slide bar and 60" hose Valve and hand shower are located on drain wall. Specify color: Chrome (084), Brushed Nickel (105)	N/A	\$ 635
OPT 20240-XXX	56 in. Curtain rod (factory installed) Specify color: Chrome (084), Stainless Steel (106)	N/A	\$ 70
OPT 20059-XXX	Recessed soap dish (drilled not installed) Specify color: White (001), Chrome (084)	N/A	\$ 85

OPTS-6032G-2P (cont'd)

ACCESSORIES

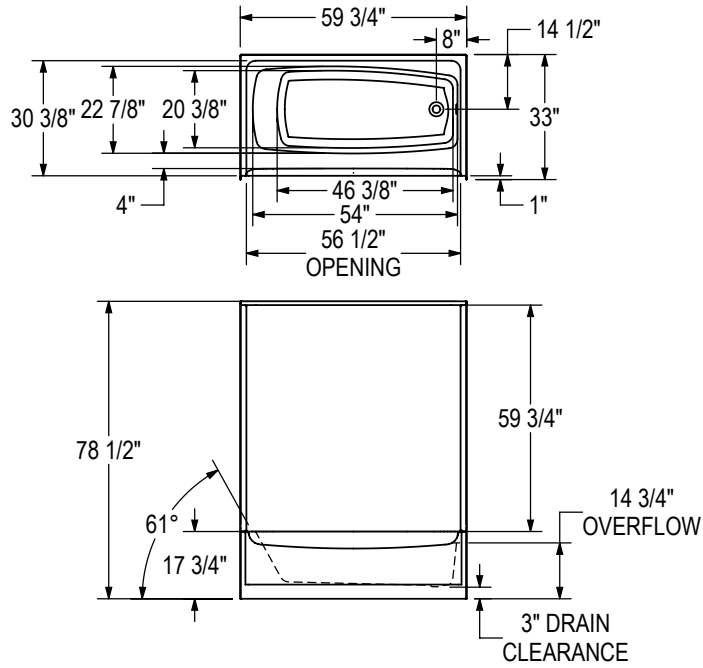
No	Description	Approx. weight	List Price
10020633-002	60 in. White vinyl shower curtain with Stainless Steel hooks (sold separately)	N/A	\$ 110
10029996-XXX	18 in. Modern straight grab bar with flange (front installation) Specify color: White (002), Chrome(084), Brushed Nickel(105)	N/A	\$ 158
10029997-XXX	24 in. Modern straight grab bar with flange (front installation) Specify color: White (002), Chrome(084), Brushed Nickel(105)	N/A	\$ 168
10029999-XXX	36 in. Modern straight grab bar with flange (front installation) Specify color: White (002), Chrome(084), Brushed Nickel(105)	N/A	\$ 189
10030084-XXX	42 in. Modern straight grab bar with flange (front installation) Specify color: White (002), Chrome(084), Brushed Nickel(105)	N/A	\$ 200
10030100-XXX	37 in. Curved left-hand grab bar with flange (front installation) ³ Specify color: White (002), Chrome(084), Brushed Nickel(105)	N/A	\$ 305
10030101-XXX	37 in. Curved right-hand grab bar with flange (front installation) ³ Specify color: White (002), Chrome(084), Brushed Nickel(105)	N/A	\$ 305

DOORS RECOMMENDED WITH THIS PRODUCT. REFER TO MAAX DOOR PRICE BOOK

No	Description
105411-XXX-XXX	Session 2-panel 54 - 59 1/2 in.
105410-XXX-XXX	Polar 2-panel 54 - 59 1/2 in.
105409-XXX-XXX	Mika 2-panel 54 - 59 1/2 in.
105487-XXX-XXX	Session 2-panel 54 - 59 1/2 in.
139398-XXX-XXX	Halo 2-panel 56 1/2-59 x 56 in.

OPTS-6032G-2P (cont'd)

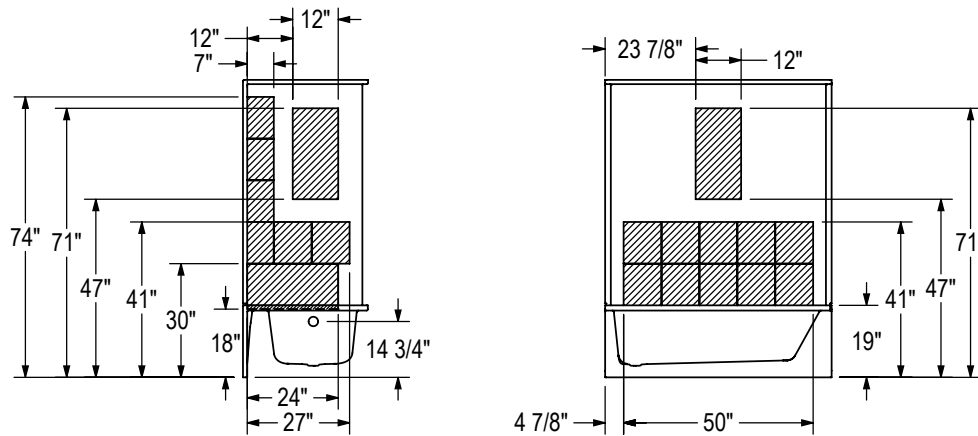
STANDARD MODEL
RIGHT DRAIN SHOWN
LEFT DRAIN SYMMETRICAL



REINFORCEMENT BACKING
RIGHT DRAIN SHOWN
LEFT DRAIN SYMMETRICAL

RIGHT WALL SHOWN
LEFT WALL SYMMETRICAL

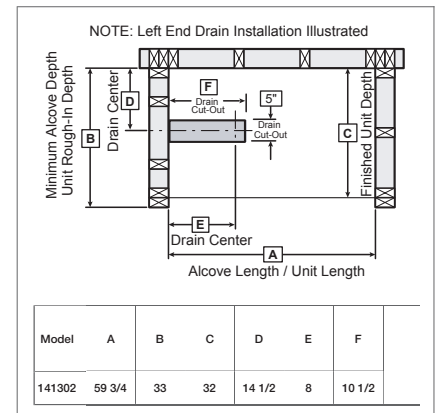
BACK WALL



All dimensions are approximate. Structure measurements must be verified against the unit to ensure proper fit.

FOOTNOTES - BEFORE ORDERING, PLEASE SPECIFY:

1. R/L hand refers to drain positioning
2. This option may not allow for door installation. Please verify measurements.
3. R/L Refers to the upper section of the grab bar.
4. R/L Refers to pivot direction.



OPS-6034G

59" x 34" x 72 1/2" - Gelcoat

- 1-piece shower reinforced for customized placement of grab bars and seat
- Optional grab bars, seat & soap dish
- Curtain rod, shower curtain, faucet kit and drain also available
- Center drain • Textured bottom

GENERATION + SHOWER UNITS



OUTLOOK PLUS SERIES MODEL

No	Model	Dimensions	Pkg	Approx. weight	Std Color(s)	Non-std Colors
141301-000	1-piece shower base model 141301-000-XXX Center drain Specify: Standard colors: White (002), Bone (004), Biscuit (007) Non-standard colors: Refer to color chart in this book.	59 X 34 X 72 1/2 in. 63 X 37 X 75 1/2 in. ext.	101.8 ft ³	200 lb	\$ 933	\$ 1033

COMMON OPTIONS

No	Description	Approx. weight	List Price
OPT 20203-XXX	18 in. Modern straight grab bar (factory installed) OPT 20203-VR-XXX Right side wall (vertical) OPT 20203-VL-XXX Left side wall (vertical) Specify color: White (002), Chrome (084), Brushed Nickel (105)	N/A	\$ 140
OPT 20204-XXX	24 in. Modern straight grab bar (factory installed) OPT 20204-VR-XXX Right side wall (vertical) OPT 20204-VL-XXX Left side wall (vertical) OPT 20204-HR-XXX Right side wall (horizontal) OPT 20204-HL-XXX Left side wall (horizontal) Specify color: White (002), Chrome (084), Brushed Nickel (105)	N/A	\$ 150
OPT 20213-XXX	36 in. Modern straight grab bar (factory installed) OPT 20213-HB-XXX Back wall (horizontal) Specify color: White (002), Chrome (084), Brushed Nickel (105)	N/A	\$ 179
OPT 20238-XXX	48 in. Modern straight grab bar (factory installed) OPT 20238-HB-XXX Back Wall (horizontal) Specify color: White (002), Chrome (084), Brushed Nickel (105)	N/A	\$ 200
OPT 20239-XXX	37 in. Modern curved grab bar (factory installed) OPT 20239-BR-XXX Right-end (back wall) ¹ OPT 20239-BL-XXX Left-end (back wall) ¹ Specify color: White (002), Chrome (084), Brushed Nickel (105)	N/A	\$ 294
OPT 20219-XXX	Pivot grab bar (factory installed) OPT 20219-BR-XXX Right-end (back wall) ² OPT 20219-BL-XXX Left-end (back wall) ² Specify color: White (002), Chrome (084), Brushed Nickel (105)	N/A	\$ 1,034
OPT 20043-XXX	Rectangular 26 in. fold-up Phenolic seat with Stainless Steel frame (factory installed) OPT 20043-R-XXX Right side wall OPT 20043-L-XXX Left side wall Specify color: White (002), Teak (185)	N/A	\$ 595
OPT 20221-XXX	Rectangular 19 in. fold down White Polyurethane seat (factory installed) OPT 20221-R-000-XXX Right side wall OPT 20221-L-000-XXX Left side wall Specify trimming color: White (002), Chrome (084), Brushed Nickel (105)	N/A	\$ 446
OPT 20236-XXX	Pressure balance mixing valve, hand held shower, 24" slide bar and 60" hose OPT 20236-R-000-XXX Right side wall OPT 20236-L-000-XXX Left side wall Specify color: Chrome (084), Brushed Nickel (105)	N/A	\$ 635
OPT 20059-XXX	Recessed soap dish (drilled not installed) Specify color: White (001), Chrome (084)	N/A	\$ 85
OPT 20241-XXX	60 in. Curtain rod (factory installed) Specify color: Chrome (084), Stainless Steel (106)	N/A	\$ 75

OPS-6034G (cont'd)

ACCESSORIES

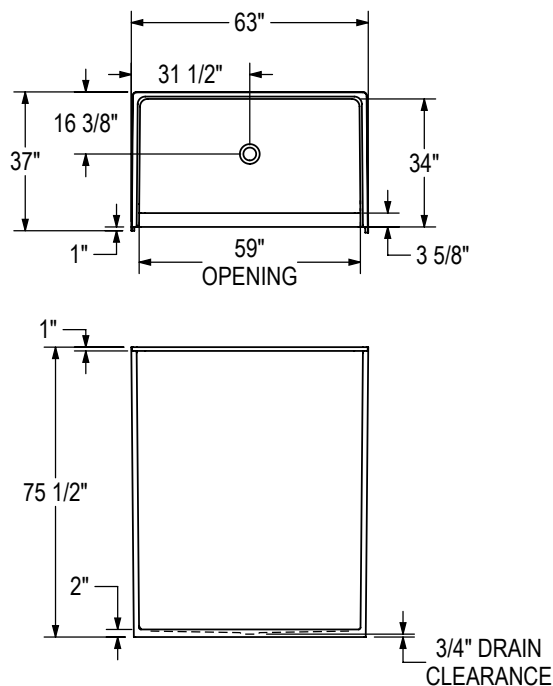
No	Description	Approx. weight	List Price
10000064	Solid Brass drain with Chrome plated Stainless Steel grid (sold separately)	N/A	\$ 35
10020633-002	60 in. White vinyl shower curtain with Stainless Steel hooks (sold separately)	N/A	\$ 110
10029996-XXX	18 in. Modern straight grab bar with flange (front installation) Specify color: White (002), Chrome(084), Brushed Nickel(105)	N/A	\$ 158
10029997-XXX	24 in. Modern straight grab bar with flange (front installation) Specify color: White (002), Chrome(084), Brushed Nickel(105)	N/A	\$ 168
10029999-XXX	36 in. Modern straight grab bar with flange (front installation) Specify color: White (002), Chrome(084), Brushed Nickel(105)	N/A	\$ 189
10030086-XXX	48 in. Modern straight grab bar with flange (front installation) Specify color: White (002), Chrome(084), Brushed Nickel(105)	N/A	\$ 210
10030100-XXX	37 in. Curved left-hand grab bar with flange (front installation) ¹ Specify color: White (002), Chrome(084), Brushed Nickel(105)	N/A	\$ 305
10030101-XXX	37 in. Curved right-hand grab bar with flange (front installation) ¹ Specify color: White (002), Chrome(084), Brushed Nickel(105)	N/A	\$ 305

DOORS RECOMMENDED WITH THIS PRODUCT. REFER TO MAAX DOOR PRICE BOOK

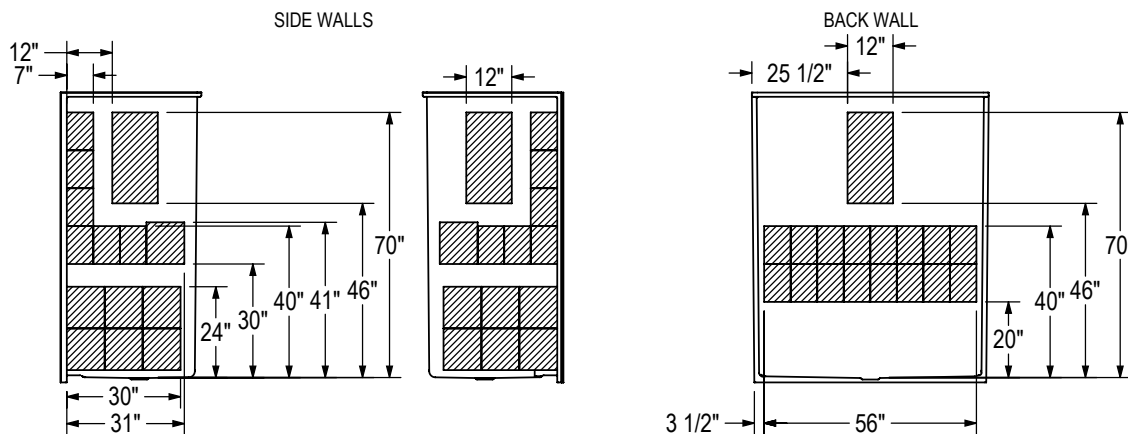
No	Description
136457-XXX-XXX	Kleara® 2-panel 54 1/2 - 57 1/2 in.
105415-XXX-XXX	Session 2-panel 54 - 59 1/2 in.
105488-XXX-XXX	Session 2-panel 54 - 59 1/2 in.
136672-XXX-XXX	Reveal 71 pivot door 56 - 59 x 71 1/2 in.

OPS-6034G (cont'd)

STANDARD MODEL



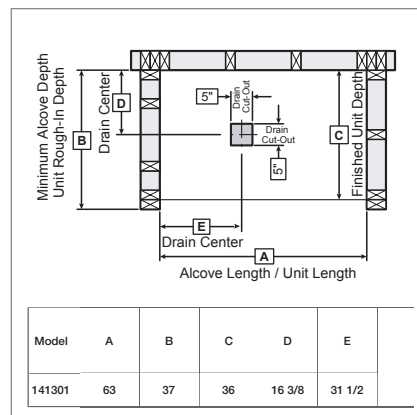
REINFORCEMENT BACKING



All dimensions are approximate. Structure measurements must be verified against the unit to ensure proper fit.

FOOTNOTES - BEFORE ORDERING, PLEASE SPECIFY:

1. R/L Refers to the upper section of the grab bar.
2. R/L Refers to pivot direction.



OPS-5634G

56" x 34" x 72 1/2" - Gelcoat

- 1-piece shower reinforced for customized placement of grab bars and seat
- Optional grab bars, seat & soap dish
- Curtain rod, shower curtain, faucet kit and drain also available
- Center drain • Textured bottom



OUTLOOK PLUS SERIES MODEL

No	Model	Dimensions	Pkg	Approx. weight	Std Color(s)	Non-std Colors
141286-000	1-piece shower base model 141286-000-XXX Center drain Specify: Standard colors: White (002), Bone (004), Biscuit (007) Non-standard colors: Refer to color chart in this book.	56 X 34 X 72 1/2 in. 59 3/4 X 37 X 75 1/2 in. ext.	96.6 ft ³	194 lb	\$ 886	\$ 986

COMMON OPTIONS

No	Description	Approx. weight	List Price
OPT 20203-XXX	18 in. Modern straight grab bar (factory installed) OPT 20203-VR-XXX Right side wall (vertical) OPT 20203-VL-XXX Left side wall (vertical) OPT 20203-HR-XXX Right side wall (horizontal) OPT 20203-HL-XXX Left side wall (horizontal) Specify color: White (002), Chrome (084), Brushed Nickel (105)	N/A	\$ 140
OPT 20204-XXX	24 in. Modern straight grab bar (factory installed) OPT 20204-VR-XXX Right side wall (vertical) OPT 20204-VL-XXX Left side wall (vertical) OPT 20204-HB-XXX Back wall (horizontal) Specify color: White (002), Chrome (084), Brushed Nickel (105)	N/A	\$ 150
OPT 20216-XXX	30 in. Modern straight grab bar - (factory installed) OPT 20216-HB-XXX Back wall (Horizontal) Specify colors: White (002), Chrome (084), Brushed Nickel (105)	N/A	\$ 168
OPT 20217-XXX	32 in. Modern curved grab bar (factory installed) OPT 20217-BR-XXX Right-end (back wall) ¹ OPT 20217-BL-XXX Left-end (back wall) ¹ Specify colors: White (002), Chrome (084), Brushed Nickel (105)	N/A	\$ 273
OPT 20219-XXX	Pivot grab bar (factory installed) OPT 20219-BR-XXX Right-end (back wall) ² OPT 20219-BL-XXX Left-end (back wall) ² Specify color: White (002), Chrome (084), Brushed Nickel (105)	N/A	\$ 1,034
OPT 20043-XXX	Rectangular 26 in. fold-up Phenolic seat with Stainless Steel frame (factory installed) OPT 20043-R-XXX Right side wall ³ OPT 20043-L-XXX Left side wall ³ Specify color: White (002), Teak (185)	N/A	\$ 595
OPT 20221-XXX	Rectangular 19 in. fold down White Polyurethane seat (factory installed) OPT 20221-R-000-XXX Right side wall OPT 20221-L-000-XXX Left side wall Specify trimming color: White (002), Chrome (084), Brushed Nickel (105)	N/A	\$ 446
OPT 20236-XXX	Pressure balance mixing valve, hand held shower, 24" slide bar and 60" hose OPT 20236-R-000-XXX Right side wall OPT 20236-L-000-XXX Left side wall Specify color: Chrome (084), Brushed Nickel (105)	N/A	\$ 635
OPT 20059-XXX	Recessed soap dish (drilled not installed) Specify color: White (001), Chrome (084)	N/A	\$ 85
OPT 20240-XXX	56 in. Curtain rod (factory installed) Specify color: Chrome (084), Stainless Steel (106)	N/A	\$ 70

OPS-5634G (cont'd)

ACCESSORIES

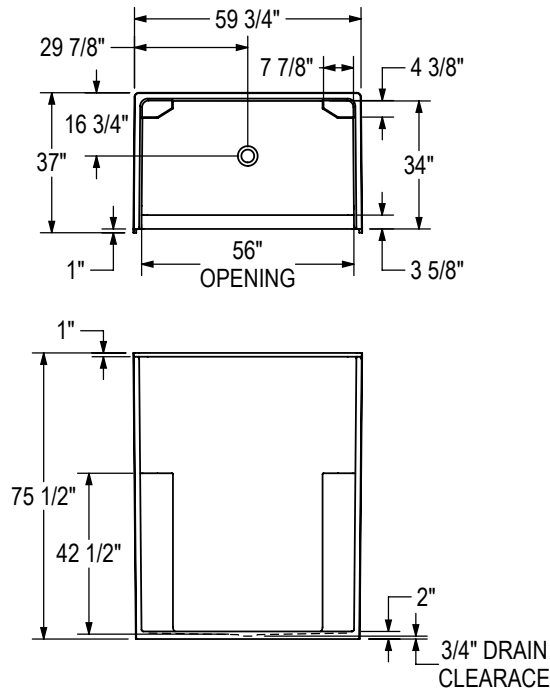
No	Description	Approx. weight	List Price
10000064	Solid Brass drain with Chrome plated Stainless Steel grid (sold separately)	N/A	\$ 35
10020633-002	60 in. White vinyl shower curtain with Stainless Steel hooks (sold separately)	N/A	\$ 110
10029996-XXX	18 in. Modern straight grab bar with flange (front installation) Specify color: White (002), Chrome(084), Brushed Nickel(105)	N/A	\$ 158
10029997-XXX	24 in. Modern straight grab bar with flange (front installation) Specify color: White (002), Chrome(084), Brushed Nickel(105)	N/A	\$ 168
10029998-XXX	30 in. Modern straight grab bar with flange (front installation) Specify color: White (002), Chrome(084), Brushed Nickel(105)	N/A	\$ 179
10030095-XXX	32 in. Curved left-hand grab bar with flange (front installation) ¹ Specify color: White (002), Chrome(084), Brushed Nickel(105)	N/A	\$ 284
10030097-XXX	32 in. Curved right-hand grab bar with flange (front installation) ¹ Specify color: White (002), Chrome(084), Brushed Nickel(105)	N/A	\$ 284

DOORS RECOMMENDED WITH THIS PRODUCT. REFER TO MAAX DOOR PRICE BOOK

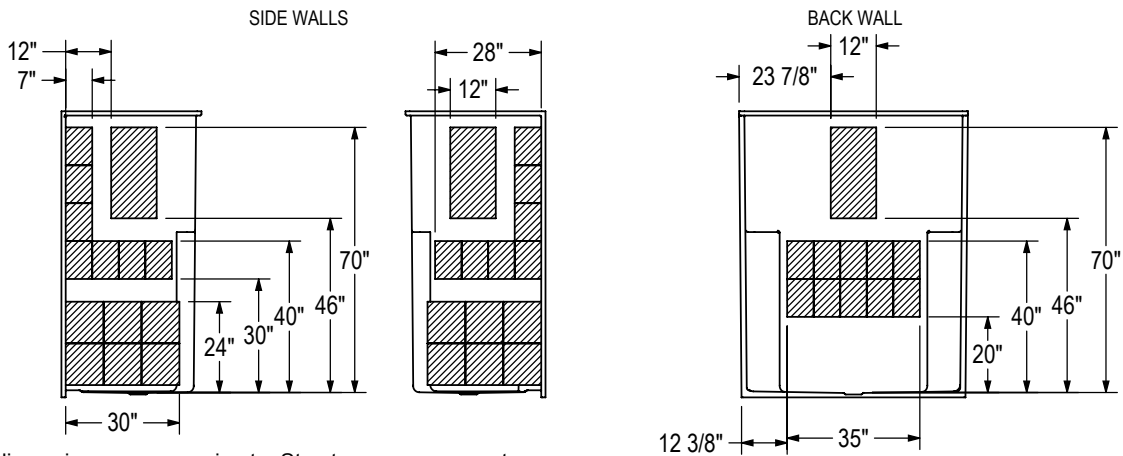
No	Description
136457-XXX-XXX	Kleara® 2-panel 54 1/2 - 57 1/2 in.
105415-XXX-XXX	Session 2-panel 54 - 59 1/2 in.
105412-XXX-XXX	Polar 2-panel 54 - 59 1/2 in.
105488-XXX-XXX	Session 2-panel 54 - 59 1/2 in.
136672-XXX-XXX	Reveal 71 pivot door 56 - 59 x 71 1/2 in.

OPS-5634G (cont'd)

STANDARD MODEL



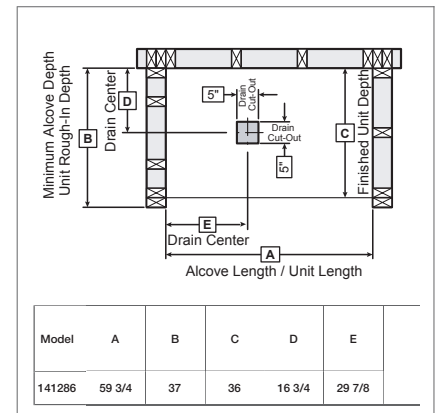
REINFORCEMENT BACKING



All dimensions are approximate. Structure measurements must be verified against the unit to ensure proper fit.

FOOTNOTES - BEFORE ORDERING, PLEASE SPECIFY:

1. R/L Refers to the upper section of the grab bar.
2. R/L Refers to pivot direction.
3. This option may not allow for shower door installation. Please verify measurements.

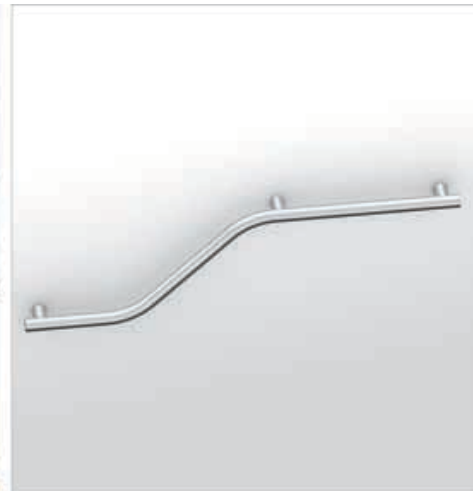


OPS-4836G

48" x 36" x 76 3/8" - Gelcoat

- 1-piece shower reinforced for customized placement of grab bars and seat
- Optional grab bars, seat & soap dish
- Curtain rod, shower curtain, faucet kit and drain also available
- Center drain • Textured bottom

GENERATION + SHOWER UNITS



OUTLOOK PLUS SERIES MODEL

No	Model	Dimensions	Pkg	Approx. weight	Std Color(s)	Non-std Colors
141285-000	1-piece shower base model 141285-000-XXX Center drain Specify: Standard colors: White (002), Bone (004), Biscuit (007) Non-standard colors: Refer to color chart in this book.	48 X 36 X 76 3/8 in. 50 1/2 X 39 X 78 1/2 ext.	89.5 ft ³	186 lb	\$ 862	\$ 962

COMMON OPTIONS

No	Description	Approx. weight	List Price
OPT 20203-XXX	18 in. Modern straight grab bar (factory installed) OPT 20203-VR-XXX Right side wall (vertical) OPT 20203-VL-XXX Left side wall (vertical) Specify color: White (002), Chrome (084), Brushed Nickel (105)	N/A	\$ 140
OPT 20204-XXX	24 in. Modern straight grab bar (factory installed) OPT 20204-VR-XXX Right side wall (vertical) OPT 20204-VL-XXX Left side wall (vertical) OPT 20204-HR-XXX Right side wall (horizontal) OPT 20204-HL-XXX Left side wall (horizontal) Specify color: White (002), Chrome (084), Brushed Nickel (105)	N/A	\$ 150
OPT 20216-XXX	30 in. Modern straight grab bar - (factory installed) OPT 20216-HB-XXX Back wall (Horizontal) Specify colors: White (002), Chrome (084), Brushed Nickel (105)	N/A	\$ 168
OPT 20213-XXX	36 in. Modern straight grab bar (factory installed) OPT 20213-HB-XXX Back wall (horizontal) Specify color: White (002), Chrome (084), Brushed Nickel (105)	N/A	\$ 179
OPT 20217-XXX	32 in. Modern curved grab bar (factory installed) OPT 20217-BR-XXX Right-end (back wall) ¹ OPT 20217-BL-XXX Left-end (back wall) ¹ Specify colors: White (002), Chrome (084), Brushed Nickel (105)	N/A	\$ 273
OPT 20219-XXX	Pivot grab bar (factory installed) OPT 20219-BR-XXX Right-end (back wall) ² OPT 20219-BL-XXX Left-end (back wall) ² Specify color: White (002), Chrome (084), Brushed Nickel (105)	N/A	\$ 1,034
OPT 20221-XXX	Rectangular 19 in. fold down White Polyurethane seat (factory installed) OPT 20221-R-000-XXX Right side wall OPT 20221-L-000-XXX Left side wall Specify trimming color: White (002), Chrome (084), Brushed Nickel (105)	N/A	\$ 446
OPT 20043-XXX	Rectangular 26 in. fold-up Phenolic seat with Stainless Steel frame (factory installed) OPT 20043-R-XXX Right side wall OPT 20043-L-XXX Left side wall Specify color: White (002), Teak (185)	N/A	\$ 595
OPT 20243-XXX	48" Curtain rod (factory installed) Specify colors: Chrome (084), Stainless Steel (106)	N/A	\$ 68
OPT 20236-XXX	Pressure balance mixing valve, hand held shower, 24" slide bar and 60" hose OPT 20236-R-000-XXX Right side wall OPT 20236-L-000-XXX Left side wall Specify color: Chrome (084), Brushed Nickel (105)	N/A	\$ 635
OPT 20059-XXX	Recessed soap dish (drilled not installed) Specify color: White (001), Chrome (084)	N/A	\$ 85

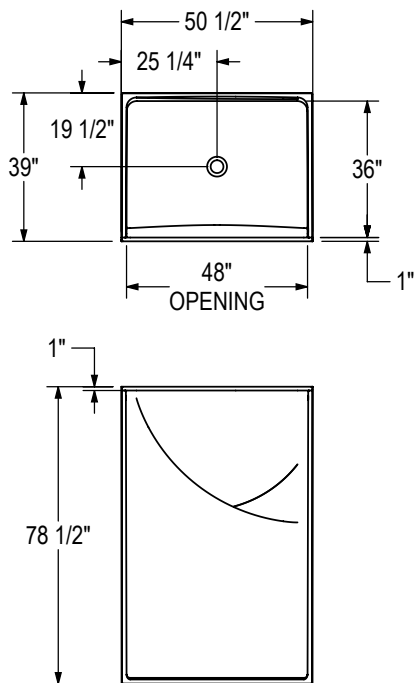
OPS-4836G (cont'd)

ACCESSORIES

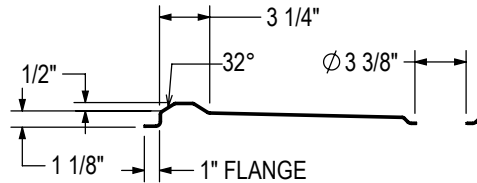
No	Description	Approx. weight	List Price
10029996-XXX	18 in. Modern straight grab bar with flange (front installation) Specify color: White (002), Chrome(084), Brushed Nickel(105)	N/A	\$ 158
10029997-XXX	24 in. Modern straight grab bar with flange (front installation) Specify color: White (002), Chrome(084), Brushed Nickel(105)	N/A	\$ 168
10029998-XXX	30 in. Modern straight grab bar with flange (front installation) Specify color: White (002), Chrome(084), Brushed Nickel(105)	N/A	\$ 179
10029999-XXX	36 in. Modern straight grab bar with flange (front installation) Specify color: White (002), Chrome(084), Brushed Nickel(105)	N/A	\$ 189
10030095-XXX	32 in. Curved left-hand grab bar with flange (front installation) ¹ Specify color: White (002), Chrome(084), Brushed Nickel(105)	N/A	\$ 284
10030097-XXX	32 in. Curved right-hand grab bar with flange (front installation) ¹ Specify color: White (002), Chrome(084), Brushed Nickel(105)	N/A	\$ 284
10000064	Solid Brass drain with Chrome plated Stainless Steel grid (sold separately)	N/A	\$ 35
10007608-002	48 in. White vinyl shower curtain with Stainless Steel Hooks (sold separately)	N/A	\$ 85

OPS-4836G (cont'd)

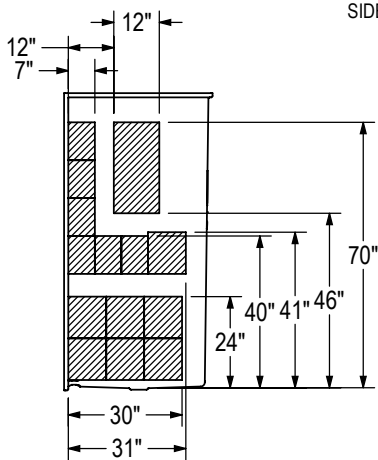
STANDARD MODEL



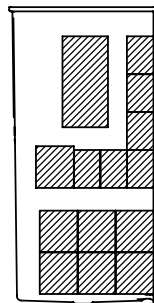
THRESHOLD DETAIL



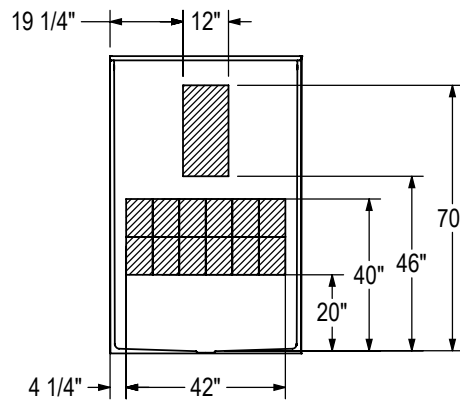
REINFORCEMENT BACKING



SIDE WALLS



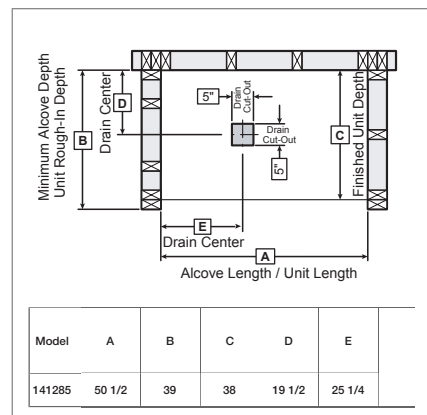
BACK WALL



All dimensions are approximate. Structure measurements must be verified against the unit to ensure proper fit.

FOOTNOTES - BEFORE ORDERING, PLEASE SPECIFY:

1. R/L Refers to the upper section of the grab bar.
2. R/L Refers to pivot direction.



OPS-3636G

36" x 36" x 72 1/4" - Gelcoat

- 1-piece shower reinforced for customized placement of grab bars and seat
- Optional grab bars, seat & soap dish
- Curtain rod, shower curtain, faucet kit and drain also available
- Center drain • Textured bottom • Integrated shelf



GENERATION + SHOWER UNITS

OUTLOOK PLUS SERIES MODEL

No	Model	Dimensions	Pkg	Approx. weight	Std Color(s)	Non-std Colors
141284-000-XXX	1-piece shower base model 141284-R-000-XXX Right Shelf position, Center drain 141284-L-000-XXX Left Shelf position, Center drain Specify: Standard colors: White (002), Bone (004), Biscuit (007) Non-standard colors: Refer to color chart in this book.	36 X 36 X 72 1/4 in. 38 1/2 X 38 3/4 X 75 1/4 in. ext.	64.5 ft ³	162 lb	\$ 838	\$ 938

COMMON OPTIONS

No	Description	Approx. weight	List Price
OPT 20203-XXX	18 in. Modern straight grab bar (factory installed) OPT 20203-VR-XXX Right side wall (vertical) OPT 20203-VL-XXX Left side wall (vertical) Specify color: White (002), Chrome(084), Brushed Nickel(105)	N/A	\$ 140
OPT 20204-XXX	24 in. Modern straight grab bar (factory installed) OPT 20204-VR-XXX Right side wall (vertical) OPT 20204-VL-XXX Left side wall (vertical) OPT 20204-HR-XXX Right side wall (horizontal) OPT 20204-HL-XXX Left side wall (horizontal) OPT 20204-HB-XXX Back wall (horizontal) Specify color: White (002), Chrome (084), Brushed Nickel (105)	N/A	\$ 150
OPT 20218-XXX	23 in. Modern curved grab bar - (factory installed) OPT 20218-BR-XXX Right-end (back wall) ¹ OPT 20218-BL-XXX Left-end (back wall) ¹ Specify colors: White (002), Chrome (084), Brushed Nickel (105)	N/A	\$ 252
OPT 20221-XXX	Rectangular 19 in. fold down White Polyurethane seat (factory installed opposite shelf) Specify trimming color: White (002), Chrome (084), Brushed Nickel (105)	N/A	\$ 446
OPT 20043-XXX	26 in. rectangular fold up Phenolic seat with Stainless Steel frame (factory installed opposite shelf) Specify color: White (002), Teak (185)	N/A	\$ 595
OPT 10225-XXX	36" Curtain rod (factory installed) Specify color: Chrome (084), Stainless Steel (106)	N/A	\$ 55
OPT 20236-XXX	Pressure balance mixing valve, hand held shower, 24" slide bar and 60" hose (factory installed on shelf side) Specify color: Chrome (084), Brushed Nickel (105)	N/A	\$ 635
OPT 20059-XXX	Recessed soap dish (drilled not installed) Specify color: White (001), Chrome (084)	N/A	\$ 85

ACCESSORIES

No	Description	Approx. weight	List Price
10029996-XXX	18 in. Modern straight grab bar with flange (front installation) Specify color: White (002), Chrome(084), Brushed Nickel(105)	N/A	\$ 158
10029997-XXX	24 in. Modern straight grab bar with flange (front installation) Specify color: White (002), Chrome(084), Brushed Nickel(105)	N/A	\$ 168
10030093-XXX	23 in. Curved left-hand grab bar with flange (front installation) Specify color: White (002), Chrome(084), Brushed Nickel(105)	N/A	\$ 263
10030094-XXX	23 in. Curved right-hand grab bar with flange (front installation) Specify color: White (002), Chrome(084), Brushed Nickel(105)	N/A	\$ 263
10000064	Solid Brass drain with Chrome plated Stainless Steel grid (sold separately)	N/A	\$ 35
10020632-002	36" White vinyl shower curtain with Stainless Steel hooks (sold separately)	N/A	\$ 75

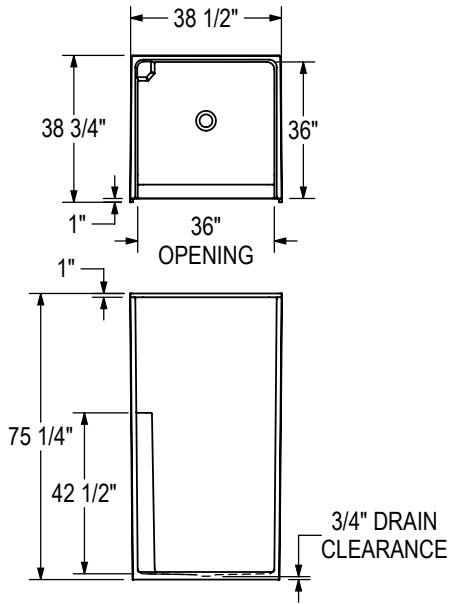
OPS-3636G (cont'd)

DOORS RECOMMENDED WITH THIS PRODUCT. REFER TO MAAX DOOR PRICE BOOK

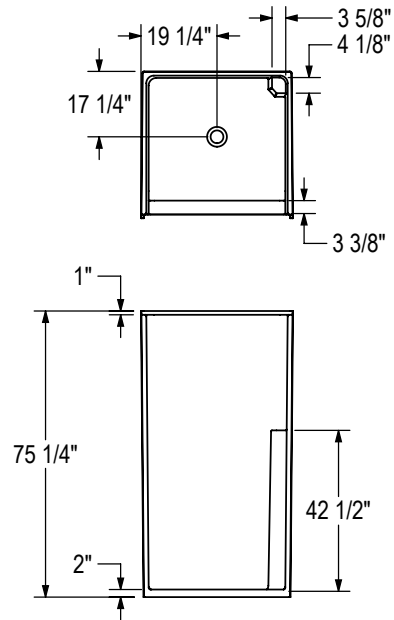
No	Description
136435-XXX-XXX	Pivolok Deluxe 1-panel 32 1/2 - 37 in.
105418-XXX-XXX	Madono 1-panel 34 1/2 - 36 1/2 in.
105486-XXX-XXX	Alexa® 1-panel 34 1/2 - 36 1/2 in.

OPS-3636G (cont'd)

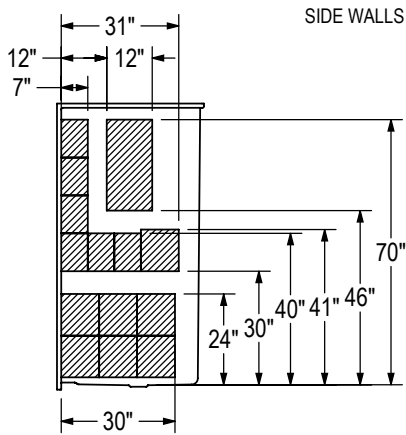
STANDARD LEFT SHELF MODEL



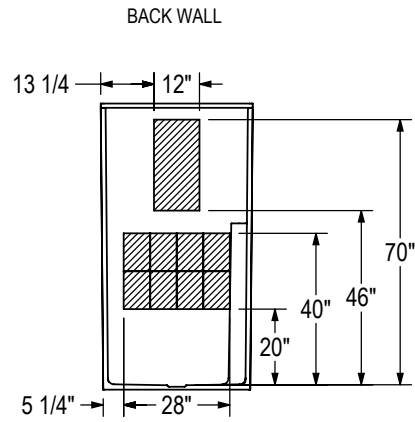
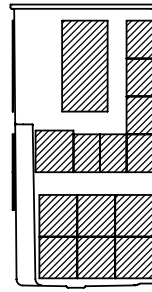
STANDARD RIGHT SHELF MODEL



REINFORCEMENT BACKING
LEFT SHELF MODEL SHOWN
RIGHT SHELF MODEL SYMMETRICAL



SIDE WALLS

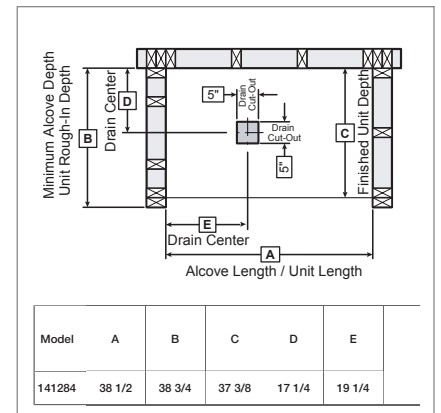


BACK WALL

All dimensions are approximate. Structure measurements must be verified against the unit to ensure proper fit.

FOOTNOTES - BEFORE ORDERING, PLEASE SPECIFY:

- 1. R/L Refers to the upper section of the grab bar.



Recommended: **MAAX**[®] SHOWER DOORS WITH AKER **Outlook***plus*[™] UNITS.

Why choose **MAAX**[®] shower doors:

- ✓ Worry-Free Experience
- ✓ Lasting Elegance
- ✓ 10-year warranty

KEY FEATURES AT A GLANCE



Soft Close

The Soft Close by MAAX feature eliminates accidental slams and pinched fingers by easing the door shut no matter how hard you slam it.



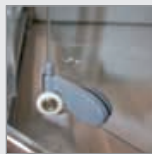
Glass Thickness

The thickness of the glass affects the overall look, feel, stability and price of a shower door. MAAX shower doors are made of first quality tempered glass and come in a variety of thicknesses: 1/4" (6 mm), 5/16" (8 mm) and 3/8" (10 mm). Choose the right thickness for the right look at the right price.



Clip and Push System

Many MAAX shower doors are equipped with easy to unclip bottom door rollers to simplify maintenance. Simply unclip, slightly push the door panel and clean away!



Reversible Header

Selected MAAX slider door headers are reversible which allow you to choose between two designs. Header styles may vary per door model.



EZ Kleen[®] Track System

MAAX doors are easy to clean. The rollers are designed to be removed easily, which makes it simple to clean. On specified alcove sliding doors, the EZ Kleen[®] track system is offered.



COLOR CHART

Panel Finishes (Tempered Glass)



CLEAR (900)



DESIGN #49 (949)



DESIGN #53 (953)



EFFERVESCENCE



FROST (986)



HAMMER (965)



LINEN



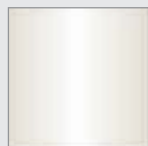
MISTELITE (981)



RAINDROP (970)

Note: Not all panel finishes are available for all door models and sizes.

Aluminum Frame Finishes



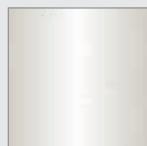
WHITE (001)-(003)



CHROME (084)



NICKEL (105)



BRUSHED NICKEL (305)



MAT SILVER (170)



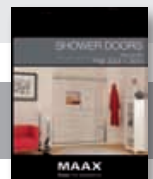
SATIN NICKEL (171)



DARK BRONZE (172)

Note: Not all aluminum frame are available for all door models and sizes.

For more information, please consult **MAAX**[®] Shower Doors Price List.



MAAX[®] SHOWER DOORS WITH OUTLOOK^{plus} UNITS

TUB SHOWER DOORS

Halo

NEW

8 ^{MM} **5/16** ^{IN.}

60 x 57 IN.

Door Opening
2-PANEL SLIDER

Frame Finish
(084)



Panel Finish
CLEAR (900)



ALCOVE SHOWER DOORS

Alexa

1-Panel

10 ^{MM} **3/8** ^{IN.}

24 1/2 - 26 1/2 x 67 IN.
28 1/2 - 30 1/2 x 67 IN.
31 1/2 - 33 1/2 x 67 IN.
34 1/2 - 36 1/2 x 67 IN.

Door Opening
1-PANEL PIVOT

Frame Finish
(084)



Panel Finish
CLEAR (900)



Polar

2-Panel

EZ

42-47 1/2 x 68 IN.
54-59 1/2 x 68 IN.

Door Opening
2-PANEL SLIDER

Frame Finish
(084) (171)



Panel Finish
RAINDROP (970)



Mika

2-Panel

EZ

54-59 1/2 x 55 1/2 IN.

Door Opening
2-PANEL SLIDER

Frame Finish
(170)



Panel Finish
HAMMER (965)



Kleara

2-Panel

6 ^{MM} **1/4** ^{IN.}

33 1/2 - 36 1/2 x 69 IN.
36 1/2 - 39 1/2 x 69 IN.
39 1/2 - 42 1/2 x 69 IN.
42 1/2 - 45 1/2 x 69 IN.
45 1/2 - 48 1/2 x 69 IN.
48 1/2 - 51 1/2 x 69 IN.
51 1/2 - 54 1/2 x 69 IN.
54 1/2 - 57 1/2 x 69 IN.
57 1/2 - 60 1/2 x 69 IN.

Door Opening
2-PANEL PIVOT

Frame Finish
(084) (105)



Panel Finish
CLEAR (900)
MISTELITE (981)



Reveal 71

NEW

8 ^{MM} **5/16** ^{IN.}

48 x 71 1/2 IN.
48 x 75 IN.
60 x 71 1/2 IN.
60 x 75 IN.

Door Opening
2-PANEL PIVOT

Reversible left or right installation

UNIQUE PATENT HINGE

Frame Finish
(084)



Panel Finish
CLEAR (900)



Polar

2-Panel

EZ

54-59 1/2 x 57 3/8 IN.

Door Opening
2-PANEL SLIDER

Frame Finish
(084) (171)



Panel Finish
RAINDROP (970)



Madono

1-Panel

6 ^{MM} **1/4** ^{IN.}

24 1/2 - 26 1/2 x 67 IN.
28 1/2 - 30 1/2 x 67 IN.
31 1/2 - 33 1/2 x 67 IN.
34 1/2 - 36 1/2 x 67 IN.

Door Opening
1-PANEL PIVOT

Frame Finish
(084)



Panel Finish
CLEAR (900)



Session

2-Panel

6 ^{MM} **1/4** ^{IN.}

R

EZ

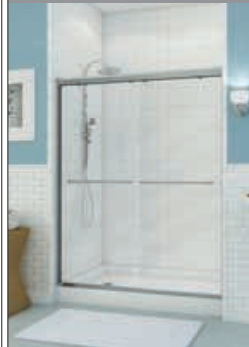
42-47 1/2 x 71 IN.
54-59 1/2 x 71 IN.

Door Opening
2-PANEL SLIDER

Frame Finish
(084) (171) (172)



Panel Finish
CLEAR (900)



Session

2-Panel

6 ^{MM} **1/4** ^{IN.}

R

EZ

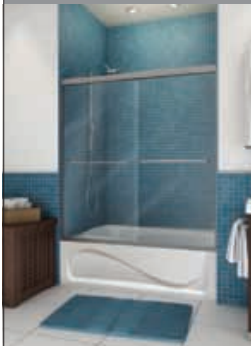
54-59 1/2 x 57 3/8 IN.

Door Opening
2-PANEL SLIDER

Frame Finish
(084) (171) (172)



Panel Finish
CLEAR (900)



Pivlok Deluxe

1-Panel

28-32 1/2 x 64 1/2 IN.
32 1/2-37 x 64 1/2 IN.

Door Opening
1-PANEL PIVOT

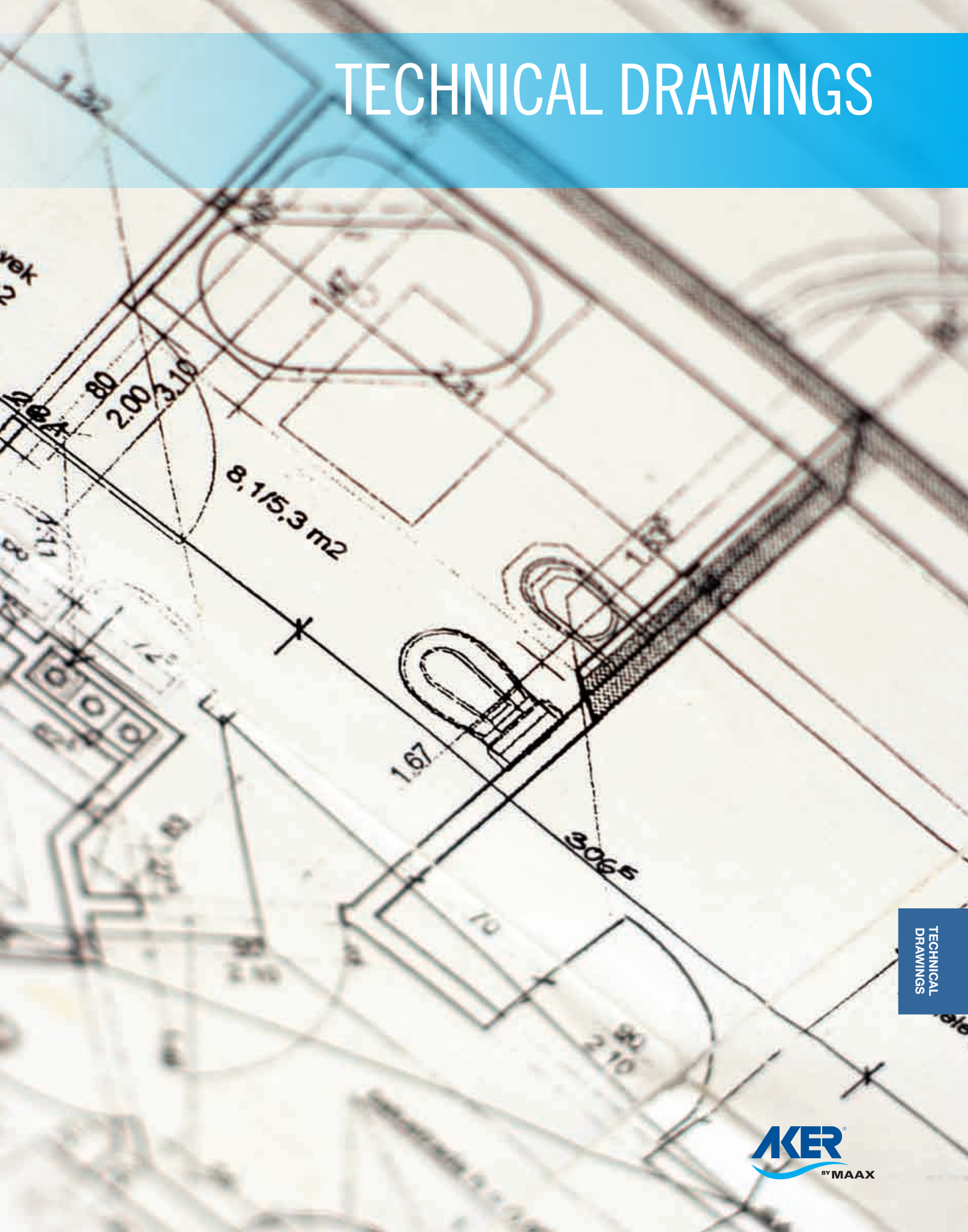
Frame Finish
(001) (084)



Panel Finish
CLEAR (900)
DESIGN #49 (949)
RAINDROP (970)
HAMMER (965)



TECHNICAL DRAWINGS



TECHNICAL
DRAWINGS

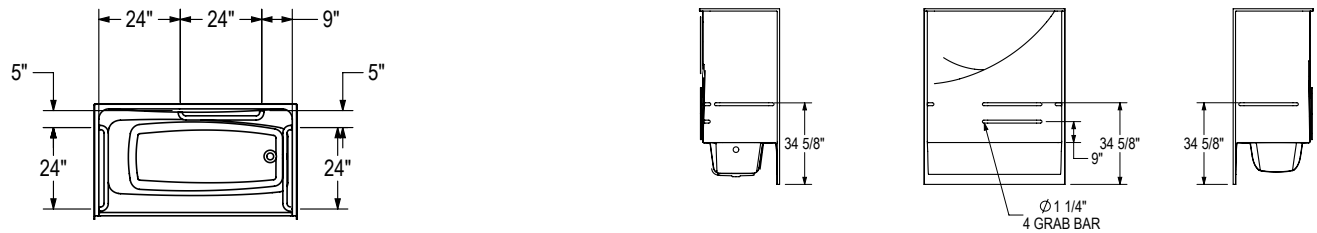


OPTS-6032 TUB SHOWER

CONFIGURATIONS

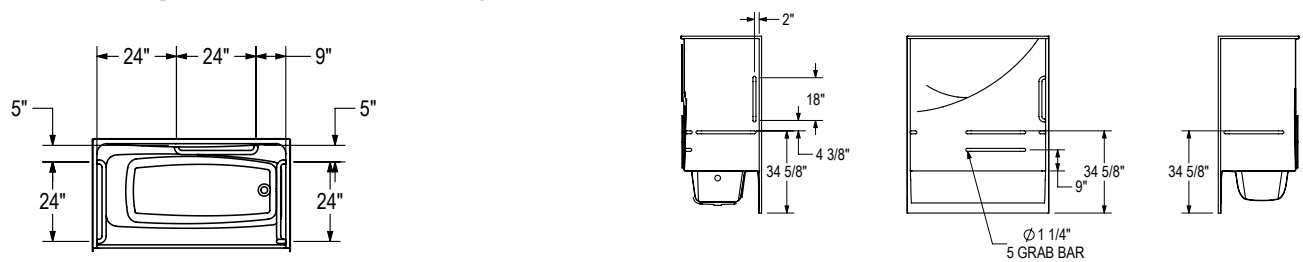
141310 - BASE MODEL WITH ADA GRAB BAR PACKAGE

Right side shown | Left side symmetrical



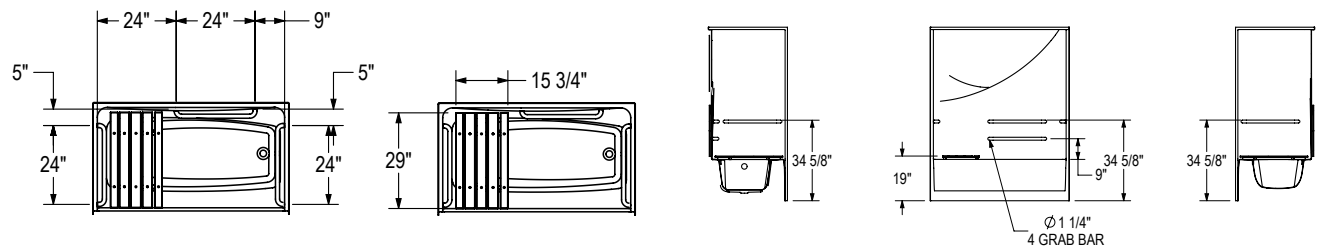
141311 - BASE MODEL WITH ANSI GRAB BAR PACKAGE

Right side shown | Left side symmetrical



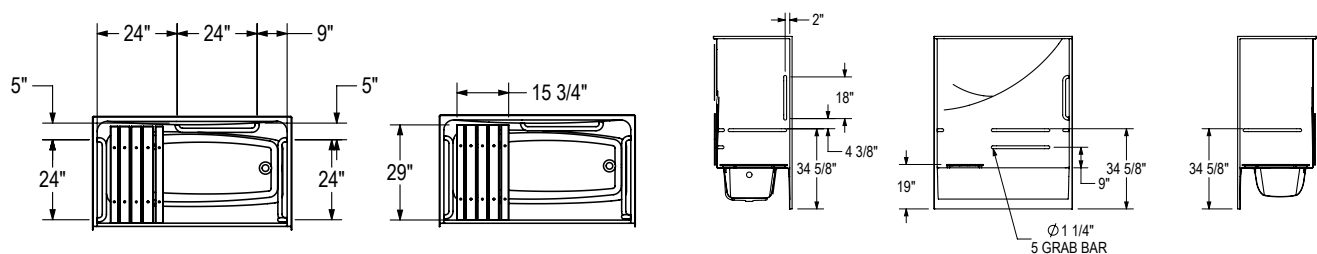
141312 - BASE MODEL WITH ADA GRAB BAR & SEAT PACKAGE

Right side shown | Left side symmetrical



141313 - BASE MODEL WITH ANSI GRAB BAR & SEAT PACKAGE

Right side shown | Left side symmetrical



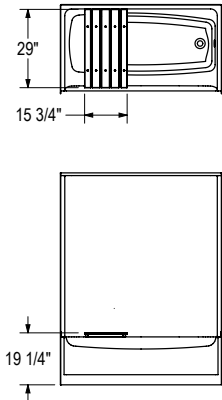
All dimensions are approximate.
Structure measurements must be verified against the unit to ensure proper fit.



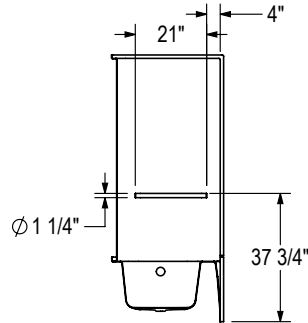
OPTS-6032G-2P - 141302

OPTIONS

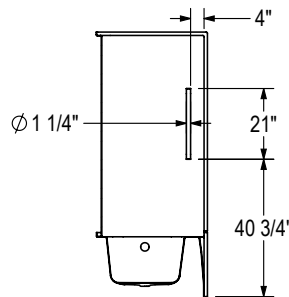
OPTION 20051



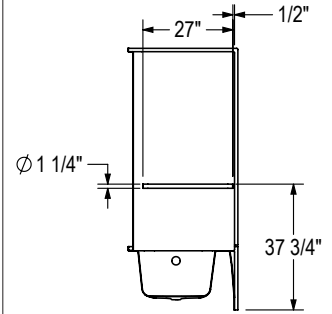
OPTION 20203 HORIZONTAL
Right wall shown
Left wall symmetrical



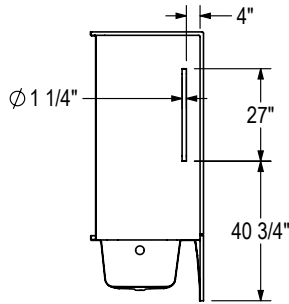
OPTION 20203 VERTICAL
Right wall shown
Left wall symmetrical



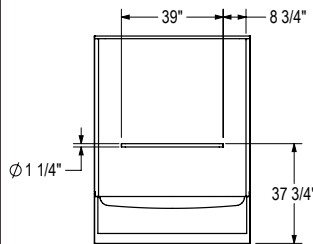
OPTION 20204 HORIZONTAL
Right wall shown
Left wall symmetrical



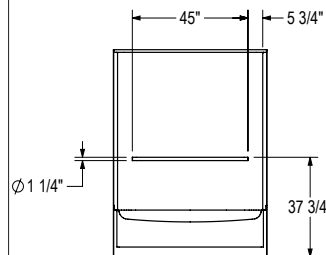
OPTION 20204 VERTICAL
Right wall shown
Left wall symmetrical



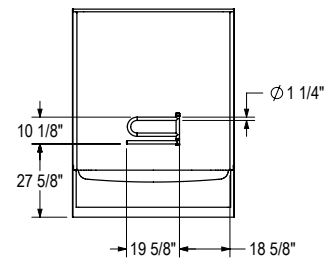
OPTION 20213
Back wall shown



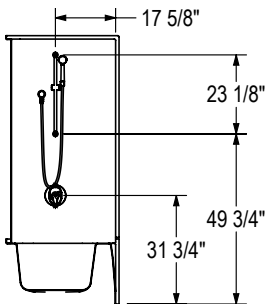
OPTION 20214
Back wall shown



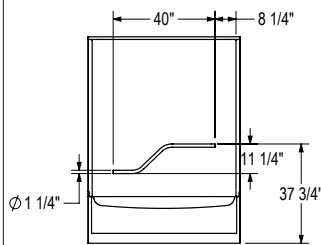
OPTION 20219
Right configuration shown
Left configuration symmetrical



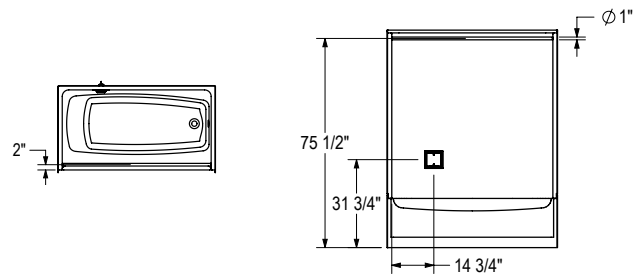
OPTION 20236
Right drain shown
Left drain symmetrical



OPTION 20239
Right configuration shown
Left configuration symmetrical



OPTION
20240 & 20059



All dimensions are approximate.
Structure measurements must be verified against the unit to ensure proper fit.

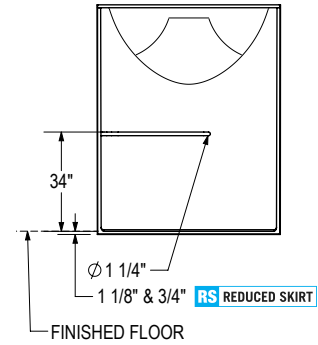
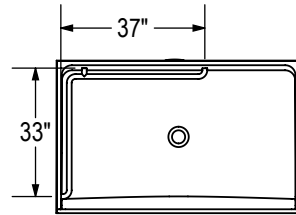


OPS-6036-RS / OPS-6036 ROLL-IN SHOWER

CONFIGURATIONS

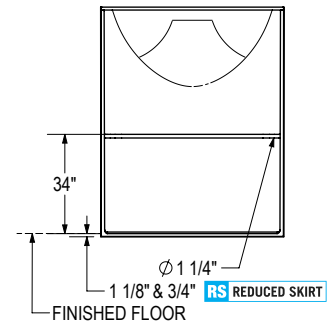
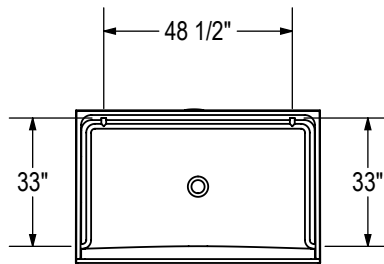
RS 141337 BASE MODEL WITH ADA/ANSI L-SHAPED GRAB BAR PACKAGE

141295 Left side shown | Right side symmetrical



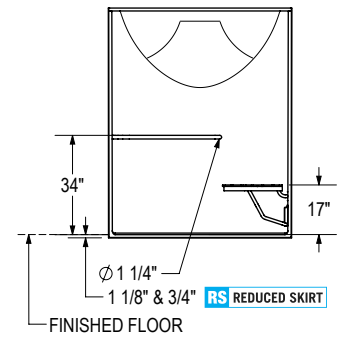
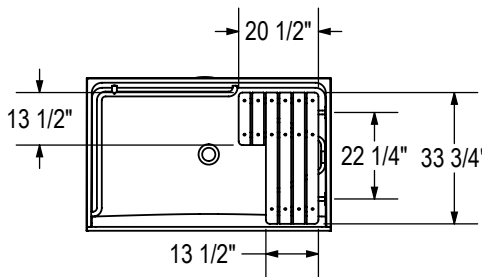
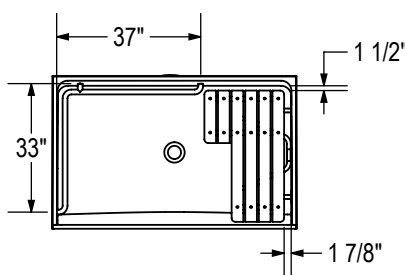
RS 141338 BASE MODEL WITH ADA U-SHAPED GRAB BAR PACKAGE

141296



RS 141339 BASE MODEL WITH ADA/ANSI L-SHAPED GRAB BAR & SEAT PACKAGE

141297 Left side shown | Right side symmetrical

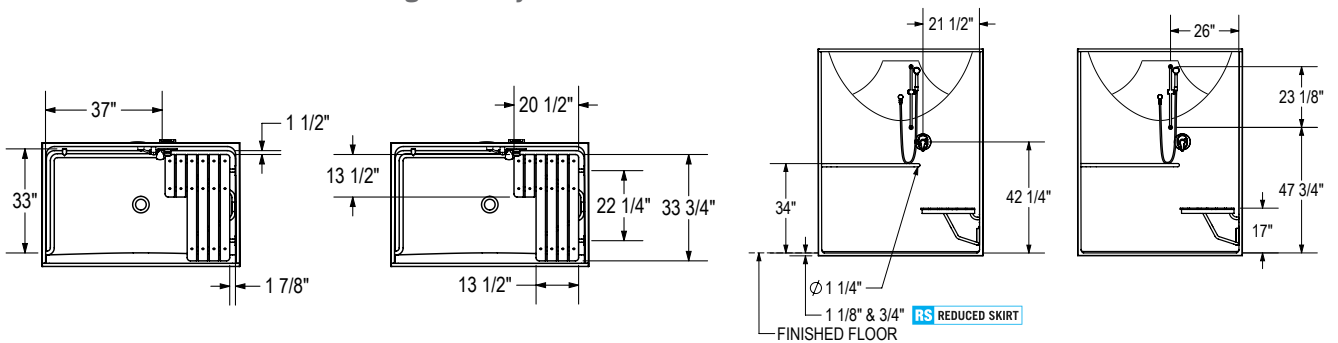


All dimensions are approximate. Structure measurements must be verified against the unit to ensure proper fit.

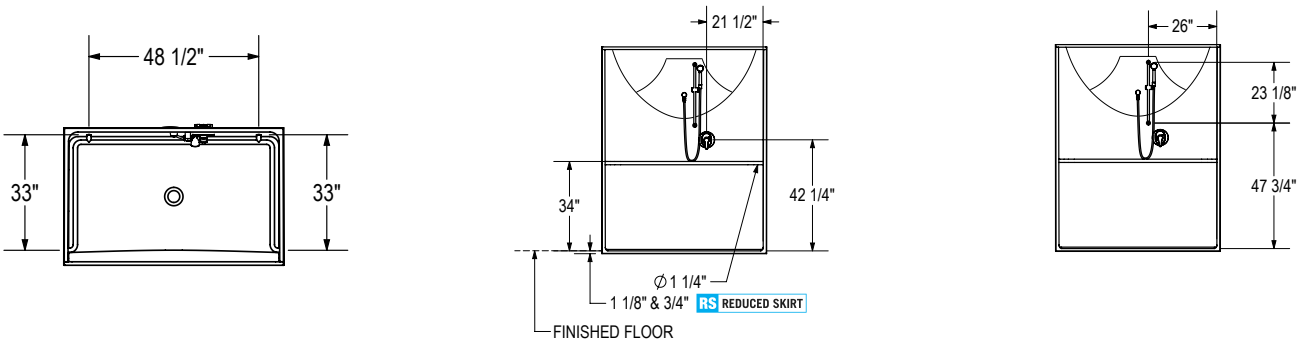


OPS-6036-RS / OPS-6036 ROLL-IN SHOWER (cont'd) CONFIGURATIONS

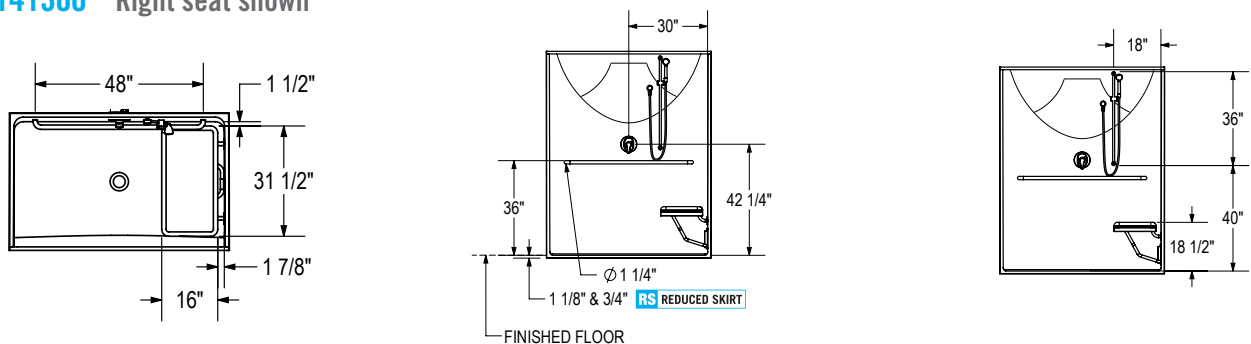
RS 141340 BASE MODEL WITH COMPLETE ADA/ANSI PACKAGE (WITH SEAT)
141298 Left side shown | Right side symmetrical



RS 141341 BASE MODEL WITH ADA PACKAGE (WITHOUT SEAT)
141299



RS 141342 BASE MODEL WITH COMPLETE MASSACHUSETTS PACKAGE
141300 Right seat shown



Also available:

RS 141381 & 141380 BASE MODEL WITH MASSACHUSETTS GRAB BAR

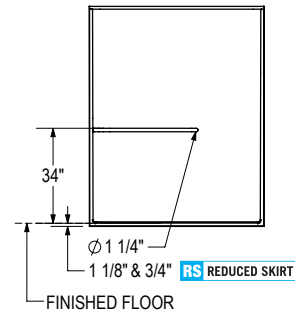
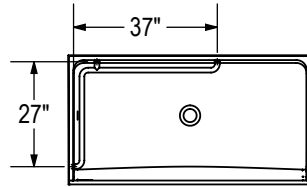
RS 141369 & 141368 BASE MODEL WITH MASSACHUSETTS GRAB BAR & SEAT

All dimensions are approximate. Structure measurements must be verified against the unit to ensure proper fit.

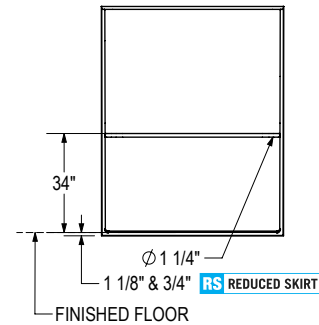
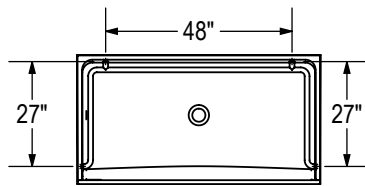


OPS-6030-RS / OPS-6030 ROLL-IN SHOWER CONFIGURATIONS

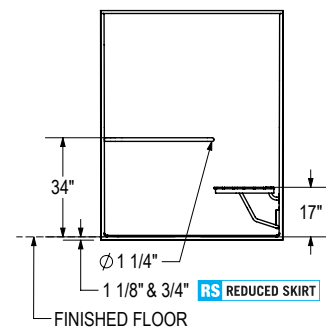
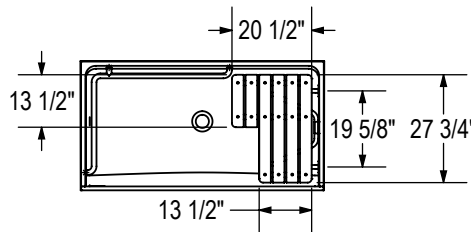
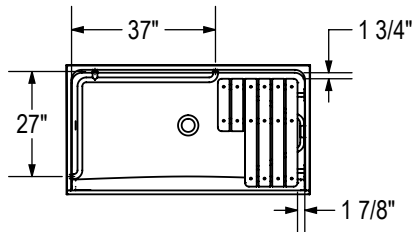
RS 141330 BASE MODEL WITH ADA/ANSI L-SHAPED GRAB BAR PACKAGE 141288 Left side shown | Right side symmetrical



RS 141331 BASE MODEL WITH ADA U-SHAPED GRAB BAR PACKAGE 141289



RS 141332 BASE MODEL WITH ADA/ANSI L-SHAPED GRAB BAR & SEAT PACKAGE 141290 Left side shown | Right side symmetrical



All dimensions are approximate. Structure measurements must be verified against the unit to ensure proper fit.

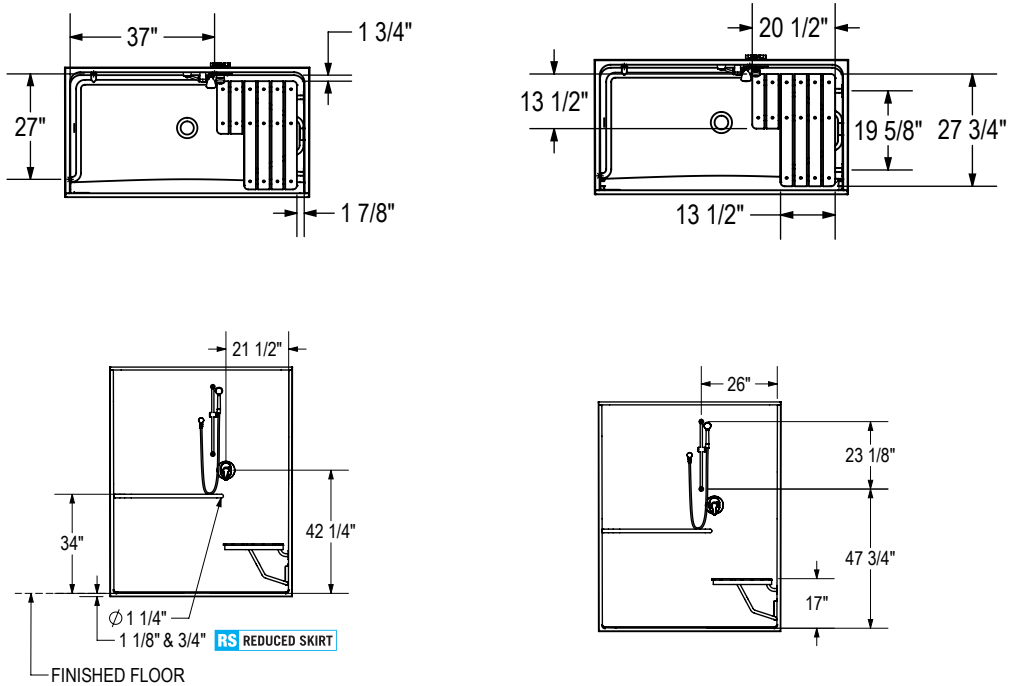


OPS-6030-RS / OPS-6030 ROLL-IN SHOWER (cont'd)

CONFIGURATIONS

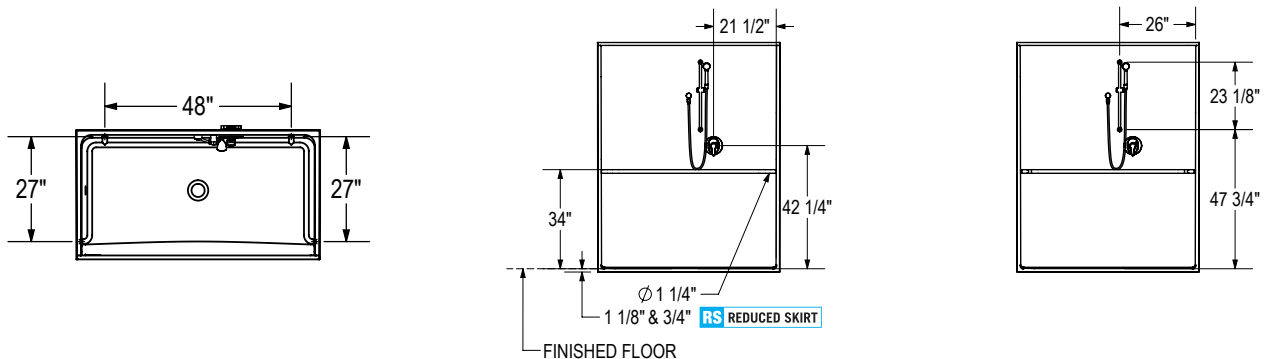
RS 141333 BASE MODEL WITH COMPLETE ADA/ANSI PACKAGE (WITH SEAT)

141291 Left side shown | Right side symmetrical



RS 141334 BASE MODEL WITH COMPLETE ADA PACKAGE (WITHOUT SEAT)

141292 Left side shown | Right side symmetrical



All dimensions are approximate. Structure measurements must be verified against the unit to ensure proper fit.

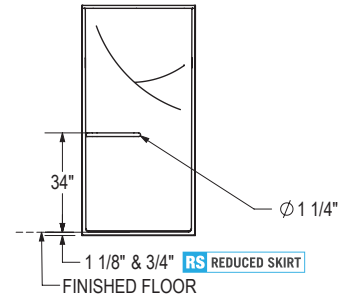
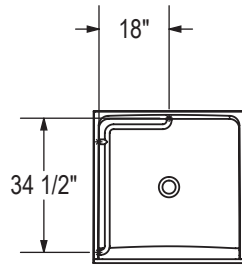


OPS-3636-RS / OPS-3636 TRANSFER SHOWER

CONFIGURATIONS

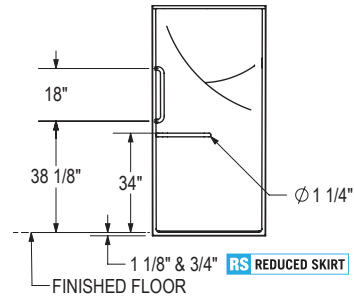
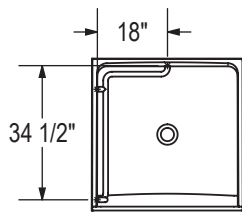
RS 141322 BASE MODEL WITH ADA GRAB BAR PACKAGE

141272 Left side shown | Right side symmetrical



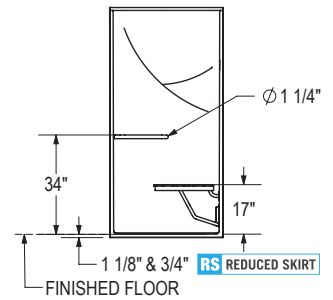
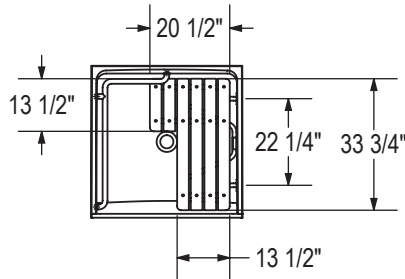
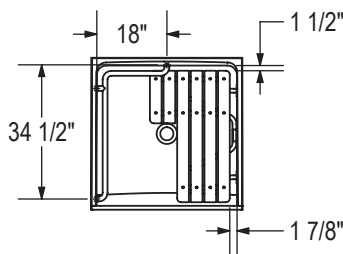
RS 141323 BASE MODEL WITH ANSI GRAB BAR PACKAGE

141273 Left side shown | Right side symmetrical



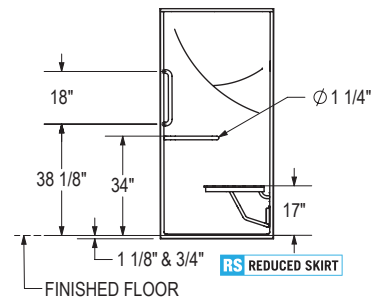
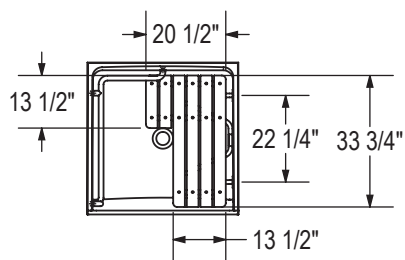
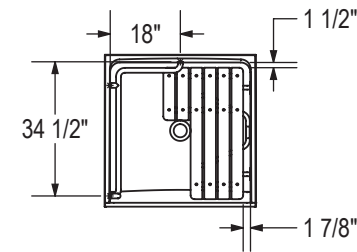
RS 141324 BASE MODEL WITH ADA GRAB BAR & SEAT PACKAGE

141274 Left side shown | Right side symmetrical



RS 141325 BASE MODEL WITH ANSI GRAB BAR & SEAT PACKAGE

141275 Left side shown | Right side symmetrical



All dimensions are approximate. Structure measurements must be verified against the unit to ensure proper fit.

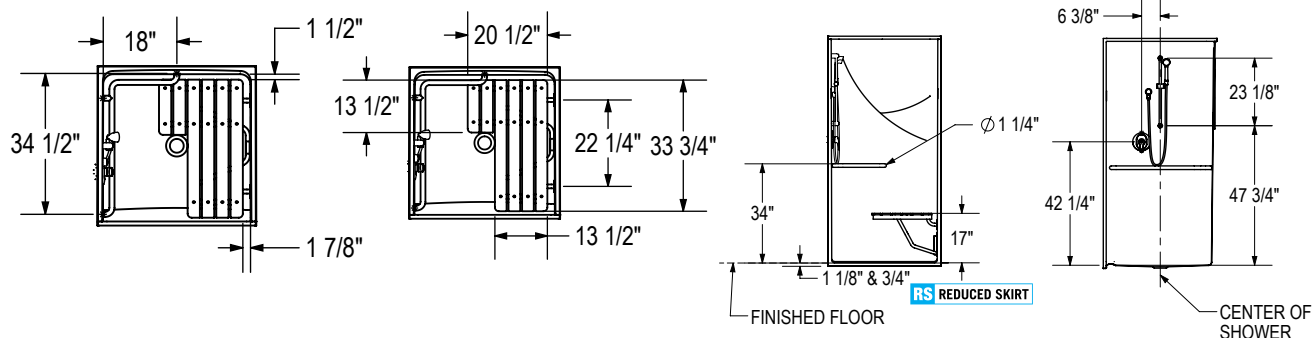


OPS-3636-RS / OPS-3636 TRANSFER SHOWER (CONT'D)

CONFIGURATIONS

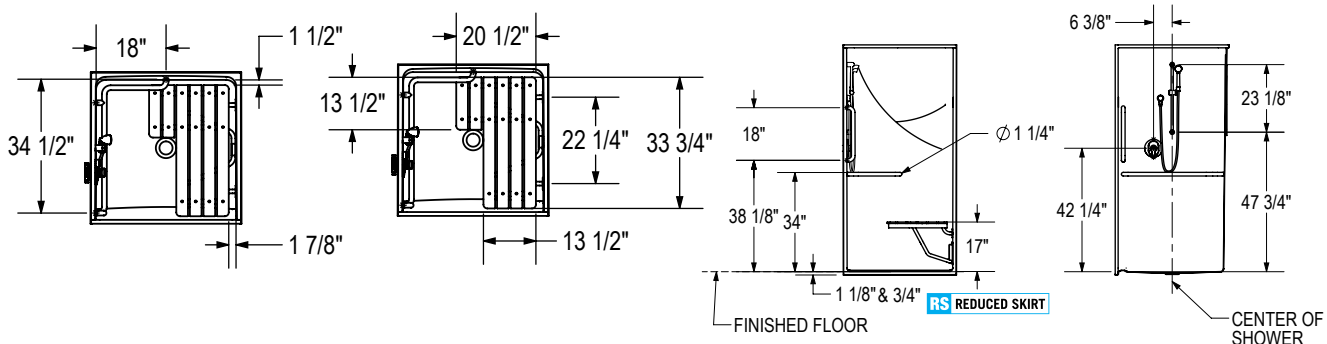
RS 141326 BASE MODEL WITH COMPLETE ADA PACKAGE

141276 Left side shown | Right side symmetrical



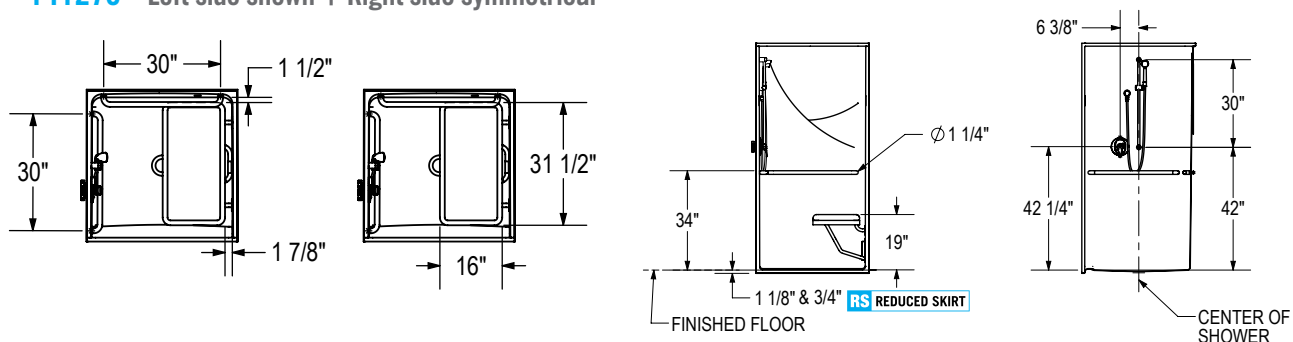
RS 141327 BASE MODEL WITH COMPLETE ANSI PACKAGE

141277 Left side shown | Right side symmetrical



RS 141328 BASE MODEL WITH COMPLETE MASSACHUSETTS PACKAGE

141278 Left side shown | Right side symmetrical



Also available:

RS 141379 & 141378 BASE MODEL WITH MASSACHUSETTS GRAB BARS

RS 141367 & 141366 BASE MODEL WITH MASSACHUSETTS GRAB BARS & SEAT

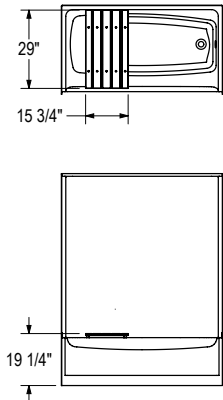
All dimensions are approximate. Structure measurements must be verified against the unit to ensure proper fit.



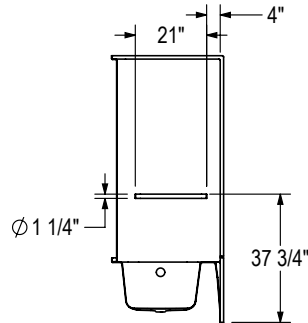
OPTS-6032G-2P - 141302

OPTIONS

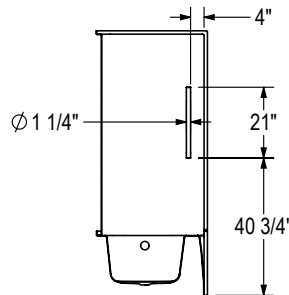
OPTION 20051



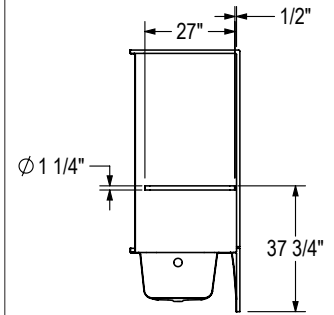
OPTION 20203 HORIZONTAL
Right wall shown
Left wall symmetrical



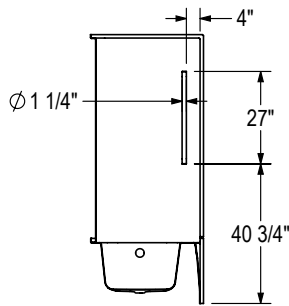
OPTION 20203 VERTICAL
Right wall shown
Left wall symmetrical



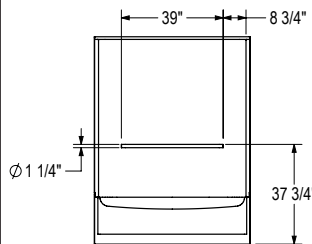
OPTION 20204 HORIZONTAL
Right wall shown
Left wall symmetrical



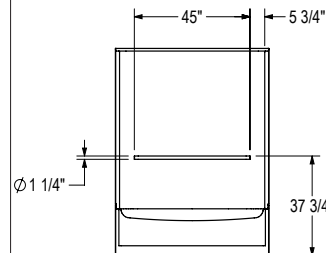
OPTION 20204 VERTICAL
Right wall shown
Left wall symmetrical



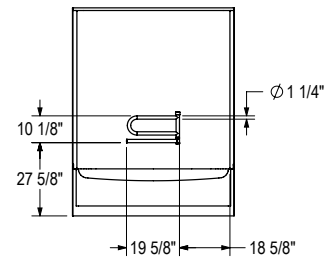
OPTION 20213
Back wall shown



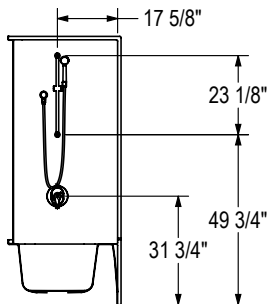
OPTION 20214
Back wall shown



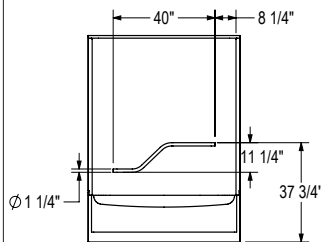
OPTION 20219
Right configuration shown
Left configuration symmetrical



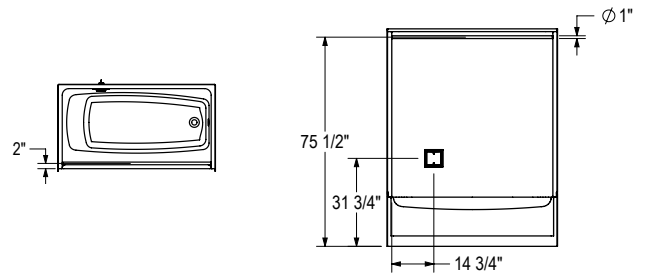
OPTION 20236
Right drain shown
Left drain symmetrical



OPTION 20239
Right configuration shown
Left configuration symmetrical



OPTION
20240 & 20059



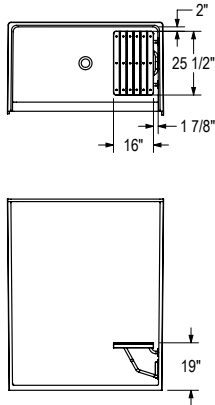
All dimensions are approximate.
Structure measurements must be verified against the unit to ensure proper fit.



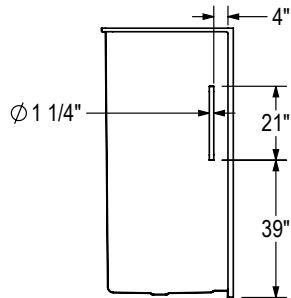
OPS-6034G - 141301

OPTIONS

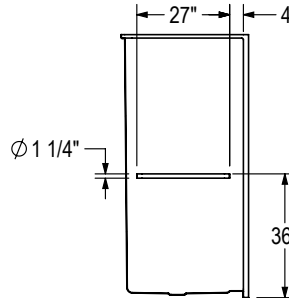
OPTION 20041
Right wall shown
Left wall symmetrical



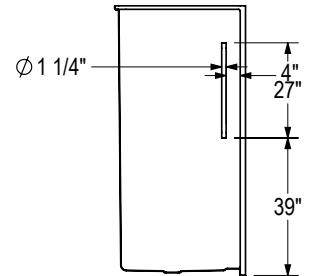
OPTION 20203 VERTICAL
Right wall shown
Left wall symmetrical



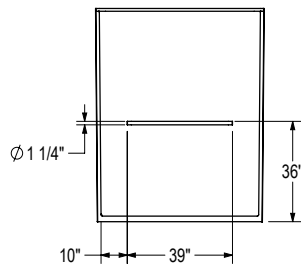
OPTION 20204 HORIZONTAL
Right wall shown
Left wall symmetrical



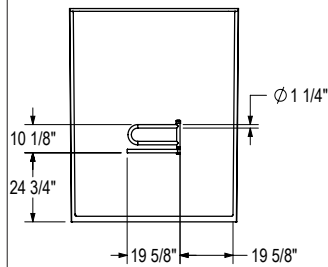
OPTION 20204 VERTICAL
Right wall shown
Left wall symmetrical



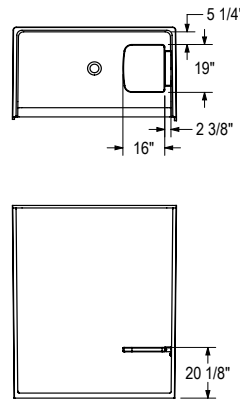
OPTION 20213
Back wall shown



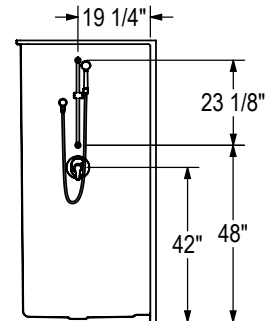
OPTION 20219
Right configuration shown
Left configuration symmetrical



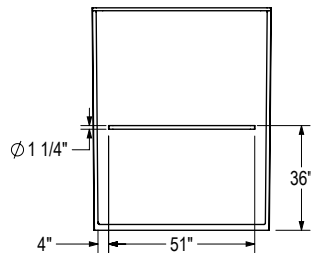
OPTION 20221
Right wall shown
Left wall symmetrical



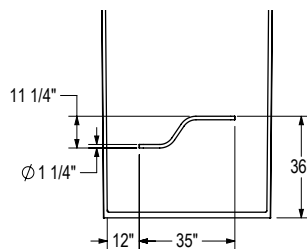
OPTION 20236
Right wall shown
Left wall symmetrical



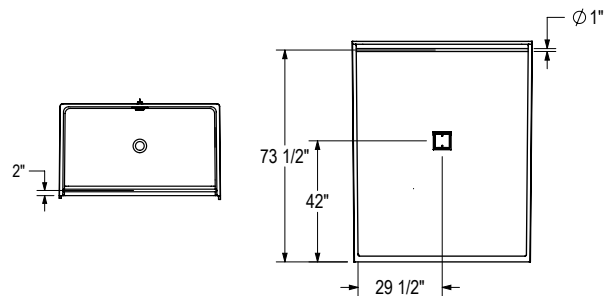
OPTION 20238
Back wall shown



OPTION 20239
Right configuration shown
Left configuration symmetrical



OPTION 20241 & 20059



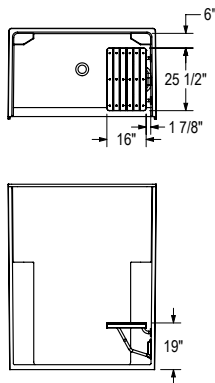
All dimensions are approximate.
Structure measurements must be verified against the unit to ensure proper fit.



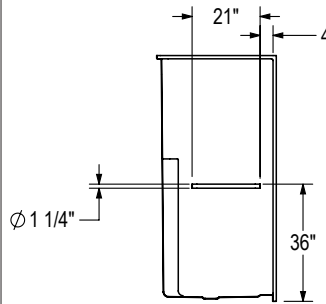
OPS-5634G - 141286

OPTIONS

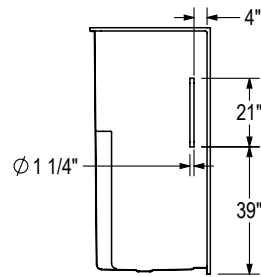
OPTION 20041
Right wall shown
Left wall symmetrical



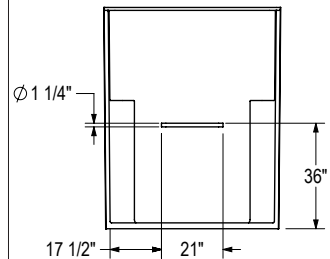
OPTION 20203 HORIZONTAL
Right wall shown
Left wall symmetrical



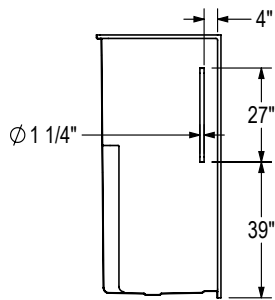
OPTION 20203 VERTICAL
Right wall shown
Left wall symmetrical



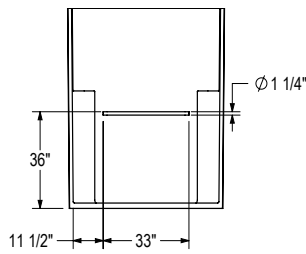
OPTION 20204 HORIZONTAL
Back wall shown



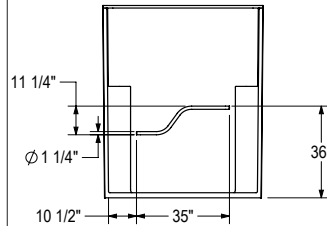
OPTION 20204 VERTICAL
Right wall shown
Left wall symmetrical



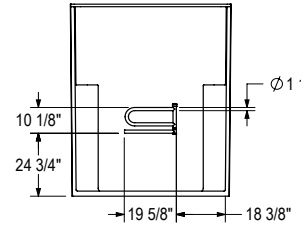
OPTION 20216 HORIZONTAL
Back wall shown



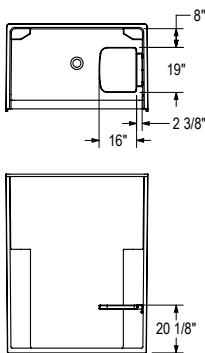
OPTION 20217
Right configuration shown
Left configuration symmetrical



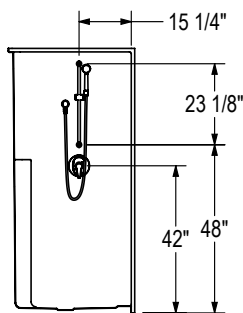
OPTION 20219
Right configuration shown
Left configuration symmetrical



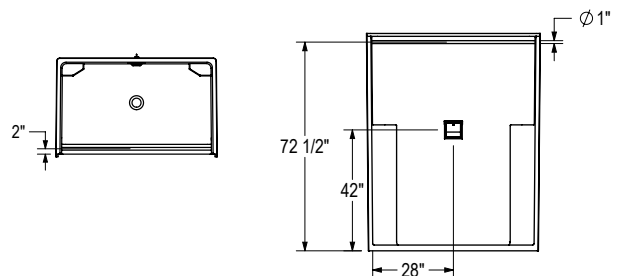
OPTION 20221
Right wall shown
Left wall symmetrical



OPTION 20236
Right wall shown
Left wall symmetrical



OPTION 20240 & 20059



All dimensions are approximate.
Structure measurements must be verified against the unit to ensure proper fit.

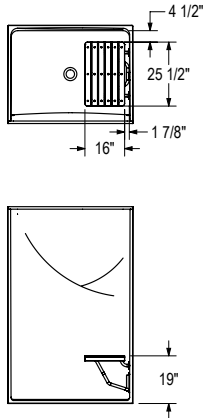


OPS-4836G - 141285

OPTIONS

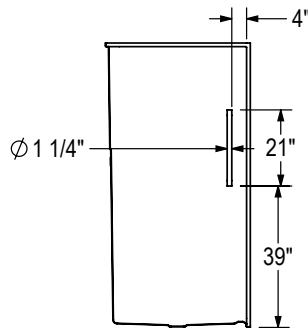
OPTION 20041

Right wall shown
Left wall symmetrical



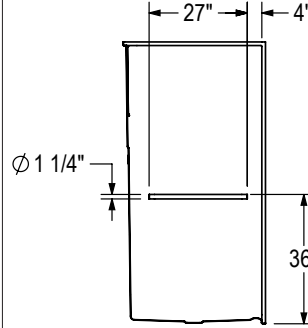
OPTION 20203 VERTICAL

Right wall shown
Left wall symmetrical



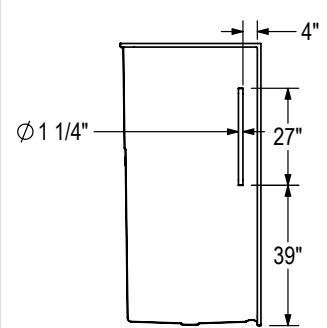
OPTION 20204 HORIZONTAL

Right wall shown
Left wall symmetrical



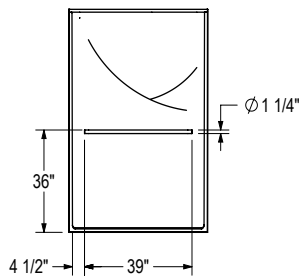
OPTION 20204 VERTICAL

Right wall shown
Left wall symmetrical



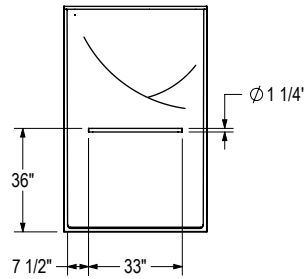
OPTION 20213 HORIZONTAL

Back wall shown



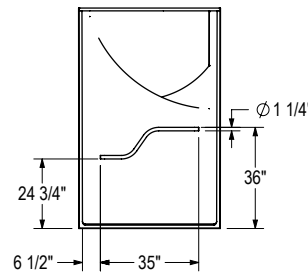
OPTION 20216 HORIZONTAL

Back wall shown



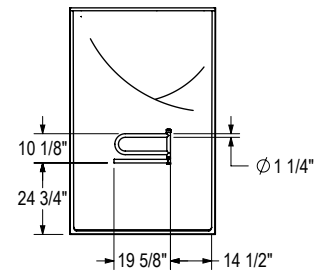
OPTION 20217

Right configuration shown
Left configuration symmetrical



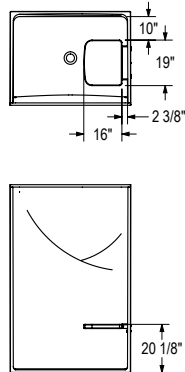
OPTION 20219

Right configuration shown
Left configuration symmetrical



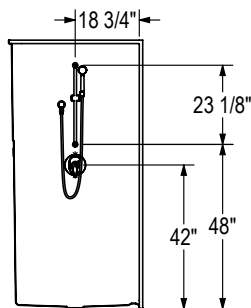
OPTION 20221

Right wall shown
Left wall symmetrical

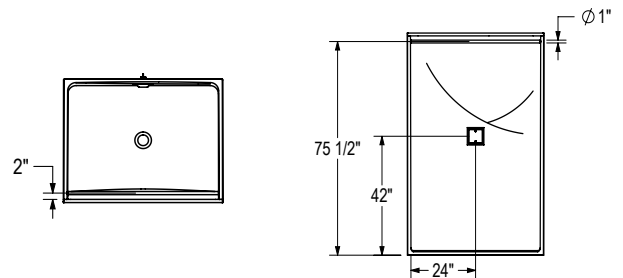


OPTION 20236

Right wall shown
Left wall symmetrical



OPTION 20243 & 20059



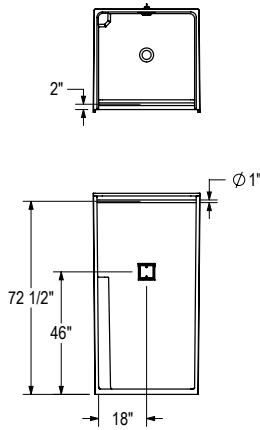
All dimensions are approximate.
Structure measurements must be verified against the unit to ensure proper fit.



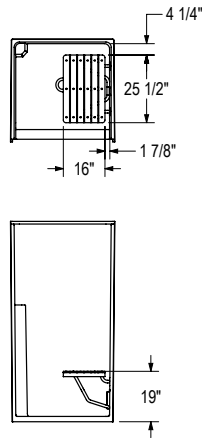
OPS-3636G - 141284

OPTIONS

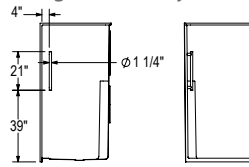
OPTION 10225 & 20059
LEFT SHELF MODEL
Left shelf model shown
Right shelf model symmetrical



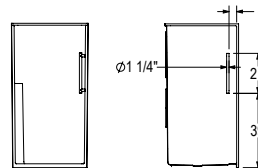
OPTION 20041
Left shelf model shown
Right shelf model symmetrical



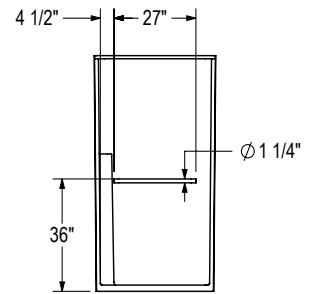
OPTION 20203
LEFT WALL VERTICAL
Left shelf model shown
Right shelf model symmetrical



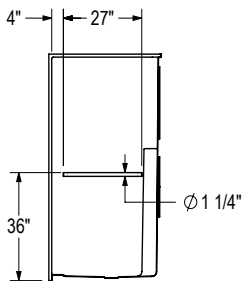
OPTION 20203
RIGHT WALL VERTICAL
Left shelf model shown
Right shelf model symmetrical



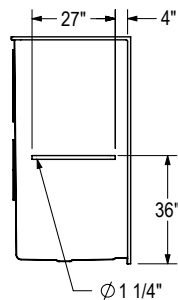
OPTION 20204
BACK WALL
Left shelf model shown
Right shelf model symmetrical



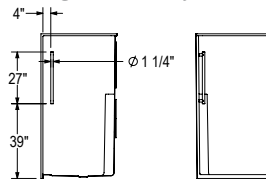
OPTION 20204
LEFT WALL HORIZONTAL
Left shelf model shown
Right shelf model symmetrical



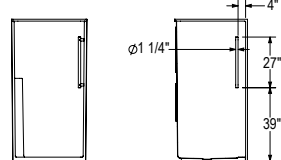
OPTION 20204
RIGHT WALL HORIZONTAL
Left shelf model shown
Right shelf model symmetrical



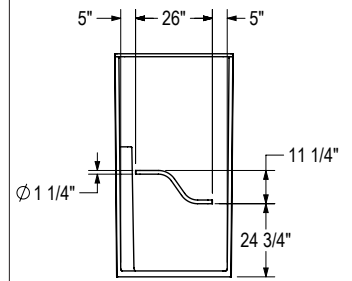
OPTION 20204
LEFT WALL VERTICAL
Left shelf model shown
Right shelf model symmetrical



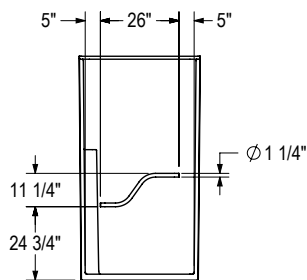
OPTION 20204
RIGHT WALL VERTICAL
Left shelf model shown
Right shelf model symmetrical



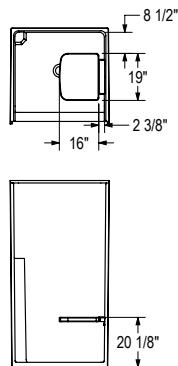
OPTION 20218
LEFT END
Left shelf model shown
Right shelf model symmetrical



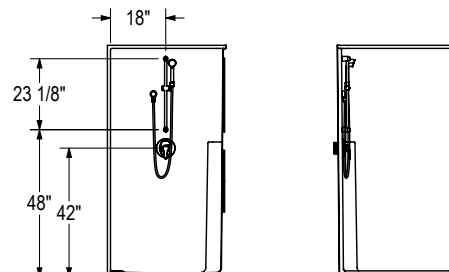
OPTION 20218
RIGHT END
Left shelf model shown
Right shelf model symmetrical



OPTION 20221
Left shelf model shown
Right shelf model symmetrical



OPTION 20236
Left shelf model shown
Right shelf model symmetrical



All dimensions are approximate.
Structure measurements must be verified against the unit to ensure proper fit.

ACCESSORIES

CURTAIN ROD

GELCOAT REPAIR KIT



PRESSURE BALANCE MIXING VALVE
& HAND-HELD SHOWER

MODERN GRAB BARS
(STRAIGHT, CURVED OR PIVOT)

RECESSED SOAP DISH



RECTANGULAR REMOVABLE
PHENOLIC SEAT

OPTS-6032 - COMPLETE ANSI PACKAGE TUB SHOWER

AKER
BY MAAX

ACCESSORIES

List of Accessories

BATHTUBS

No	Description	List Price
10017720-XXX	Acrylic Repair Kit	\$ 42
10005571-XXX	Gelcoat Repair Kit Standard Colors: White (002), Bone (004), Biscuit (007)	\$ 95
10005571-XXX	Gelcoat Repair Kit Non Standard Color	\$ 95
10070102-001	Trim kit for Bodywrap Whirlpool (ACOO-4272, ACOV-4260, ACRYOO-4272, ACSB-3260, OV-4260, OVA-4260, OVF-4260, SBOO-4272) Includes: 2 lumbar jet covers, 6 jet covers, 2 suction covers Available colors: White (001), Bone (004), Biscuit (007), Chrome (084), Polished Brass (085), Brushed Nickel (105) and Mixed Chrome & Brass (164)	\$ 215
10070102-004		\$ 215
10070102-007		\$ 215
10070102-084		\$ 399
10070102-085		\$ 536
10070102-105		\$ 641
10070102-164	\$ 630	
10070103-001	Trim kit for Bodywrap Whirlpool (CT-6060, CTF-6060) Includes: 4 lumbar jet covers, 4 jet covers, 2 suction covers Available colors: White (001), Bone (004), Biscuit (007), Chrome (084), Polished Brass (085), Brushed Nickel (105) and Mixed Chrome & Brass (164)	\$ 173
10070103-004		\$ 173
10070103-007		\$ 173
10070103-084		\$ 357
10070103-085		\$ 473
10070103-105		\$ 578
10070103-164	\$ 462	
10070104-001	Trim kit for Bodywrap Whirlpool (ACA-4272/4260, ACOV-4272, ACSB-4272/3672/4260/3660, OV-4272, SB-3672/4260/3660/3260, SBA-3660/3260, SBF-3672/3660/3260) Includes: 2 lumbar jet covers, 8 jet covers, 2 suction covers Available colors: White (001), Bone (004), Biscuit (007), Chrome (084), Polished Brass (085), Brushed Nickel (105) and Mixed Chrome & Brass (164)	\$ 252
10070104-004		\$ 252
10070104-007		\$ 252
10070104-084		\$ 436
10070104-085		\$ 551
10070104-105		\$ 656
10070104-164	\$ 541	
10070105-001	Trim kit for Bodywrap Whirlpool (GT-4860) Includes: 4 lumbar jet covers, 6 jet covers, 1 suction cover Available colors: White (001), Bone (004), Biscuit (007), Chrome (084), Polished Brass (085), Brushed Nickel (105) and Mixed Chrome & Brass (164)	\$ 231
10070105-004		\$ 231
10070105-007		\$ 231
10070105-084		\$ 415
10070105-085		\$ 530
10070105-105		\$ 635
10070105-164	\$ 520	
10070106-001	Trim kit for Bodywrap Whirlpool (ACHG-4272, ACOP-4872, ACRYC2-6060, ACSB-4872, SBHG-4272, CT2-6060, CTF2-6060) Includes: 4 lumbar jet covers, 8 jet covers, 2 suction covers Available colors: White (001), Bone (004), Biscuit (007), Chrome (084), Polished Brass (085), Brushed Nickel (105) and Mixed Chrome & Brass (164)	\$ 273
10070106-004		\$ 273
10070106-007		\$ 273
10070106-084		\$ 457
10070106-085		\$ 572
10070106-105		\$ 677
10070106-164	\$ 562	
10070108-XXX	Trim kit for Homestead Whirlpool (ACA Series, ACOV-4272/4260, ACRYOO-4272, ACSB-3672/3660/3260, CT-6060/5454, CTF-6060, GT-6060AP, OV-4272/4260, OVA-4260, OVF-4260, SB-3672/3660/3260, SBA-3660/3260, SBF-3672/3660/3260, TOF-3260/3060) Includes: 6 jet covers, 1 suction cover Available colors: White (001), Bone (004), Biscuit (007)	\$ 89
10070109-XXX	Trim kit for Homestead Whirlpool (GT-60, GT-4260) Includes: 8 jet covers, 1 suction cover Available colors: White (001), Bone (004), Biscuit (007)	\$ 100
10070110-XXX	Trim kit for Homestead Whirlpool (ACRYC2-6060, CT2-6060, CTF2-6060) Includes: 4 lumbar jet covers, 6 jet covers, 1 suction cover Available colors: White (001), Bone (004), Biscuit (007)	\$ 110

List of Accessories

TUB SHOWERS

No	Description	List Price
10017720-XXX	Acrylic Repair Kit	\$ 42
10005571-XXX	Gelcoat Repair Kit Standard Colors: White (002), Bone (004), Biscuit (007)	\$ 95
10005571-XXX	Gelcoat Repair Kit Non Standard Color	\$ 95
10028726	Light for Roofcap	\$ 184
10023942-084	Curved Shelf Rails (for 2) Available colors: Chrome (084), Polished Brass (085), Brushed Nickel (105)	\$142
10023942-085		\$172
10023942-105		\$172
10070101-001	Trim kit for Bodywrap Whirlpool (ACTS-60) Includes: 2 lumbar jet covers, 6 jet covers, 1 suction cover Available colors: White (001), Bone (004), Biscuit (007), Chrome (084), Polished Brass (085), Brushed Nickel (105) and Mixed Chrome & Brass (164)	\$ 215
10070101-004		\$ 215
10070101-007		\$ 215
10070101-084		\$ 399
10070101-085		\$ 515
10070101-105		\$ 620
10070101-164		\$ 504
10070102-001		\$ 215
10070102-004		\$ 215
10070102-007		Trim kit for Bodywrap Whirlpool (ACTS-3P-3360, ACTS-3360, ACTSDM-3360, GTW-4260) Includes: 2 lumbar jet covers, 6 jet covers, 2 suction covers Available colors: White (001), Bone (004), Biscuit (007), Chrome (084), Polished Brass (085), Brushed Nickel (105) and Mixed Chrome & Brass (164)
10070102-084	\$ 399	
10070102-085	\$ 536	
10070102-105	\$ 641	
10070102-164	\$ 630	
10070104-001	Trim kit for Bodywrap Whirlpool (SBW-3672/3360) Includes: 2 lumbar jet covers, 8 jet covers, 2 suction covers Available colors: White (001), Bone (004), Biscuit (007), Chrome (084), Polished Brass (085), Brushed Nickel (105) and Mixed Chrome & Brass (164)	\$ 252
10070104-004		\$ 252
10070104-007		\$ 252
10070104-084		\$ 436
10070104-085		\$ 551
10070104-105		\$ 656
10070104-164		\$ 541
10070108-XXX		Trim kit for Homestead Whirlpool (GB-60, KDTS-3260/3060, TS 3660) Includes: 6 jet covers, 1 suction cover Available colors: White (001), Bone (004), Biscuit (007)
10070109-XXX	Trim kit for Homestead Whirlpool (GTW-60, GTWT-4260) Includes: 8 jet covers, 1 suction cover Available colors: White (001), Bone (004), Biscuit (007)	\$ 100

SHOWERS

No	Description	List Price
10017720-XXX	Acrylic Repair Kit	\$ 42
10005571-XXX	Gelcoat Repair Kit Standard Colors: White (002), Bone (004), Biscuit (007)	\$ 95
10005571-XXX	Gelcoat Repair Kit Non Standard Color	\$ 95
10028726	Light for Roofcap	\$ 184
10023942-084	Curved Shelf Rails (for 2) Available colors: Chrome (084), Polished Brass (085), Brushed Nickel (105)	\$142
10023942-085		\$172
10023942-105		\$172

List of Accessories

GRAB BARS

No	MODERN STYLE GRAB BARS WITHOUT FLANGE ¹	List Price
10028764-XXX	18 in. Modern Straight Grab Bar Specify colors: White (002), Chrome (084), Brushed Nickel (105)	\$ 147
10028765-XXX	24 in. Modern Straight Grab Bar Specify colors: White (002), Chrome (084), Brushed Nickel (105)	\$ 158
10029248-XXX	30 in. Modern Straight Grab Bar Specify colors: White (002), Chrome (084), Brushed Nickel (105)	\$ 168
10029983-XXX	36 in. Modern Straight Grab Bar Specify colors: White (002), Chrome (084), Brushed Nickel (105)	\$ 179
10029984-XXX	42 in. Modern Straight Grab Bar Specify colors: White (002), Chrome (084), Brushed Nickel (105)	\$ 189
10029985-XXX	48 in. Modern Straight Grab Bar Specify colors: White (002), Chrome (084), Brushed Nickel (105)	\$ 200
10029251-XXX (LH) 10029252-XXX (RH)	23 in. Modern Curved Grab Bar Specify colors: White (002), Chrome (084), Brushed Nickel (105)	\$ 252
10029253-XXX (LH) 10029254-XXX (RH)	32 in. Modern Curved Grab Bar Specify colors: White (002), Chrome (084), Brushed Nickel (105)	\$ 273
10029986-XXX (LH) 10029987-XXX (RH)	47 in. Modern Curved Grab Bar Specify colors: White (002), Chrome (084), Brushed Nickel (105)	\$ 294
10029288-XXX	Pivot Grab Bar Specify colors: White (002), Chrome (084), Brushed Nickel (105)	\$ 1034
No	TRADITIONAL STYLE GRAB BARS WITHOUT FLANGE ¹	List Price
10020341-106	18" Straight Grab Bar in Textured Stainless Steel	\$ 158
10020340-106	24" Straight Grab Bar in Textured Stainless Steel	\$ 165
10020339-106	30" Straight Grab Bar in Textured Stainless Steel	\$ 175
10020336-106	48" Straight Grab Bar in Textured Stainless Steel	\$ 226
10029840-106	27" x 37" Horizontal L-Shaped Grab Bar in Textured Stainless Steel	\$ 225
10020338-106	34" x 18" Horizontal L-Shaped Grab Bar in Textured Stainless Steel	\$ 205
10029841-106	37" x 33" Horizontal L-Shaped Grab Bar in Textured Stainless Steel	\$ 235
10029842-106	27" x 60" x 27" U-Shaped Grab Bar in Textured Stainless Steel	\$ 355
10029843-106	34" x 18" x 33" U-Shaped Grab Bar in Textured Stainless Steel	\$ 375

List of Accessories

No	MODERN STYLE GRAB BARS WITH FLANGES FRONT INSTALLATION ²	List Price
10029996-XXX	18 in. Modern Straight Grab Bar with Flange (front installation) Specify colors: White (002), Chrome (084), Brushed Nickel (105)	\$ 158
10029997-XXX	24 in. Modern Straight Grab Bar with Flange (front installation) Specify colors: White (002), Chrome (084), Brushed Nickel (105)	\$ 168
10029998-XXX	30 in. Modern Straight Grab Bar with Flange (front installation) Specify colors: White (002), Chrome (084), Brushed Nickel (105)	\$ 179
10029999-XXX	36 in. Modern Straight Grab Bar with Flange (front installation) Specify colors: White (002), Chrome (084), Brushed Nickel (105)	\$ 189
10030084-XXX	42 in. Modern Straight Grab Bar with Flange (front installation) Specify colors: White (002), Chrome (084), Brushed Nickel (105)	\$ 200
10030086-XXX	48 in. Modern Straight Grab Bar with Flange (front installation) Specify colors: White (002), Chrome (084), Brushed Nickel (105)	\$ 210
10030093-XXX (LH) 10030094-XXX (RH)	23 in. Modern Curved Grab Bar with Flange (front installation) Specify colors: White (002), Chrome (084), Brushed Nickel (105)	\$ 263
10030095-XXX (LH) 10030097-XXX (RH)	32 in. Modern Curved Grab Bar with Flange (front installation) Specify colors: White (002), Chrome (084), Brushed Nickel (105)	\$ 284
10030100-XXX (LH) 10030101-XXX (RH)	37 in. Modern Curved Grab Bar with Flange (front installation) Specify colors: White (002), Chrome (084), Brushed Nickel (105)	\$ 305

SEATS

No	SEATS	List Price
10028917-XXX	Rectangular Fold-Down White Polyurethane Seat Specify trimming colors: White (002), Chrome (084), Brushed Nickel (105)	\$ 446
10020384-R-106 10020364-L-106	30" L-Shaped Fold up Phenolic White Seat with Stainless Steel Frame	\$ 595
10020382-R-106 10020362-L-106	36" L-Shaped Fold up Phenolic White Seat with Stainless Steel Frame	\$ 605
10020368-XXX	Rectangular Fold-Up Phenolic Seat with Stainless Steel Frame Specify seat colors: White (002), Teak (185)	\$ 625
10020535-XXX	Rectangular Removable Phenolic Seat Specify seat colors: White (002), Teak (185)	\$ 520
10020365	Rectangular Fold-Up White Naugahyde Seat with Stainless Steel Frame	\$ 650

FAUCETS

No	FAUCET KITS	List Price
10031718-XXX	Pressure Balance Mixing Valve & Hand-Held Shower, 24" Slide Bar and 60" Hose Specify colors: Chrome (084), Brushed Nickel (105)	\$ 605
10031719-084	Pressure Balance Mixing Valve & Hand-Held Shower, 36" Slide Bar and 60" Hose Specify colors: Chrome (084), Brushed Nickel (105)	\$ 672

1. Rear access grab bar installation. Must be secured onto unit prior to alcove unit insert.
2. Front grab bar installation. Can be secured after alcove unit insert.

List of Accessories

CURTAIN RODS AND CURTAINS

No	CURTAIN RODS	List Price
10032510-084	Curtain Rod for OPTS-6032 in Chrome	\$ 70
10032244-084	Curtain Rod for OPS-6030, OPS-6030-RS, OPS-6036 & OPS-6036 in Chrome	\$ 75
10023161-084	Curtain Rod for OPS-3636 & OPS-3636-RS in Chrome	\$ 55
10023162-XXX	Curtain Rod for OPTS-60323G-2P Specify colors: Chrome (084), Stainless Steel (106)	\$ 74
10032243-XXX	Curtain Rod for OPS-6034G Specify colors: Chrome (084), Stainless Steel (106)	\$ 79
10032242-XXX	Curtain Rod for OPS-5634G Specify colors: Chrome (084), Stainless Steel (106)	\$ 74
10032241-XXX	Curtain Rod for OPS-4836G Specify colors: Chrome (084), Stainless Steel (106)	\$ 68
10032511-XXX	Curtain Rod for OPS-3636G Specify colors: Chrome (084), Stainless Steel (106)	\$ 58
No	CURTAIN	List Price
10020632-002	36" White Vinyl Shower Curtain wuth Stainless Steel Hooks	\$ 75
10007608-002	48" White Vinyl Shower Curtain wuth Stainless Steel Hooks	\$ 85
10020633-002	60" White Vinyl Shower Curtain wuth Stainless Steel Hooks	\$ 110
No	OTHER	List Price
10000012-XXX	Recessed Soap Dish Specify colors: White (001), Chrome (084)	\$ 85
10000064	Solid Brass Drain with Chrome Stainless Steel Grid	\$ 35

Replacement Parts



No	MULTI-PIECE UNITS	List Price
142049-000	Replacement Side Wall (Left) for KDTS-2954 / KDTS-3060 / KDS-3060	\$ 123
142050-000	Replacement Side Wall (Right) for KDTS-2954 / KDTS-3060 / KDS-3060	
142052-000	Replacement Side Wall (Left) for KDTS-3260	\$ 111
142053-000	Replacement Side Wall (Right) for KDTS-3260	
142055-000	Replacement Side Wall (Left) for KDS-3232 / KDS-3636	\$ 139
142056-000	Replacement Side Wall (Right) for KDS-3232 / KDS-3636	
142058-000	Replacement Side Wall (Left) for KDS-3448 / KDS-3460	\$ 127
142059-000	Replacement Side Wall (Right) for KDS-3448 / KDS-3460	
141196-000	Replacement Base only for KD-NAS	\$ 350
141197-000	Replacement Wall section for KD-NAS	\$ 445
No	ONE-PIECE BATHTUBS	List Price
141166-000	Replacement Access Panel for GT-6060AP	\$ 144
141167-000	Replacement Access Panel for CT-5454	\$ 189
141163-000	Replacement Access Panel for ACA-3060 / 3260 / 3660 / 3666 / 3672 / 4260 / 4272	\$ 127
No	ONE-PIECE TUB SHOWERS	List Price
141164-000	Replacement Access Panel for ACTS-3360 / ACTSDM-3360	\$ 127

GENERAL INFORMATION



COLOR CHART.

ACRYLIC AND GELCOAT

Standard Colors

AKER Colors	Other Manufacturer Colors
White (001) – Acrylic (002) – Gelcoat	All Manufacturers
Bone (004)	Almond (Kohler–Eljer–Gerber) Bone (American Standard–Gerber–Toto) Classic Bone (Mansfield) Natural (Eljer) Wheat (Gerber)
Biscuit (007)	Linen (AmericanStandard) Biscuit (Kohler–Mansfield) Silk (Eljer) British Biscuit (Gerber) Sedona Beige (Toto)

GELCOAT

Non-Standard Colors

AKER Colors	Other Manufacturer Colors	AKER Colors	Other Manufacturer Colors
Black (015)	Black (American Standard–Kohler–Gerber–Mansfield) Onyx (Eljer) Ebony (Toto)	Ruby (073)	Ruby (Eljer)
Day Dream (023)	Day Dream (American Standard)	Sand Bar (143)	Sand Bar (Kohler)
Dresden Blue (021)	Dresden Blue (American Standard)	Sea Foam Green (034)	Sea Foam Green (Kohler)
Dusty Rose (071)	Dusty Rose (Eljer)	Shell (069)	Caribbean Shell (Mansfield) Seashell (Gerber) Shell (American Standard)
Fawn Beige (054)	Fawn Beige (American Standard) Jamaican Beige (Gerber)	Sky Light (028)	Sky Light (Kohler)
Glacier Blue (024)	Glacier Blue (Eljer)	Spring (169)	Spring (American Standard)
Ice Grey (017)	Ice Grey (Kohler)	Sterling Silver (006)	Classic Silver (Mansfield) Gray (Toto) Platinum (Eljer) Silverado (Gerber) Sterling Silver (American Standard)
Innocent Blush (066)	Blush (Gerber) Dawn Blush (Mansfield) Innocent Blush (Kohler) Zinfandel (Eljer)	Sunlight (168)	Sunlight (Kohler)
Logan Berry (065)	Logan Berry (American Standard)	Thunder Grey (019)	Thunder Grey (Kohler)
Mexican Sand (053)	Mexican Sand (Kohler) Sandalwood (Eljer)	Timberline (036)	Timberline (Kohler)
Peach Bisque (043)	Peach Bisque (Eljer)	Wild Rose (067)	Wild Rose (Kohler)

MAINTENANCE.

AKER uses **durable, high quality materials and innovative technology** in manufacturing and design of its products to reduce the time needed to spend cleaning and caring for them. However, proper and regular maintenance is still vital.

Follow these general use and maintenance tips, as well as any that come with the AKER products, and you will be rewarded with years of great service.

Bathtub / tub shower / shower / shower bases maintenance

- ✓ **Wipe down after every use** with a squeegee or soft cloth. This reduces the buildup from soap, bath additives, natural body oils and mineral deposits in water, making cleaning easy and helping to maintain the unit's natural luster.
- ✓ **Clean regularly** with a non-abrasive cleaning spray or cream-based cleansing agent. Never use abrasive cleansers, scrapers, metal brushes, or anything that could scratch or dull the surface.
- ✓ **Add luster to and remove fine scratches** from tub and shower surfaces by cleaning and polishing regularly with regular car wax. However, avoid waxing tub and shower bottoms as these could become slippery.
- ✓ **Help prevent dust build-up** on acrylic tub and shower surfaces with MAAX Lumashine, a special acrylic surface cleaner that creates an anti-static, dust-repellent surface as it cleans.
- ✓ **Remove plaster residue** with a plastic or wooden spatula wrapped in a moist cloth.
- ✓ **Repair nicked or damaged surfaces** immediately using MAAX repair kits for acrylic and gelcoat surfaces.



Whirlpool system maintenance

Clean piping and pump monthly. Fill the bathtub with hot water (max. 104°F/40°C) to two inches (5 cm) above the jets, add the cleansing agent, and turn on the whirlpool system for 20 minutes. Empty the bathtub. Use cold water to rinse, turning the system back on for 20 minutes, while keeping the air controls turned off.

Important Tip Use therapeutic products with **caution** such as bath oils, salts and bubble bath. They may damage your tub's system and finish, especially when applied non-diluted and directly in the bath. Read directions on these products closely and, if needed, test prior to use.

TERMS, CONDITIONS AND WARRANTIES

Price

Orders are accepted subject to prices in effect at the time of shipment of this price list and prices are subject to change without notice. The published pricing schedule shows suggested list prices and is subject to a trade discount as determined by MAAX Bath Inc. (hereafter "MAAX"). Orders will be invoiced at the price in effect at the time the orders are placed. Selling prices may be readjusted without notice during the year, for instance if transportation costs increase due to fuel surcharges.

Conditions of acceptance

The acceptance, shipment or delivery of any order is conditional upon approval of MAAX's credit department and upon these sales terms and conditions applying to the order and not any others, unless specifically agreed to in writing by MAAX. MAAX reserves the right to require satisfactory security for performance of the purchaser obligations prior to making shipment on any order. Any sold merchandise remains the property of MAAX until full payment is received, in accordance with applicable laws, such as the Uniform Commercial Code —Sales in the United States.

Terms of payment

General payment terms are net 30 days. A rate of 2% monthly (26.82% per annum, compounded monthly) will apply on overdue accounts. No goods will be delivered to customers not complying with our sales and payment conditions.

Taxes

All prices published are exclusive of applicable taxes.

Lost merchandise

If, upon receipt, the recipient notices that certain products are missing, he must immediately notify our customer service department. The recipient must then indicate which products are missing on the delivery slip and countersign it. The enclosed bill of lading allows you to verify shipped and received merchandise.

Shipping damage

Damage occurring in transit is the responsibility of the carrier. MAAX will not be held responsible for shipping damage. The product should be carefully examined by the user or installer at time of receipt to ensure it is damage free. If any damage is discovered, it should be noted on the freight bill, and a claim should be filed against the carrier as soon as possible. Inspection of the unit prior to installation is the responsibility of the installer or building contractor who acts on behalf of the user, or the user himself. They are responsible for ensuring that the unit is free of defect or damage. In the event of a problem, the unit must not be installed. MAAX is not responsible for failures, costs, damages or claims that could have been discovered, repaired or avoided by proper inspection and testing prior to installation.

Return Policy

MAAX provides a selective and conditional merchandise return program. Product may be returned to MAAX under the following conditions:

- Product is in original, new condition – not previously installed or used as display;
- Product has been in the customer's possession for less than 6 months (12 months for shower doors);
- Product is still available in the most current price list (not discontinued) or has not been announced for discontinuation;
- Product is considered a Standard Unit. A standard unit can be described as all white units, without systems, accessories or options;
- Product was received in error, does not represent what the customer ordered or has a manufacturing defect.

Products are not eligible for return to MAAX under the following conditions:

Product has been previously installed, drilled, permanently marked, spray painted, or in any other way altered from its original condition. Product is "weathered" degraded due to storage outside or exposure to the elements resulting in discoloration;

- Product is defective due to negligent storage; or
- Product is equipped with any accessories or options.

Prior to returning merchandise a MAAX customer must complete and submit the RGA Request Form supplying general and specific information about the unit(s) for return. MAAX must then authorize and approve the return in writing by issuing an RGA number.

All products are subject to inspection prior to credit reimbursement, and MAAX reserves its right to reduce such reimbursement as follows:

- MAAX will apply a 25% restocking fee against the reimbursement credit for all returns for any reason other than manufacturing defect or MAAX error.
- A repair cost will be applied against the credit reimbursement for any repair required to bring a product back to 100% resalable condition. In these circumstances the customer will be notified.

Any unit returned via common carrier must have the freight prepaid by the customer.

For any product returned that does not qualify for return as specified above or does not match the RGA form, MAAX will charge a \$25 per unit handling fee. MAAX will notify customers in such instances and the customer will be requested to either take the unit back with freight prepaid and charged or notify MAAX in writing of their desire that it be scrapped.

Cancellation

Orders must be cancelled within 24 hours of receipt of MAAX's confirmation. All cancellation requests must be made by fax and be confirmed by MAAX. Any modifications or cancellations of Standard Units submitted AFTER the order confirmation may be subject to the following:

- 1) a 25% administration fee
- 2) the full cost of the original units that were changed or modified after 24 hour period as well as the cost of any units

Design and dimensions

MAAX reserves the right to discontinue products at any time or change specifications and/or design without notice and without incurring obligation. All dimensions are approximate and subject to change without notice. CLIENT SHALL INFORM OWNER/END-USER ABOUT THE FOLLOWING CONDITIONS AND WARRANTIES

Colour variations

MAAX shall not be responsible for variations in granite colour, wood grain, or colour shades in the natural wood used; or for slight differences in colour or texture of the material delivered in relation to the sample shown or provided to the purchaser. The purchaser may not use such differences to obtain a price discount or to cancel the order.

Maintenance

Regular disinfection provides an effective defense against various types of bacteria that can develop in the deposits building up over time in all bathtubs and showers. For daily maintenance cleaning, use a moist cloth and gentle liquid detergent. For acrylic surfaces, occasional use of a special acrylic surface cleaner such as Lumashine or Lumacream will add luster and protect the finish.

Certain types of therapeutic products when added to bath water, or if applied non-diluted directly in the bath, may damage the unit finish. Test the product on a small inconspicuous surface prior to use.

Do not use abrasive cleaners, scrapers, metal brushes, or any items or products that could scratch or dull the surface. Mirror should be cleaned with non-ammonia based cleaner only.

Limited warranty

MAAX offers the following express limited warranties on its products. These warranties extend only to the original owner/end-user for personal household use and start from the manufacturing date of the unit. For commercial uses, additional limitations apply. MAAX warrants acrylic units to be free from defects in workmanship and materials under normal use and service for a period of twenty five (25) years from the initial date of purchase by the owner/end-user, contractor or builder from an authorized dealer.

MAAX warrants acrylic shower kits to be free from defects in workmanship and materials under normal use and service for a period of ten (10) years from the initial date of purchase by the owner/end-user, contractor or builder from an authorized dealer.

MAAX warrants **fibreglass units** to be free from defects in workmanship and materials under normal use and service for a period of five (5) years from the initial date of purchase by the owner/end-user, contractor or builder from an authorized dealer.

MAAX warrants **ABS** to be free from defects in workmanship and materials under normal use and service for a period of three (3) years from the initial date of purchase by the owner/end-user, contractor or builder from an authorized dealer.

MAAX warrants **polystyrene** shower kits, tub wall kits, utility tubs and accessories to be free from defects in workmanship and materials under normal use and service for a period of one (1) year from the initial date of purchase by the owner/end-user, contractor or builder from an authorized dealer.

MAAX warrants **whirlpool motors/pumps** to be free from defects in workmanship and materials under normal use and service for a period of five (5) years from the initial date of purchase by the owner/end-user, contractor or builder from an authorized dealer.

MAAX warrants **blowers** to be free from defects in workmanship and materials under normal use and service for a period of five (5) years from the initial date of purchase by the owner/end-user, contractor or builder from an authorized dealer.

MAAX warrants **whirlpool and air systems** (except perimeter air system check valves that have a 25-year warranty – see below) to be free from defects in workmanship and materials under normal use and service for a period of two (2) years from the initial date of purchase by the owner/end-user, contractor or builder from an authorized dealer.

MAAX warrants **perimeter air system check valves** to be free from defects in workmanship and materials under normal use and service for a period of twenty five (25) years from the initial date of purchase by the owner/end-user, contractor or builder from an authorized dealer.

MAAX warrants **shower doors** to be free from defects in workmanship and materials under normal use and service for a period of ten (10) years from the initial date of purchase by the owner/end-user, contractor or builder from an authorized dealer. Shower door sealing materials and gaskets are not covered by this warranty.

MAAX warrants **grab bars** to be free from defects in workmanship and materials under normal use and service for a period of one (1) year from the initial date of purchase by the owner/end-user, contractor or builder from an authorized dealer.

TERMS, CONDITIONS AND WARRANTIES (cont'd)

MAAX warrants **ceramic cartridges** for faucets against any leaks resulting from normal use by the owner/end-user, contractor or builder for a limited lifetime period.

MAAX warrants **thermostatic polysulfone cartridges** to be free from defects in workmanship and materials under normal use and service for a lifetime warranty from the initial date of purchase by the owner/end-user, contractor or builder from an authorized dealer.

MAAX warrants **shower massage systems** to be free from defects in workmanship and materials under normal use and service for a period of five (5) years from the initial date of purchase by the owner/end-user, contractor or builder from an authorized dealer.

MAAX warrants **steam systems** to be free from defects in workmanship and materials under normal use and service for a period of five (5) years, and steam nozzles for two (2) years, from the initial date of purchase by the owner/end-user, contractor or builder from an authorized dealer.

MAAX warrants **Chrome, Polished Brass and Brushed Nickel faucet finishes** to be free from defects in workmanship and materials under normal use and service by the owner/end-user, contractor or builder for lifetime warranty from the initial date of purchase.

MAAX warrants **medicine cabinets** to be free from defects in workmanship and materials under normal use and service for a period of five (5) years from the initial date of purchase by the owner/end-user, contractor or builder from an authorized dealer.

MAAX warrants **fiberglass units** to be free from defects in workmanship and materials under normal use and service for a period of five (5) years from the initial date of purchase by the owner/end-user, contractor or builder from an authorized dealer.

MAAX warrants **ABS** to be free from defects in workmanship and materials under normal use and service for a period of three (3) years from the initial date of purchase by the owner/end-user, contractor or builder from an authorized dealer.

MAAX warrants **polystyrene** shower kits, tub wall kits, utility tubs and accessories to be free from defects in workmanship and materials under normal use and service for a period of one (1) year from the initial date of purchase by the owner/end-user, contractor or builder from an authorized dealer.

MAAX warrants **whirlpool motors/pumps** to be free from defects in workmanship and materials under normal use and service for a period of five (5) years from the initial date of purchase by the owner/end-user, contractor or builder from an authorized dealer.

MAAX warrants **blowers** to be free from defects in workmanship and materials under normal use and service for a period of five (5) years from the initial date of purchase by the owner/end-user, contractor or builder from an authorized dealer.

MAAX warrants **whirlpool and air systems** (except perimeter air system check valves that have a 25-year warranty – see below) to be free from defects in workmanship and materials under normal use and service for a period of two (2) years from the initial date of purchase by the owner/end-user, contractor or builder from an authorized dealer.

MAAX warrants **perimeter air system check valves** to be free from defects in workmanship and materials under normal use and service for a period of twenty five (25) years from the initial date of purchase by the owner/end-user, contractor or builder from an authorized dealer.

MAAX warrants **shower doors** to be free from defects in workmanship and materials under normal use and service for a period of ten (10) years from the initial date of purchase by the owner/end-user, contractor or builder from an authorized dealer.

MAAX warrants **grab bars** to be free from defects in workmanship and materials under normal use and service for a period of one (1) year from the initial date of purchase by the owner/end-user, contractor or builder from an authorized dealer.

MAAX warrants **ceramic cartridges** for faucets against any leaks resulting from normal use by the owner/end-user, contractor or builder for a limited lifetime period.

MAAX warrants **thermostatic polysulfone cartridges** to be free from defects in workmanship and materials under normal use and service for a lifetime warranty from the initial date of purchase by the owner/end-user, contractor or builder from an authorized dealer.

MAAX warrants **shower massage systems** to be free from defects in workmanship and materials under normal use and service for a period of five (5) years from the initial date of purchase by the owner/end-user, contractor or builder from an authorized dealer.

MAAX warrants **steam systems** to be free from defects in workmanship and materials under normal use and service for a period of five (5) years, and steam nozzles for two (2) years, from the initial date of purchase by the owner/end-user, contractor or builder from an authorized dealer.

MAAX warrants **Chrome, Polished Brass and Brushed Nickel faucet finishes** to be free from defects in workmanship and materials under normal use and service by the owner/end-user, contractor or builder for lifetime warranty from the initial date of purchase.

MAAX warrants **medicine cabinets** to be free from defects in workmanship and materials under normal use and service for a period of five (5) years from the initial date of purchase by the owner/end-user, contractor or builder from an authorized dealer.

MAAX warrants **storage modules** and vanities to be free from defects in workmanship and materials under normal use and service for a period of five (5) years from the initial date of purchase by the owner/end-user, contractor or builder from an authorized dealer.

MAAX warrants **glass mirrors** to be free from defects in workmanship and materials under normal use and service for a period of two (2) years from the initial date of purchase by the owner/end-user, contractor or builder from an authorized dealer.

MAAX warrants **electrical components**, including chromotherapy systems, to be free from defects in workmanship and materials under normal use and service for a period of two (2) years from the initial date of purchase by the owner/end-user, contractor or builder from an authorized dealer.

MAAX warrants the **factory treated wood parts** to be free from defects in workmanship and materials under normal use and service for a period of two (2) years from the initial date of purchase by the owner/end-user, contractor or builder from an authorized dealer.

Any product reported to the authorized dealer or to MAAX as being defective within the warranty period will be repaired or replaced (with a product of equal value) at the option of MAAX. Costs for freight associated with shipping of replacement product/parts might be charged to customer. In no event will MAAX be liable for the cost of repair or replacement of any installation materials, including but not limited to, tiles, marble, etc. This warranty extends to the original owner/end-user and is not transferable to a subsequent owner.

Neither the distributor, authorized MAAX dealer nor any other person has been authorized to make any affirmation, representation or warranty other than those contained in this warranty shall not be enforceable against MAAX or any other person.

MAAX reserves the right to modify this warranty at any time, it being understood that such modification will not alter the warranty conditions applicable at the time of the sale of the products in question.

Limitations

This warranty shall not apply following incorrect operating procedures, breakage or damages caused by normal wear and tear, fault, carelessness, abuse, misuse, misapplication, improper maintenance, alteration or modification of the unit, as well as chemical or natural corrosion, accident, fire, flood, act of God or any other casualty. This warranty shall not apply to stain or malfunction caused by ferrous water, hard water or salty water.

The owner/end-user of the product covered by this warranty is entirely responsible for its proper installation and electrical wiring. This warranty is void if unit is not tested prior to final enclosure as per the installation instructions. MAAX neither installs nor supervises the installation, nor hires a contractor for this purpose, and consequently cannot be held responsible for any defect, breakage or damage caused thereby or resulting thereof, either directly or indirectly.

The owner/end-user must provide access to the components of the product as described in the installation guide, so that MAAX can execute the warranty specified herein. If such access is not available, all expenses to provide said access will be the responsibility of the owner/end-user.

This warranty does not apply to products or equipment not installed or operated in accordance with instructions supplied by MAAX and all applicable rules, regulations and legislation pertaining to such installations.

MAAX strongly recommends that its products—for example, but without limitation, shower doors and other items—be installed by professionals with experience in bathroom products. Installation of shower doors by an inexperienced person may result in glass breakage and, consequently, cause personal injury or death.

MAAX is not liable for any costs, damages or claims resulting from the purchase of products that do not fit through openings or existing structures. MAAX is not liable for any costs, damages or claims resulting from defects that could have been discovered, repaired or avoided by inspection and testing prior to installation.

MAAX is not liable for personal injuries or death to any person or for any direct, special, incidental or consequential damage, loss of use, loss of time, loss of profits, inconvenience, incidental expenses, labor or material charges, or any other costs resulting from the use of its products or pertaining to the application of the present warranty, or resulting from the removal or replacement of any product or element or part covered by this warranty.

EXCEPT AS OTHERWISE PROVIDED ABOVE, MAAX MAKES NO WARRANTIES, EXPRESS OR IMPLIED, INCLUDING WARRANTIES OF MERCHANTABILITY AND FITNESS FOR A PARTICULAR PURPOSE OR COMPLIANCE WITH ANY CODE.

In any case, MAAX cannot be liable for any amount over and above the purchase price paid for the product by the owner/end-user, contractor or builder. All options that are not sold separately as accessories must be factory installed. Otherwise, warranty does not apply.

This warranty gives the owner/end-user specific legal rights. The owner/end-user may also have other rights which vary from one state and/or province to another.

TERMS, CONDITIONS AND WARRANTIES (cont'd)

Commercial Limitations

In addition to the above conditions and limitations, the warranty period for products installed for commercial applications or used in commercial ventures is of one (1) year from the initial date of purchase by the owner/end-user, contractor or builder from an authorized dealer. If the product is sold by MAAAX as a display, MAAAX standard warranty applies.

Warranty Service

In order to obtain service provided under this warranty during regular business hours, contact the dealer or distributor who sold the unit, or MAAAX directly. MAAAX will provide the warranty service described above when the following conditions have been met:

- (1) the failure is of the nature or type covered by the warranty;
- (2) the user has informed an authorized MAAAX Agent or Warranty Service Department representative, of the nature of the problem during the warranty period;
- (3) conclusive evidence (e.g., serial number or proof of purchase) is provided to the foregoing by the user proving that the failure occurred or was discovered within the warranty period; and
- (4) an authorized independent service person or company representative has been permitted to inspect the product during regular business hours within a reasonable time after the problem was reported by the user.

MAAX's warranty obligation shall be discharged upon tender of replacement or repair. The purchaser refusal to accept the tender terminates MAAAX's warranty obligation. Any product replaced or repaired during the warranty period will be covered during the remaining period of the original warranty.

MAAX products are certified by one or more of the following certification agencies: UL, IAPMO, INTERTEK (ETL) and WARNOCK HERSEY. Certain models are pending certification approval. Certification may be ended by MAAAX or certification agencies without notice.



The symbol ® / R indicates a registered trademark of MAAAX Bath Inc. or an affiliated company. The symbol TM indicates a trademark of MAAAX Bath Inc. or an affiliated company.

© MAAAX Bath Inc., 2011



SERVICE REQUEST FORM

MAAX US CORP / TECHNICAL SERVICES DEPARTMENT

718 Mid-Atlantic Parkway
Martinsburg, WV 25404
Fax: (304) 263-2379
AkerTechnicalServices@Maax.com

IMPORTANT INSTRUCTIONS

WHEN REQUESTING UNIT SERVICE

- 1. CONFIRM PRODUCT IDENTITY PRIOR TO SUBMITTING SERVICE FORM.**
Confirm the unit to be serviced is a MAAX product. If a service technician or agency is dispatched and finds the unit not to be a MAAX product, service will NOT be performed and a charge will be assessed for the appointment.
- 2. REVIEW & FILL IN THE FORM INFORMATION REQUESTED.**
Fill out the request form completely and legibly. Incomplete forms will NOT be processed and will automatically be returned. No action will occur until a properly completed form is received.
- 3. FAX THE COMPLETED FORM TO THE MAAX SERVICE DEPARTMENT.**
Keep original form for your records.
- 4. A PURCHASE ORDER NUMBER MUST ACCOMPANY EACH SERVICE DEPARTMENT.**

AT THE TIME OF SCHEDULED SERVICE

- A. THE UNIT SURFACE MUST BE CLEAN.**
Surface repairs CANNOT be made on a dirty surface. Service technician or agency are not responsible for general surface cleaning of the unit prior to repair.
- B. ELECTRIC SERVICE MUST BE AVAILABLE AT THE UNIT SITE.**
Service technician or agency require electrical power to connect work lights, handheld tools and testing equipment for various service tasks.
- C. AIR TEMPERATURE MUST BE AT LEAST 65 DEGREES AT THE UNIT SITE.**
Materials used in the repair process will not cure properly below 65 degrees.

PLEASE MAKE COPIES FOR FUTURE REPAIRS THAT ARE NEEDED.





MAAX RETURN GOODS AUTHORIZATION (RGA) POLICY

RETURN GUIDELINES

MAAX provides a selective and conditional merchandise return program. Product may be returned to MAAX under the following conditions:

- Product is in original, new condition – not previously installed or used as display.
- Product has been in the customer's possession for less than 6 months.
- Product is still available in the most current price list (not discontinued) or has not been announced for discontinuation
- Product is in a standard color or finish, as indicated in the most current price list.
- Any stock product may be returned. To know if a product is a stock unit, please contact the customer service department.
- Product was received in error or does not represent what the customer ordered.
- Product has a manufacturing defect.

Products **are not eligible** for return to MAAX under the following conditions:

- Product has been previously installed, drilled, permanently marked, spray painted, or in any other way altered from its original condition. Removable grease pencil is permitted.
- Product is "weathered"; degraded due to storage outside or exposure to the elements resulting in discoloration
- Product is defective due to negligent storage.
- Product is in a non-standard color or equipped with any accessories or options.

RETURN CONDITIONS

- Prior to returning merchandise a MAAX customer must complete and submit the RGA Request Form supplying general and specific information about the unit(s) for return. MAAX must then authorize and approve the return in writing by issuing an RGA number.
- All products are subject to inspection prior to credit reimbursement.
- MAAX will apply a 25% restocking fee against the reimbursement credit for all returns for any reason other than manufacturing defect or MAAX error.
- A repair cost will be applied against the credit reimbursement for any repair required to bring a product back to 100% resalable condition. In these circumstances the customer will be notified.
- Any unit returned via common carrier must have the freight prepaid by the customer.
- For any product returned that does not qualify for return as specified above or does not match the RGA form, MAAX will charge a \$25 per unit handling fee. MAAX will notify customers in such instances and the customer will be requested to either take the unit back with freight prepaid and charged or notify MAAX in writing of their desire that it be scrapped.



RGA/DA REQUEST FORM

DATE :	MAAX REPRESENTATIVE :
--------	-----------------------

MAAX maintains the privilege of inspecting all units before making a final decision on returning product. This is to be carried out by a MAAX representative of our choice. Any unit found to be repairable will be so at the discretion of the MAAX representative.

CUSTOMER INFORMATION	
CONTACT	BUSINESS NAME
PHONE	PICK UP ADDRESS (LOCATION)
FAX	

Prior to shipping, the damage/defect must be indicated on the unit in grease pencil. If the product arrives in our distribution centre with damage other than that indicated in grease pencil, it will be repaired or returned and the cost charged back to the returning customer.

PRODUCT INFORMATION

All fields in this section are REQUIRED. This section must be filled out in full before an RGA or credit can be issued.

QTY	MODEL	ORIGINAL PO NUMBER	SERIAL NUMBER (where available)
DESCRIPTION / REASON FOR RETURN / DESCRIPTION OF DEFECT, IF APPLICABLE			Invoice
DESCRIPTION / REASON FOR RETURN / DESCRIPTION OF DEFECT, IF APPLICABLE			Invoice
DESCRIPTION / REASON FOR RETURN / DESCRIPTION OF DEFECT, IF APPLICABLE			Invoice

TERMS AND CONDITIONS

RETURN UNIT - IN 100% RESELLABLE CONDITION - IN THE ORIGINAL SEALED PACKAGE
Returns or destructions of multiple units will be subject to additional levels of MAAX approval

RETURN UNIT – MANUFACTURING DEFECT – Plant manager must be advised of 3 or more units returned for the same reason

DESTROY ON SITE All destructions must be performed by a MAAX representative or authorized alternative

DEBIT NOTE (if applicable) _____

- All products being returned for any reason other than manufacturing defects will be subject to a 25% restocking fee. This fee does not include transportation.
- All returned merchandise will be considered the property of the customer until an evaluation concerning the condition and potential fitness of the merchandise can be completed, and the account notified regarding the results.
- All products are subject to inspection prior to credit reimbursement
- A repair cost will be applied against the credit reimbursement for any repair required to bring a product back to 100% resalable condition. In these circumstances the customer will be notified.

Client Signature	Date	MAAX Rep. Initials
------------------	------	-----------------------

Please sign above acknowledging that all of the information given is correct and that all the terms/conditions have been read, are understood and accepted by the client.

This authorization is valid for 45 days from the date at the top of the form. A confirmation of receipt of this request with a MAAX authorization number will be sent to you within 1 business day.

Please include a copy of the confirmation in the packing slip envelope of the returned article to identify the product at the MAAX warehouse upon arrival.

Numeric Index

MULTI-PIECE UNITS

MODEL NUMBER	LIST PRICE	PAGE
141014-S	\$ 1,814	53
141047	\$ 683	51
141048-S	\$ 1,376	60
141051-S	\$ 1,440	58
141054-S	\$ 1,745	56
141059	\$ 1,487	62
142000	\$ 855	34
142006	\$ 909	31
142012	\$ 953	28
142018	\$ 677	48
142024	\$ 753	45
142030	\$ 841	42
142036	\$ 957	39
142042	\$ 1,041	36

ONE-PIECE BATHTUBS

MODEL NUMBER	LIST PRICE	PAGE
141077	\$ 343	120
141078	\$ 345	116
141079	\$ 602	110
141080	\$ 638	98
141081	\$ 709	128
141082	\$ 570	88
141083	\$ 641	84
141084	\$ 641	86
141085	\$ 888	142
141086	\$ 741	172
141087	\$ 895	170
141088	\$ 602	112
141089	\$ 638	100
141092	\$ 714	82
141095	\$ 709	130
141096	\$ 835	138
141097	\$ 835	140
141098	\$ 840	168
141099	\$ 602	108
141100	\$ 828	164
141101	\$ 638	96
141102	\$ 1,012	160
141103	\$ 727	92
141104	\$ 906	154
141105	\$ 714	80
141106	\$ 1,136	150
141107	\$ 1,130	148
141108	\$ 921	78
141109	\$ 1,137	176
141110	\$ 925	124
141111	\$ 1,024	180
141112	\$ 709	126
141113	\$ 1,117	174
141114	\$ 885	122
141115	\$ 1,394	146
141116	\$ 1,395	144
141118	\$ 835	134
141119	\$ 1,130	182
141120	\$ 838	136
141121	\$ 912	132
141137	\$ 942	166
141138	\$ 1,039	158
141139	\$ 1,097	156
141140	\$ 985	162
141141	\$ 1,166	152
141144	\$ 983	178

ONE-PIECE BATHTUBS (cont'd)

141350	\$ 420	106
141352	\$ 499	102
141354	\$ 520	94
141482	\$ 570	90
142002	\$ 465	118
142008	\$ 504	114
142014	\$ 568	104

ONE-PIECE TUB SHOWERS

MODEL NUMBER	LIST PRICE	PAGE
105215	\$ 709	206
141000	\$ 589	211
141002	\$ 702	203
141004	\$ 644	208
141006	\$ 965	192
141007	\$ 964	196
141008	\$ 1,027	198
141009	\$ 1,016	194
141014	\$ 1,048	222
141015	\$ 1,275	219
141132	\$ 589	215
141145	\$ 1,260	217
141185	\$ 658	213
141227	\$ 767	200

ONE-PIECE SHOWERS

MODEL NUMBER	LIST PRICE	PAGE
141021	\$ 566	267
141022	\$ 566	261
141024	\$ 621	265
141025	\$ 630	253
141026	\$ 645	245
141027	\$ 630	243
141029	\$ 723	237
141031	\$ 697	249
141032	\$ 797	239
141033-L/R	\$ 636	241
141035-L/R	\$ 681	247
141036-R/L	\$ 748	235
141038	\$ 633	269
141039	\$ 706	273
141040	\$ 706	271
141041	\$ 638	275
141048	\$ 912	291
141050	\$ 1,195	289
141051	\$ 946	287
141053	\$ 1,241	285
141054	\$ 1,052	281
141055	\$ 1,329	279
141056	\$ 1,208	295
141057	\$ 1,329	297
141134	\$ 594	259
141135	\$ 612	251
141146	\$ 1,195	293
141147	\$ 1,266	283
141148	\$ 1,380	277
141157	\$ 573	255
141158	\$ 588	257
141186	\$ 625	263

Numeric Index (cont'd)

SHOWER BASES

MODEL NUMBER	LIST PRICE	PAGE
141069	\$ 256	322
141070	\$ 272	320
141071	\$ 280	318
141072	\$ 287	314
141073	\$ 321	310
141074	\$ 335	306
141075	\$ 270	332
141076	\$ 270	328
141365	\$ 509	324
142020	\$ 236	330
142026	\$ 271	326
142032	\$ 475	316
142038	\$ 551	312
142044	\$ 617	308

CODE COMPLIANT SERIES

MODEL NUMBER	LIST PRICE	PAGE
141271	\$ 858	366
141287	\$ 974	359
141294	\$ 956	353
141309	\$ 845	346
141321	\$ 878	362
141329	\$ 994	356
141336	\$ 976	350

GENERATION + SERIES

MODEL NUMBER	LIST PRICE	PAGE
141284	\$ 838	389
141285	\$ 862	386
141286	\$ 886	383
141301	\$ 933	380
141302	\$ 1,050	377

EXPERIENCE A GREENER MAAX®

The environment is important to all of us. In our continued effort to **reduce our carbon footprint**, we have decided to slightly reduce the weight of our paper used in our Collection Series Price Lists. Therefore, we are pleased to announce that this effort will have a positive reduction of:

151 mature trees  **50 814 kg CO2**  **168 632 gallons of water** ¹

This North-American produced paper is certified FSC®. FSC® certification guarantees that all fibres used come from renewable sources and meet the highest international standards. With your cooperation and understanding, through a simple gesture, it is quite impressive to see how we can all contribute improving our environment.

We also invite you to use our electronic documents and don't forget to recycle your 2012 and 2013 lists! No matter how small the effort, it makes a difference!



Sources Mixtes

www.fsc.org Cert no. XXX-XXX-XXXX
© 1996 Forest Stewardship Council

JOIN US AT MAAX.COM

www.maax.com is an essential and inspiring source of information.

In addition to finding all the products and therapeutic system details included in this book, our website offers design tips, and other useful sections such as a press room, technical support and where to buy.

Download technical drawings, installation guides, specification pages, photos and videos with one click.

Our site, constantly evolving, is your personal assistant.



¹ Environmental impact estimates were made using the Environmental Paper Network Paper Calculator Version 3.2. For more information visit www.papercalculator.org.



For any questions or comments, please contact akercustomercaare@maax.com

Technical Services

Tel: 1-800-962-2537
Fax: 1-304-263-8369
akertechnicalservices@maax.com

Customer Service

Tel: 1-800-962-2537
Fax: 1-304-263-8369
akercustomercaare@maax.com

www.akerbymax.com



EFFECTIVE MARCH 17, 2014

Printed in Canada 10052766 US0314-01

USA